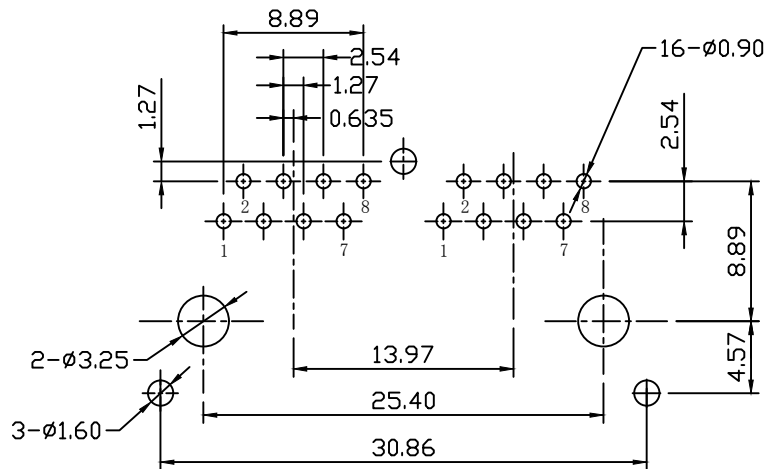
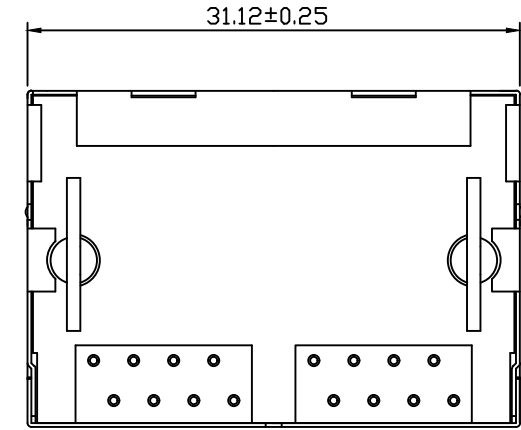
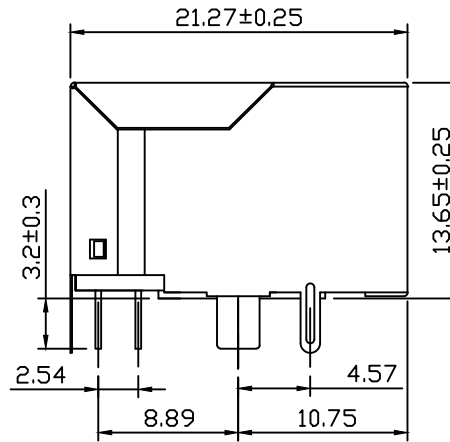
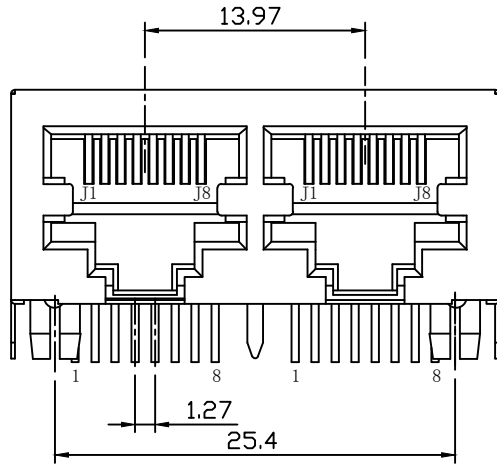


Mechanical:

REV.	ECN NO.	DESCRIPTION	DATE	APPD
A	REL		2009/12/18	



PC Board Layout (Top View)



NOTES:

Electrical:

- 1. Voltage rating : 125 VAC RMS
- 2. Current Rating : 1.5 AMP
- 3. Contact resistance : 50 mΩ Max
- 4. Insulation resistance : 500 MΩ Min @500V DC
- 5. Dielectric strength : 1000 VAC RMS 60Hz, 1MIN.

MECHANICAL:

- 1. Housing & Insert Material : PBT UL94V-0.
- 2. Contact Material : Diameter 0.46mm Phosphor Bronze
Gold Plating Over Nickel.
- 3. Shield : 0.20-0.25mm Thickness Brass With
tin Plated
- 4. Operating Life : 750 Cycles Min.

ENVIRONMENTAL:

- 1. Storage : -40°C ~ +85°C
- 2. Operation : -40°C ~ +85°C.
- 3. Wave solder temperature : 230°C to 250°C, 5~10 Sec
- 4. UL Certification : File Number E484635.

X:X ±0.25	APPD:	LINK-PP INT'L TECHNOLOGY CO., LIMITED
X:XX ±0.10	CHKD:	
X:XXX ±0.05	DR: James	TITLE: RJ45 1×2 CONNECTOR. FRONT PEG 4.57mm
ANGLES ±1°	UNIT: mm	PART NO. : LPJEF102DNL
	SCALE: 2/1	SHEET: 1/1
	REV: A	DWG NO. : LP09121815