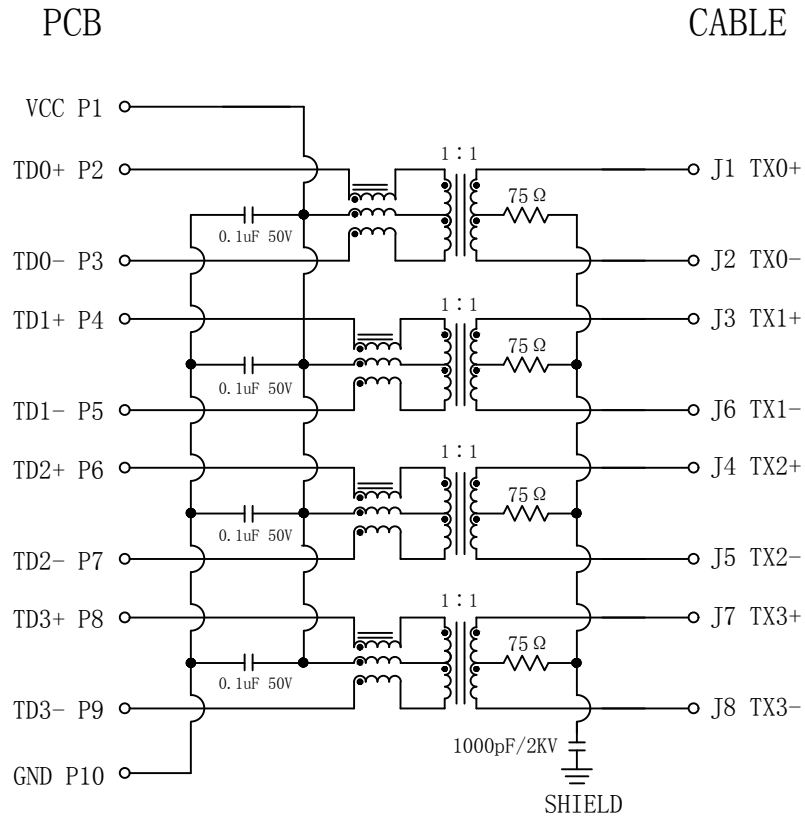


Schematic:

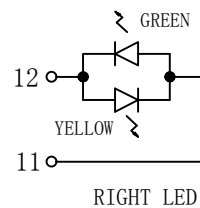
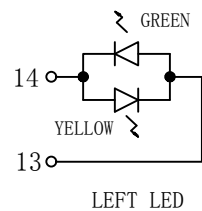
REV.	ECN NO.	DESCRIPTION	DATE	APPD
A	REL		2017/12/07	



ELECTRICAL SPECIFICATIONS@25°C

- Turn Ratio($\pm 2\%$):
Pri : Sec = 1CT : 1CT
- Inductance OCL: 350uH Min
@100KHz, 0.1V, 8mA DC Bias
- Insertion Loss:
0.5-100MHz: -1.1dB Max
- Return Loss(dB Min):
0.5-40MHz: -18
40.1-100MHz: -12-20LOG(f/80)
- Cross talk(dB Min):
0.5-40MHz: -35
40.1-100MHz: -33-20LOG(f/50)
- Common Mode Rejection RATIO(CMRR):
0.5-100MHz: -30dB Min
- Hipot Test: 1500Vrms Min
- Operating Temperature Range: 0°C TO 70°C

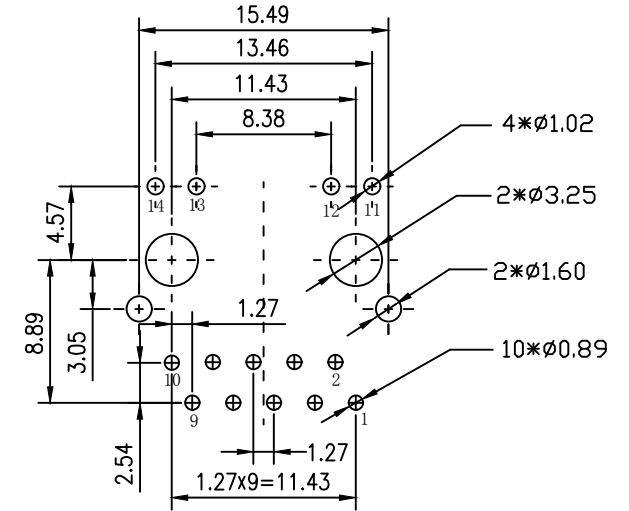
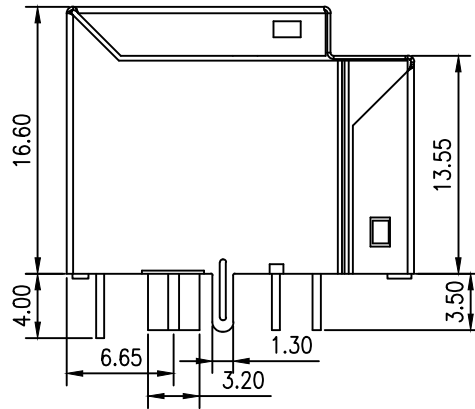
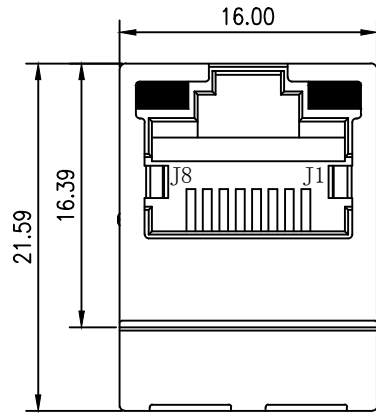
Emitting Color	λ p(nm)	VF@IF=20mA	IR @VR=5V
GREEN	565	1.8~2.4V	10 μ A max
YELLOW	585	1.8~2.4V	10 μ A max



X:X	± 0.30	APPD:	LINK-PP INT'L TECHNOLOGY CO., LIMITED
X:XX	± 0.25	CHKD:	TITLE: Vertical RJ45 Connector With 1000 Magnetic
X:XXX	± 0.05	DR: James	PART NO.: LPJD0711B4NL
ANGLES	$\pm 1^\circ$	UNIT: mm	
	SCALE: 2/1	SHEET: 1/2	REV: A
			DWG NO.: LP17120705

Mechanical:

REV.	ECN NO.	DESCRIPTION	DATE	APPD
A	REL		2017/12/07	



SUGGESTED PCB LAYOUT (TOP VIEW)

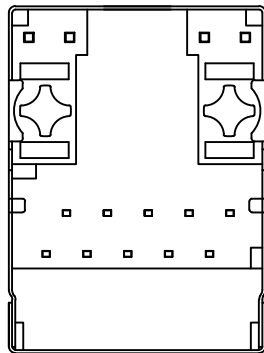


NOTES:

1. Meets IEEE 802.3 specification
2. Connector Materials:

Housing Material: Thermoplastic PBT+30%G.F UL94V-0
 Contact Material: Phosphor Bronze C5210R-EH Thickness=0.35mm
 Pins: Brass C2680R-H Thickness=0.35mm
 Shield: Copper alloy Brass H65Y Thickness=0.2mm
 Contact plating: Gold 6 micro-inches min. In contact area.

3. Wave solder tip temperature: 265°C Max, 5 Sec Max
4. UL Certification: File Number E484635.



X:X	±0.30	APPD:	LINK-PP INT'L TECHNOLOGY CO., LIMITED	
X:XX	±0.25	CHKD:	TITLE: Vertical RJ45 Connector With 1000 Magnetic	
X:XXX	±0.05	DR: James	PART NO.: LPJD0711B4NL	
ANGLES	±1°	UNIT: mm		
	SCALE: 2/1	SHEET: 2/2	REV: A	DWG NO.: LP17120705