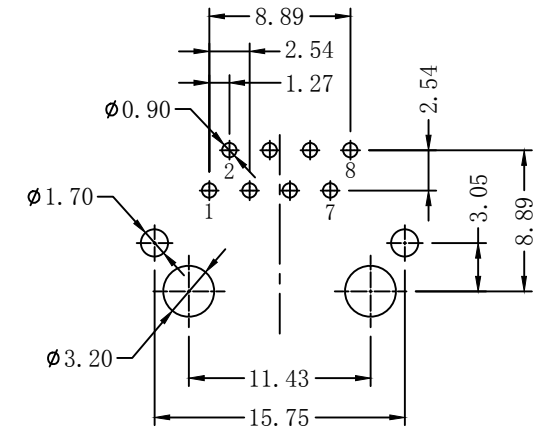
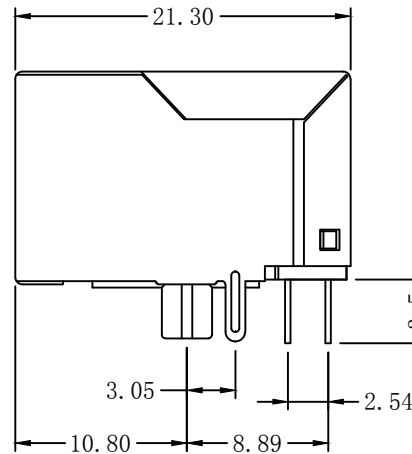
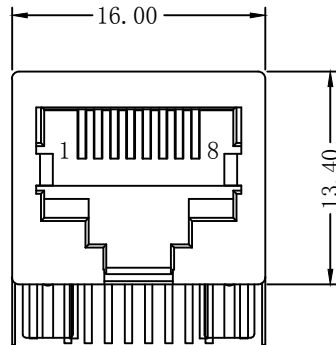
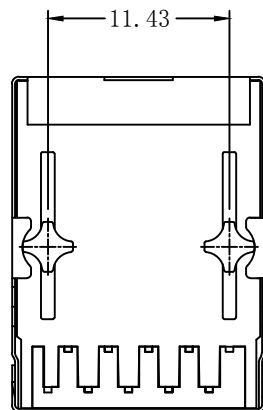


# Mechanical:

REV.	ECN NO.	DESCRIPTION	DATE	APPD
A	REL		18/03/2015	



SUGGESTED PCB LAYOUT (TOP VIEW)



## NOTES:

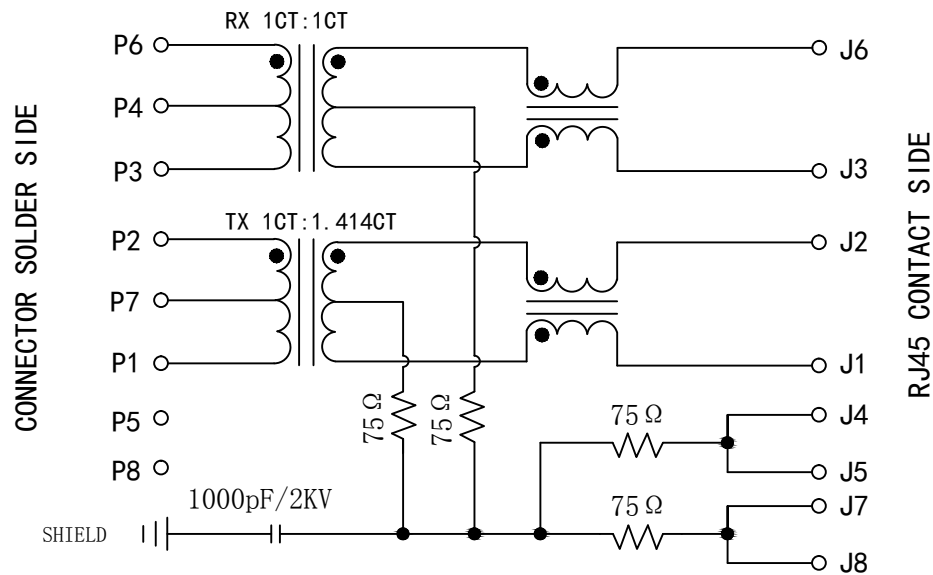
1. Designed to support application, such as SOHO (ADSL modems), LAN-on-Motherboard (LOM), hub and Switches.
2. Meets IEEE 802.3 specification
3. Connector Materials:  
 Housing: Thermoplastic UL94V-0  
 Contact/Shield: Copper alloy  
 Shield plating: Nickel  
 Contact plating: Gold 6 micro-inches min. In contact area.



X:X	±0.25	APPD:	LINK-PP INT'L TECHNOLOGY CO., LIMITED	
X:XX	±0.10	CHKD:	TITLE: RJ45 Connector With 10/100 Base-TX Integrated Magnetic	
X:XXX	±0.05	DR: C. H. Y	PART NO.: LPJ0120DNL	
ANGLES	±1°	UNIT: mm	DWG NO.: LP09070802	
	SCALE: 2/1	SHEET: 1/2	REV: A	

# Schematic:

REV.	ECN NO.	DESCRIPTION	DATE	APPD
A	REL		18/03/2015	



## Electrical Specifications @25°C

- Turns Ratio ( $\pm 5\%$ ) :  
TX=1CT:1.414CT      RX=1CT:1CT
- Return Loss(dB Min) :  
30MHz:-16      40MHz:-14  
50MHz:-13.5      60MHz:-13  
80MHz:-10
- Crosstalk:  
0.3-80MHz:-35dB Min
- Insertion Loss:  
0.3-100MHz:-1.15dB Max
- Differential to Common Mode Rejection:  
1-100MHz:-30dB Min
- Hi-Pot Isolation: 1500Vrms
- Primary OCL Inductance:  
350uH Min @ 100KHz/0.1Vrms With 8mA Bias
- Operating temperature range: 0°C ~ 70°C.



X:X	$\pm 0.25$	APPD:	LINK-PP INT'L TECHNOLOGY CO., LIMITED
X:XX	$\pm 0.10$	CHKD:	
X:XXX	$\pm 0.05$	DR: C. H. Y	TITLE: RJ45 Connector With 10/100 Base-TX Integrated Magnetic
ANGLES	$\pm 1^\circ$	UNIT: mm	PART NO.: LPJ0120DNL
	SCALE: 2/1	SHEET: 2/2	REV: A      DWG NO.: LP09070802