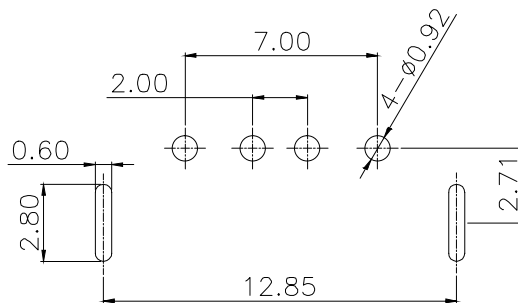
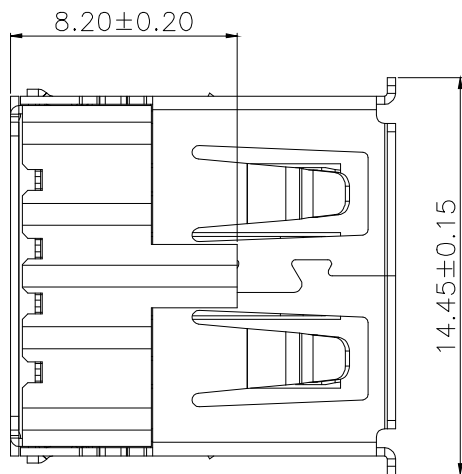
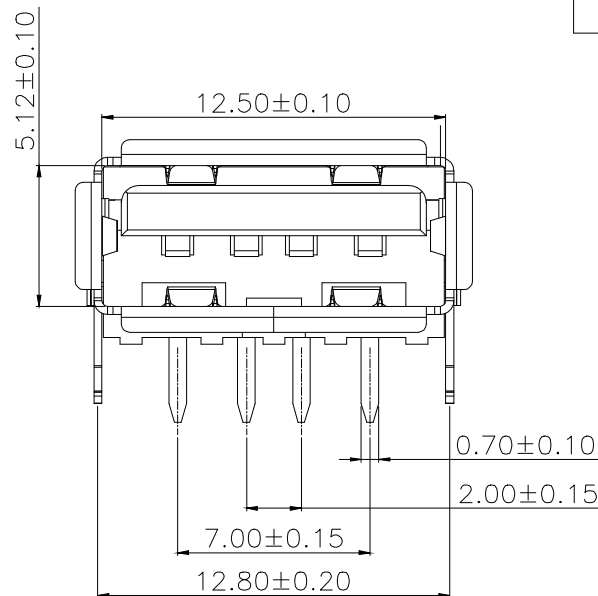
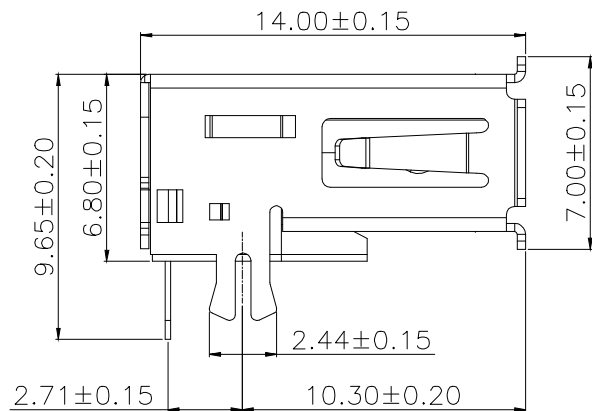


Mechanical:

REV.	ECN NO.	DESCRIPTION	DATE	APPD
A	REL		2022/07/18	



PCB.LAYOUT

TOL: ±0.05

NOTES:

1. MATERIAL:

- 1.1 Housing:thermoplastic plastics
- 1.2 terminals:Copper Alloy
Gold plated in contact area:
Tin plated in termination
Nickel Plated overall

- 1.3 Shell:Steel&Copper Alloy
Nickel Plated overall

2. ELECTRICAL CHARACTERISTICS:

- 2.1 Rating Current :1.5 Ampere
- 2.2 Rating Voltage :30 V Max
- 2.3 Contact Resistance:30 Milli ohms
- 2.4 Insulation Resistance:1000 Mega ohms Min.

3. MECHANICAL CHARACTERISTICS:

- 3.1 Connector Mating force: 35N MAX(3.57Kgf)
- 3.2 Connector Unmating force:10N min(1.02Kgf)
- 3.3 Durability:1500Cycles.

4. ENVIRONMENT CHARACTERISTICS:

- 4.1 Operating temperature:-0° C ~ +50° C
- 4.2 Storage temperature:-20° C ~ +60° C



X:X ±0.25	APPD:	LINK-PP INT'L TECHNOLOGY CO., LIMITED		
X:XX ±0.20	CHKD:	TITLE: SINGLE PORT USB AF 90° DIP		
X:XXX ±0.05	DR: LEO	PART NO. : LPUSB1121		
ANGLES ±1°	UNIT: mm			
	SCALE: 2/1	SHEET: 1/1	REV: A	DWG NO. : LP22071801