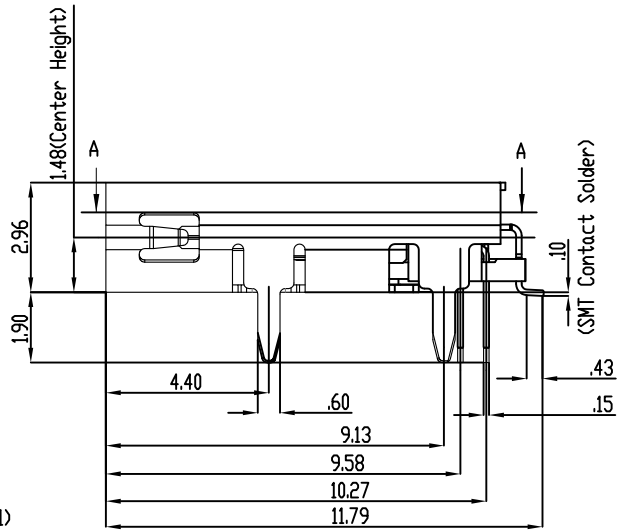
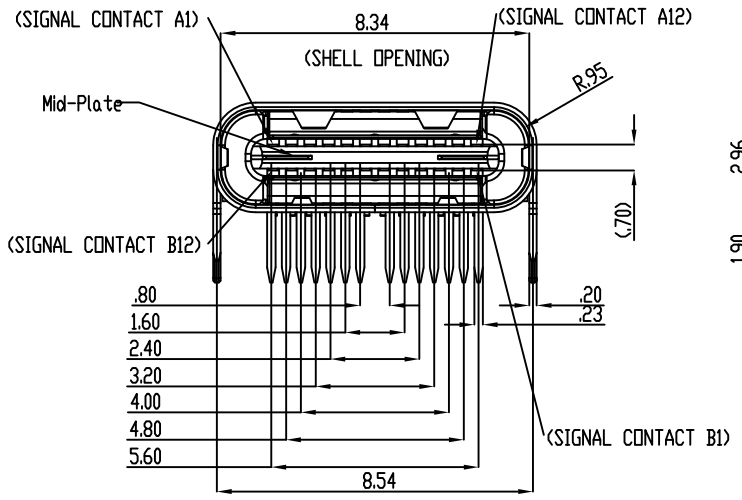
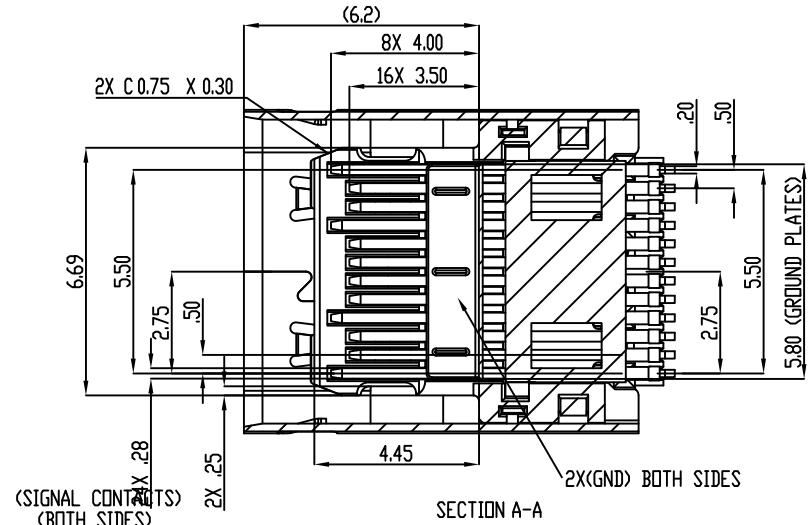
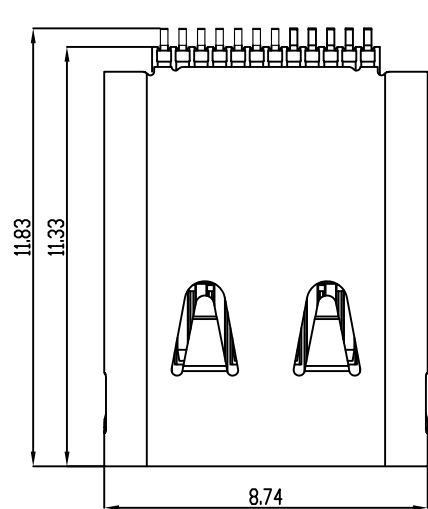


Mechanical:

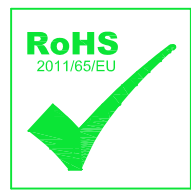
REV.	ECN NO.	DESCRIPTION	DATE	APPD
A	REL		2017/01/13	



SPECIFICATION
MATERIAL
 Insulator: Thermoplastic, Black
 Contacts: BRASS
 Shell: Stainless Steel
CONTACT PLATING
 Underplate: 40u"~80u" Nickel
 Contact area: 30u" Pd-Ni+2u" Selective gold,
 Solder tails area: 100u"~200u" Tin (Lead Free)
ELECTRICAL
 Operation voltage: 20 V
 Current rating: 5 Amps max.
 Insulation resistance: 100 Mohms min @ 100 VDC
 Dielectric withstanding voltage: 100 VAC / minute
 Temperature range: -40° C TO +105° C
 Mating cycles: 10,000 insertions

Part no.

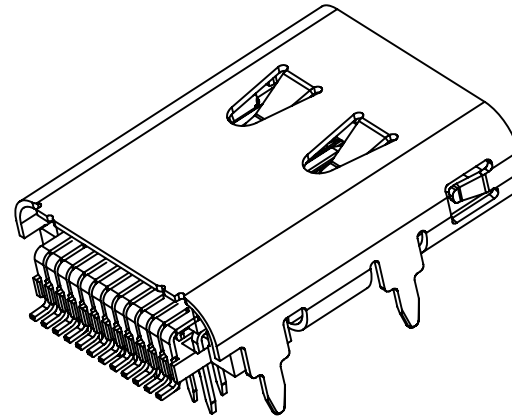
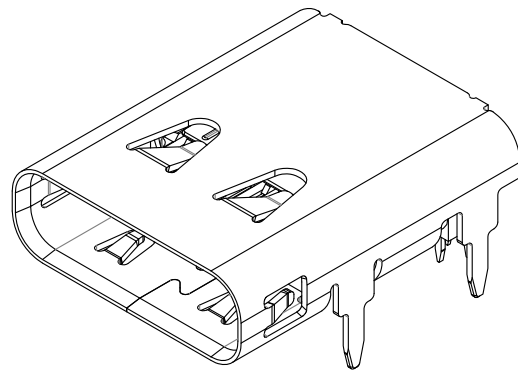
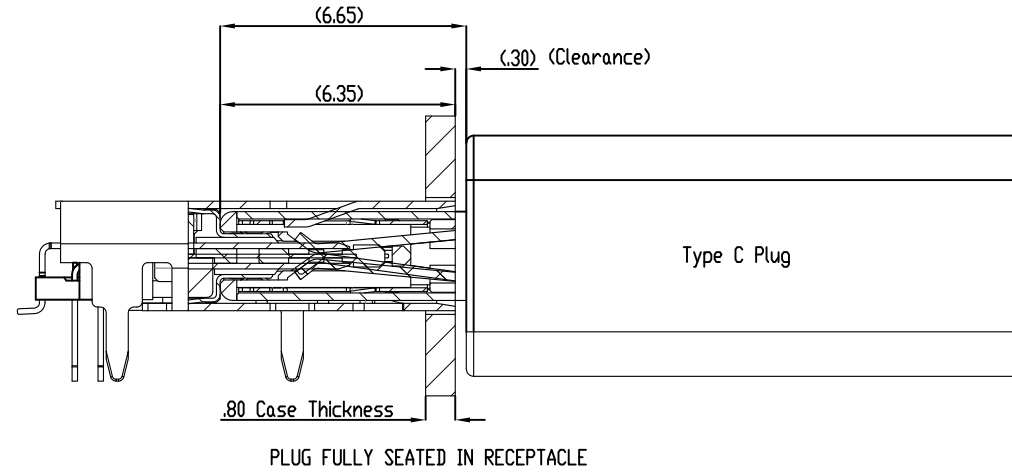
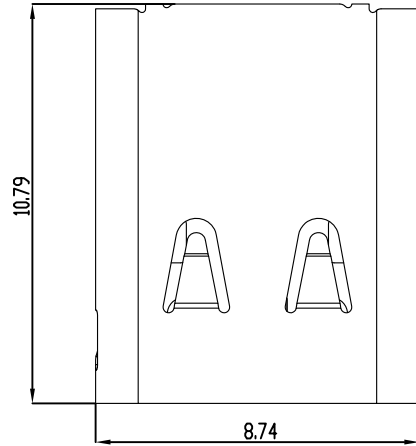
	PCB 1.0mm	PCB 1.6mm
DIM-A	1.50mm	1.90mm



X:X ±0.30	APPD:	LINK-PP INT'L TECHNOLOGY CO., LIMITED
X:XX ±0.25	CHKD:	
X:XXX ±0.05	DR: James	TITLE: USB TYPE C Receptacle (W/O Rear Cover Type)
ANGLES ±1°	UNIT: mm	PART NO.: LPUSB1078
	SCALE: 2/1	SHEET: 1/3
	REV: A	DWG NO.: LP17011310

Mechanical:

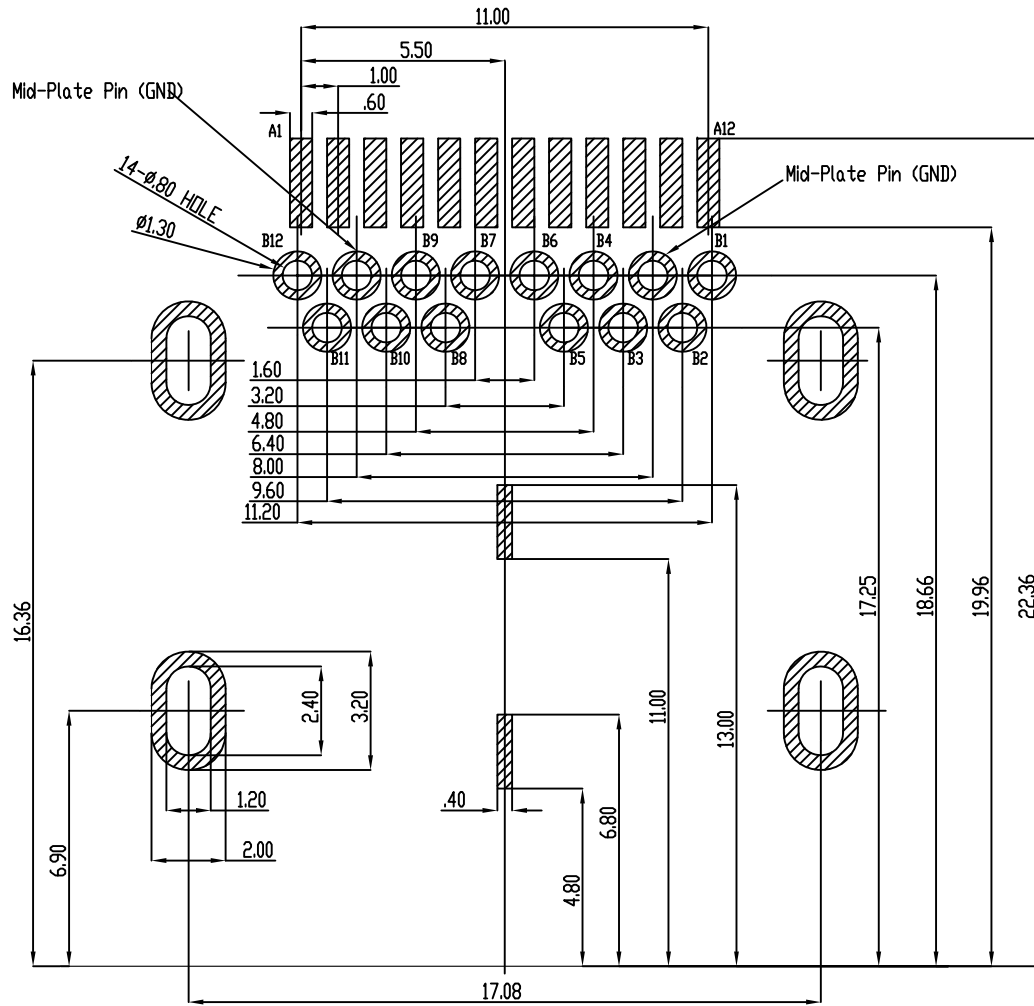
REV.	ECN NO.	DESCRIPTION	DATE	APPD
A	REL		2017/01/13	



X:X	±0.30	APPD:	LINK-PP INT'L TECHNOLOGY CO., LIMITED
X:XX	±0.25	CHKD:	
X:XXX	±0.05	DR: James	TITLE: USB TYPE C Receptacle (W/O Rear Cover Type)
ANGLES	±1°	UNIT: mm	PART NO.: LPUSB1078
	SCALE: 2/1	SHEET: 2/3	REV: A
			DWG NO.: LP17011310

Mechanical:

REV.	ECN NO.	DESCRIPTION	DATE	APPD
A	REL		2017/01/13	



Recomanded PCB LAYOUT
 TOLANCE ± 0.05
 PCB Tinkness = 1.0 For 1.50 Solder tail
 1.6 For 1.90 Solder tail



USB TYPE -C Pin Assignments

Pin Number	Signal Name	Pin Number	Signal Name
A1	GND	B12	GND
A2	SSTXp1	B11	SSRXp1
A3	SSTXn1	B10	SSRXn1
A4	VBUS	B9	VBUS
A5	CC1	B8	SBU2
A6	Dp1	B7	Dn2
A7	Dn1	B6	Dp2
A8	SBU1	B5	CC2
A9	VBUS	B4	VBUS
A10	SSRXn2	B3	SSTXn2
A11	SSRXp2	B2	SSTXp2
A12	GND	B1	GND

X:X ± 0.30	APPD:	LINK-PP INT'L TECHNOLOGY CO., LIMITED
X:XX ± 0.25	CHKD:	
X:XXX ± 0.05	DR: James	TITLE: USB TYPE C Receptacle (W/O Rear Cover Type)
ANGLES $\pm 1^\circ$	UNIT: mm	PART NO.: LPUSB1078
	SCALE: 2/1	SHEET: 3/3
	REV: A	DWG NO.: LP17011310