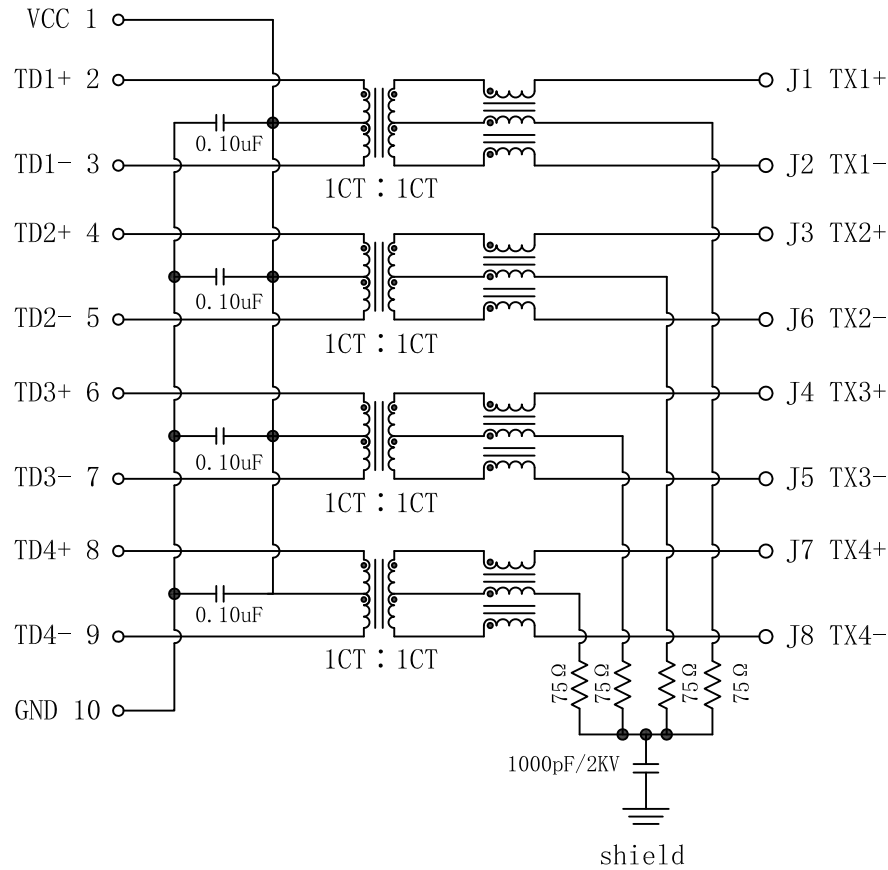


Schematic:

REV.	ECN NO.	DESCRIPTION	DATE	APPD
A	REL		2013/03/19	

PCB CONNECTIONS



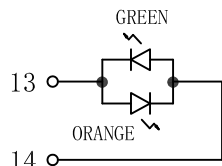
RJ45 CONNECTOR

Electrical Specifications @25°C

1. TURNS RATIOS: 1 : 1 ±3%
2. LX (100KHz, 100mV, 8mA, DC Bias): 350uH MIN
3. HIPOT: 1500Vrms
4. INSERTION LOSS: -1.0dB MAX @ 1MHz TO 100MHz
5. RETURN LOSS (@100 Ω):
 -16dB MIN @ 1MHz TO 30MHz
 -13.5dB MIN @ 30MHz TO 60MHz
 -12dB MIN @ 60MHz TO 80MHz
 -10dB MIN @ 80MHz TO 100MHz
6. CROSS TALK: -30dB MIN @ 1MHz TO 100MHz
7. CMR: -30dB MIN @ 1MHz TO 100MHz
8. OPERATING TEMPERATURE: -40°C ~ +85°C.

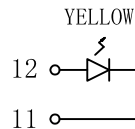
LED CONFIGURATION

Standard LED	Wavelength(λ)	V / IF=20mA	
		max.	typ.
YELLOW	585nm	2.5V	2.1V
ORANGE	610nm	2.5V	2.1V
GREEN	565nm	2.5V	2.1V



LEFT LED

LED POLARITY		COLOR
PIN 13	PIN 14	
+	-	ORANGE
-	+	GREEN



RIGHT LED

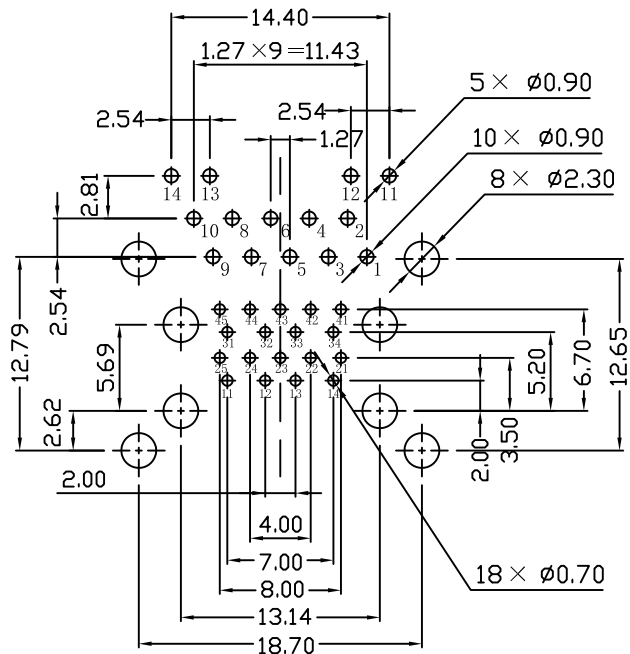
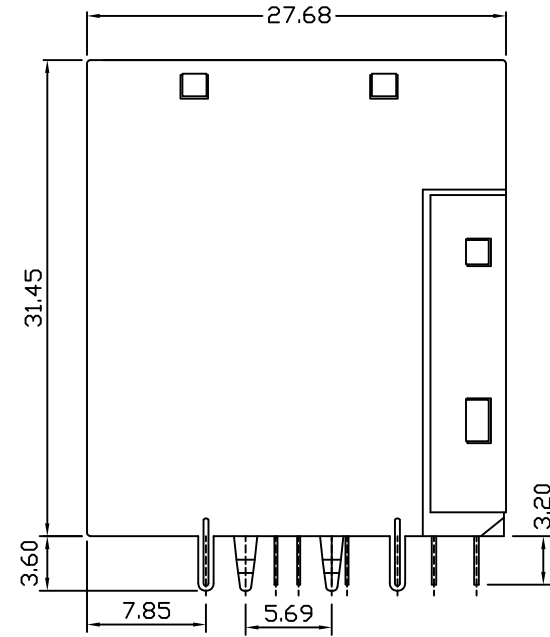
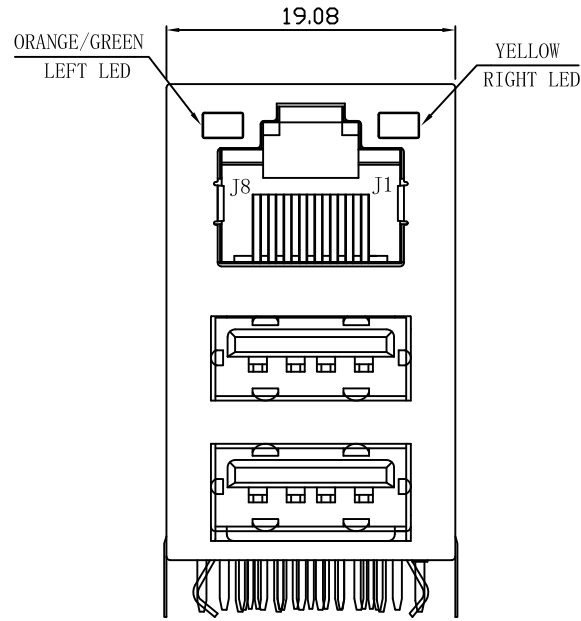
LED POLARITY		COLOR
PIN 12	PIN 11	
+	-	YELLOW



X:X ±0.25	APPD:	LINK-PP INT'L TECHNOLOGY CO., LIMITED
X:XX ±0.20	CHKD:	
X:XXX ±0.05	DR: TOM	TITLE: RJ45 1000 Base-TX Jack/Dual USB3.0 Combo
ANGLES ±1°	UNIT: mm	PART NO.: LPJU6650BONL
	SCALE: 2/1	SHEET: 1/2
	REV: A	DWG NO.: LP13031901

Mechanical:

REV.	ECN NO.	DESCRIPTION	DATE	APPD
A	REL		2013/03/19	



SUGGESTED PCB LAYOUT (TOP VIEW)

NOTES:

1. Designed to support application, such as SOHO (ADSL modems), LAN-on-Motherboard (LOM), hub and Switches.
2. Meets IEEE 802.3 specification
3. Connector Materials:
 Housing: Thermoplastic UL94V-0
 Contact/Shield: Copper alloy
 Shield plating: Nickel
 Contact plating: Gold 6 micro-inches min. In contact area.
 USB Contact plating: Gold flash.
4. Wave solder tip temperature: 265°C Max, 5 Sec Max.



X:X	±0.25	APPD:	LINK-PP INT'L TECHNOLOGY CO., LIMITED
X:XX	±0.20	CHKD:	
X:XXX	±0.05	DR: TOM	TITLE: RJ45 1000 Base-TX Jack/Dual USB3.0 Combo
ANGLES	±1°	UNIT: mm	PART NO.: LPJU6650BONL
	SCALE: 2/1	SHEET: 2/2	REV: A
			DWG NO.: LP13031901