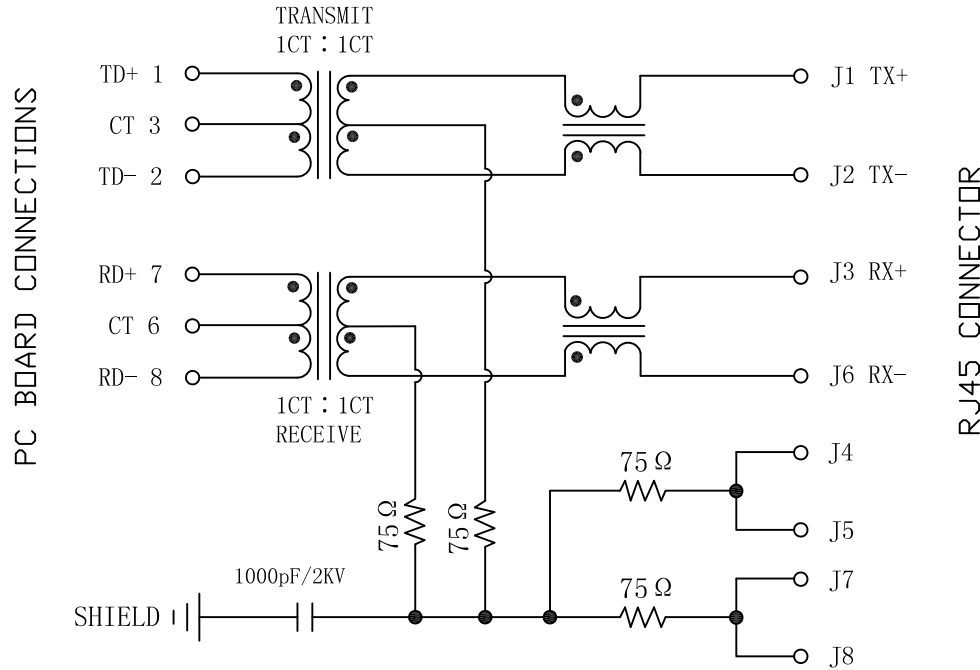


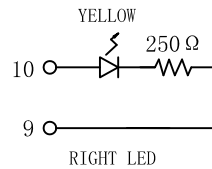
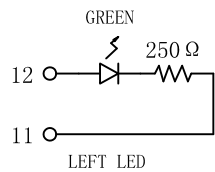
# Schematic:

REV.	ECN NO.	DESCRIPTION	DATE	APPD
A	REL		2014-07-18	



## ELECTRICAL SPECIFICATIONS @25°C

- Turn Ratio ( $\pm 2\%$ ):  
TX=1CT:1CT      RX=1CT:1CT
- Inductance OCL: 350uH MIN  
@100KHz 0.1V 8mA DC Bias
- Insertion Loss:  
-1.0dB MAX @1-100MHz
- Return Loss:  
-18dB MIN @1-30MHz  
-16dB MIN @30-60MHz  
-12dB MIN @60-80MHz
- Cross talk:  
-40dB TYP @1-10MHz  
-35dB TYP @32-60MHz  
-30dB TYP @60-100MHz
- Common Mode Rejection:  
-30dB TYP @1-50MHz  
-20dB MIN @50-100MHz
- Hipot Test: 1500Vrms
- Operating Temperature Range: 0°C TO 70°C



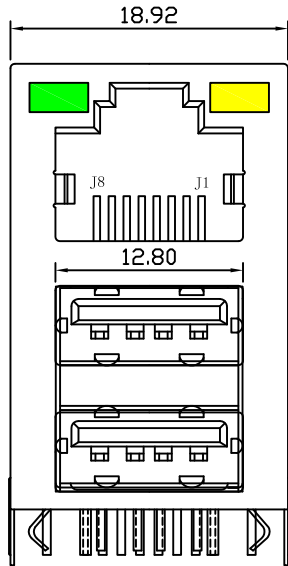
Emitting Color	$\lambda$ p(nm)	VF@IF=20mA	IR @VR=5V
Green	570	1.8~2.6V	10 $\mu$ A max
Yellow	585	1.8~2.6V	10 $\mu$ A max



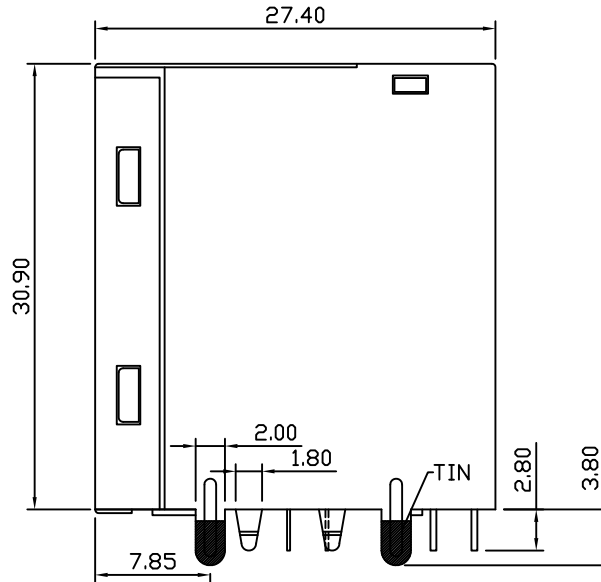
X:X	$\pm 0.25$	APPD:	LINK-PP INT'L TECHNOLOGY CO., LIMITED
X:XX	$\pm 0.20$	CHKD:	
X:XXX	$\pm 0.05$	DR: TOM	TITLE: RJ45 Connector with 10/100 Base-TX Jack/Dual USB Combo
ANGLES	$\pm 1^\circ$	UNIT: mm	PART NO.: LPJU5117BPNL
	SCALE: 2/1	SHEET: 1/2	REV:      DWG NO.: LP14071802

# Mechanical:

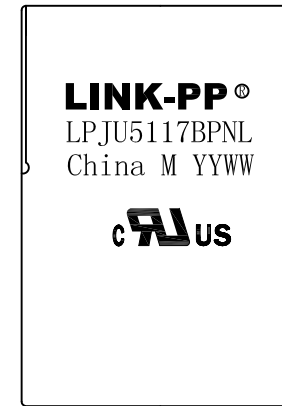
REV.	ECN NO.	DESCRIPTION	DATE	APPD
A	REL		2014-07-18	



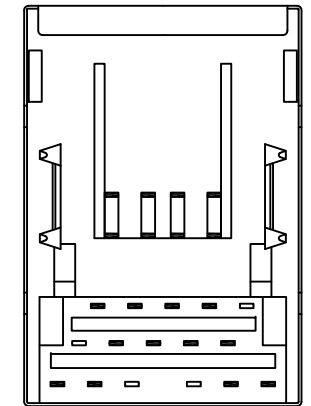
Front Side View



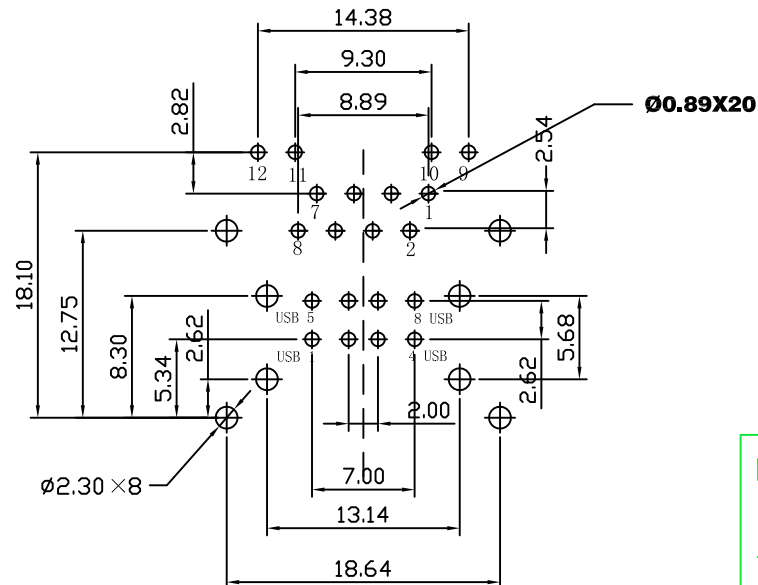
Left Side View



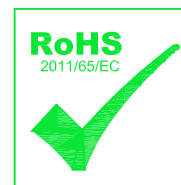
Top Side View



Bottom Side View



Suggested PCB Layout (Top View)



## NOTES:

1. Meets IEEE 802.3 specification
2. Connector Materials:  
 Housing Material: Thermoplastic PBT+30%G.F UL94V-0  
 Contact Material: Phosphor Bronze C5210R-EH Thickness=0.35mm  
 Pins: Brass C2680R-H Thickness=0.25mm  
 Shield: SUS S304-1/2H Thickness=0.2mm  
 Contact plating: Gold 6 micro-inches min. In contact area.  
 USB plating: Gold Flash.
3. Wave solder tip temperature: 265°C Max, 5 Sec Max

X:X	±0.25	APPD:	LINK-PP INT'L TECHNOLOGY CO., LIMITED	
X:XX	±0.20	CHKD:	TITLE: RJ45 Connector with 10/100 Base-TX Jack/Dual USB Combo	
X:XXX	±0.05	DR: TOM	PART NO.: LPJU5117BPNL	
ANGLES	±1°	UNIT: mm		
	SCALE: 2/1	SHEET: 2/2	REV: A	DWG NO.: LP14071802