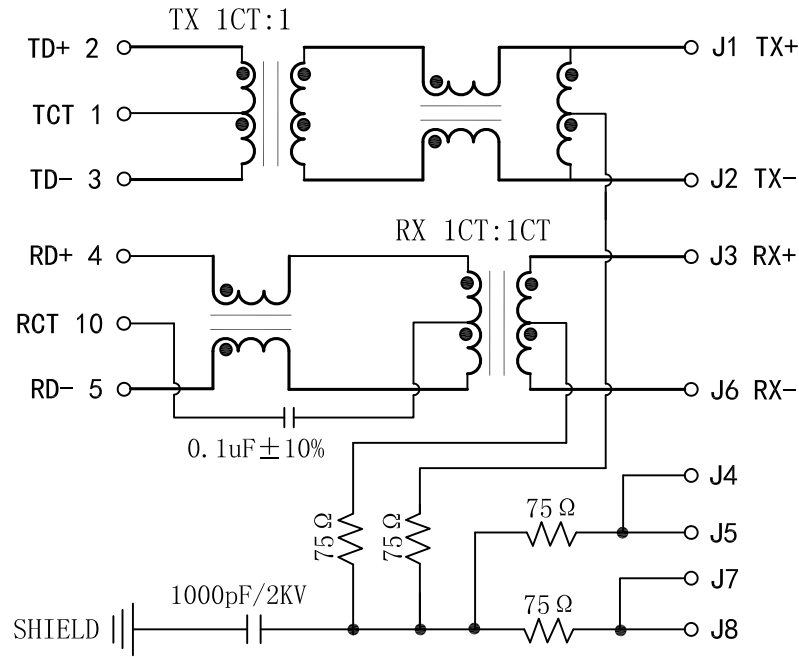


Schematic:

REV.	ECN NO.	DESCRIPTION	DATE	APPD
A	REL		2015-05-19	

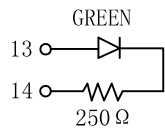
PC BOARD CONNECTIONS



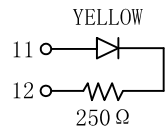
RJ45 CONNECTOR

Electrical Specifications @25°C

- Turns Ratio:
TX=1CT:1 ±3%
RX=1CT:1CT ±3%
- OCL: (@100KHz, 100mVRMS, 8mA, DC BIAS)
350uH MIN
- Hipot (Isolation Voltage): 1500Vrms
- Insertion Loss:
-1.0dB MAX @ 100KHz TO 100MHz
- Return Loss:
-20dB MIN @ 1MHz TO 30MHz
-19-20LOG (F/30MHz)dB MIN @30MHz TO 60MHz
-12dB MIN @ 60MHz TO 80MHz
- Cross Talk:
-35dB MIN @ 1MHz TO 65MHz
-30dB MIN @ 65MHz TO 100MHz
- Common To Common Mode Rejection:
-30dB MIN @ 100KHz TO 100MHz
-20dB MIN @ 100MHz TO 130MHz
- Operating Temperature: 0~70°C



LEFT LED



RIGHT LED

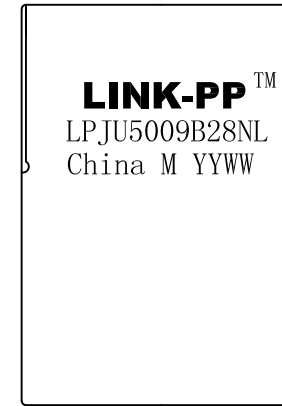
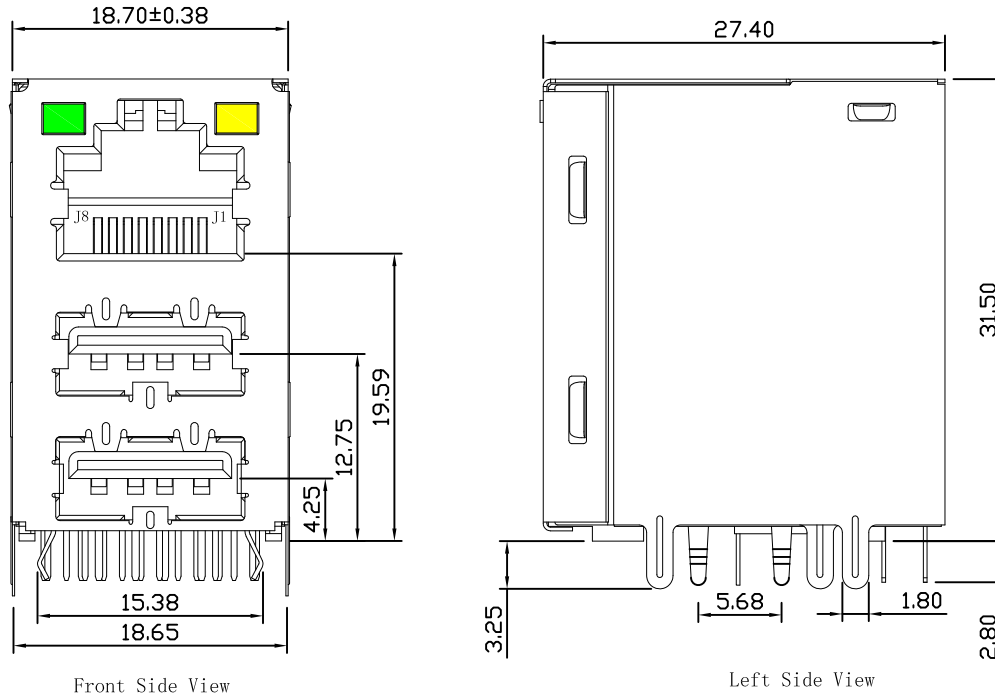
Emitting Color	λ p(nm)	VF@IF=20mA	IR @VR=5V
Green	570	1.8~2.4V	10 μ A max
Yellow	590	1.8~2.4V	10 μ A max



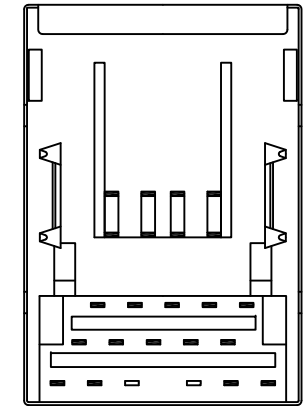
X:X	±0.25	APPD:	LINK-PP INT'L TECHNOLOGY CO., LIMITED	
X:XX	±0.20	CHKD:	TITLE: RJ45 Connector with 10/100 Base-TX Jack/Dual USB Combo	
X:XXX	±0.05	DR: TOM		
ANGLES	±1°	UNIT: mm	PART NO.: LPJU5009B28NL	
	SCALE: 2/1	SHEET: 1/2	REV: A	DWG NO.: LP15051910

Mechanical:

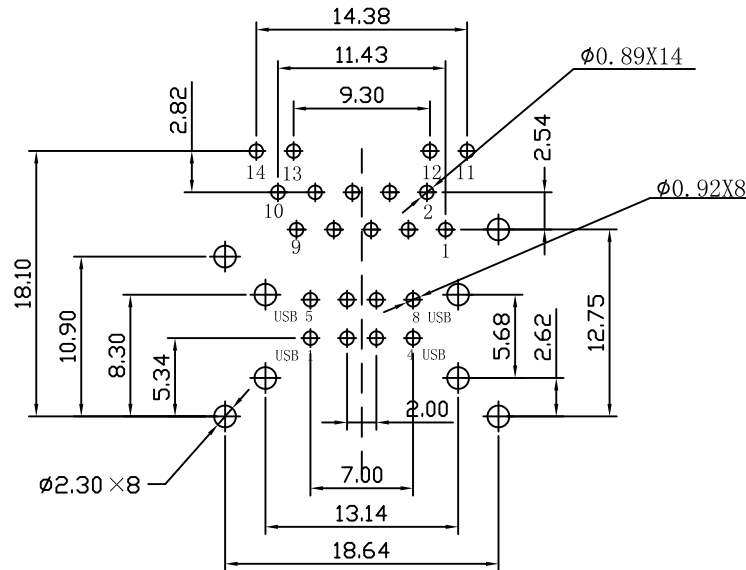
REV.	ECN NO.	DESCRIPTION	DATE	APPD
A	REL		2015-05-19	



Top Side View



Bottom Side View



Suggested PCB Layout



NOTES:

- Meets IEEE 802. specification
- Connector Materials:
 - Housing Material: Thermoplastic PBT+30%G. F UL94V-0
 - Contact Material: Phosphor Bronze C5210R-EH Thickness=0.35mm
 - Pins: Brass C2680R-H Thickness=0.35mm
 - Shield: SUS 201-1/2H Thickness=0.35mm
 - Contact plating: Gold 6 micro-inches min. In contact area.
- Wave solder tip temperature: 265°C Max, 5 Sec Max

X:X ±0.25	APPD:	LINK-PP INT'L TECHNOLOGY CO., LIMITED
X:XX ±0.20	CHKD:	
X:XXX ±0.05	DR: TOM	TITLE: RJ45 Connector with 10/100 Base-TX Jack/Dual USB Combo
ANGLES ±1°	UNIT: mm	PART NO.: LPJU5009B28NL
	SCALE: 2/1	SHEET: 2/2
	REV: A	DWG NO.: LP15051910