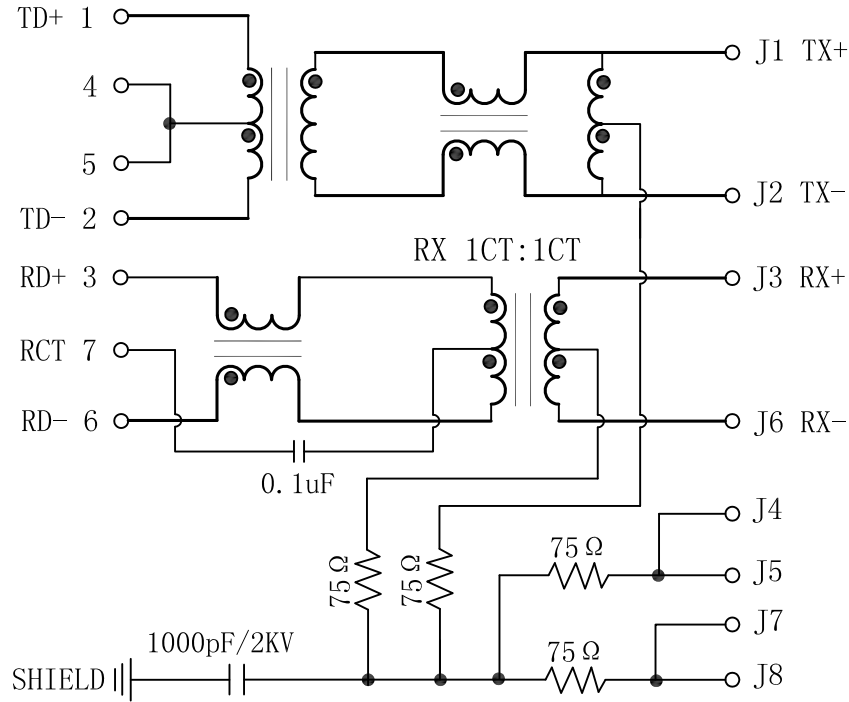


Schematic:

REV.	ECN NO.	DESCRIPTION	DATE	APPD
A	REL		2016-07-09	

PC BOARD CONNECTIONS

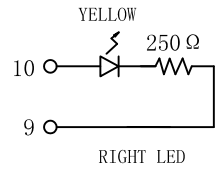
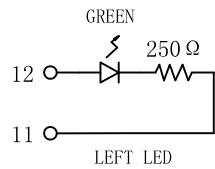


RJ45 CONNECTOR

ELECTRICAL SPECIFICATIONS @25°C

- Turn Ratio ($\pm 2\%$):
TX=1CT:1 RX=1CT:1CT
- Inductance OCL: 350uH MIN
@100KHz 0.1V 8mA DC Bias
- Insertion Loss:
-1.0dB MAX @1~100MHz
- Return Loss:
-18dB MIN @1~30MHz
-16dB MIN @30~45MHz
-14dB MIN @45~60MHz
-12dB MIN @60~80MHz
- Cross talk:
-33dB MIN @1~100MHz
- Common Mode Rejection:
-35dB MIN @1~100MHz
- Hipot Test: 1500Vrms MIN
- Operating Temperature Range: 0°C~70°C.

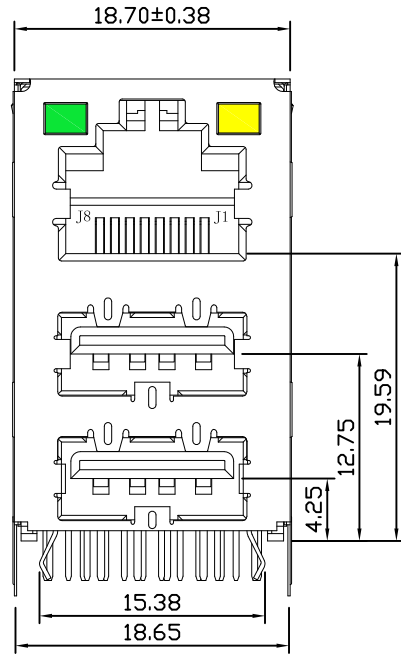
Emitting Color	λ_p (nm)	V _F @I _F =20mA	I _R @V _R =5V
GREEN	565	1.8~2.6V	10 μ A max
YELLOW	585	1.8~2.6V	10 μ A max



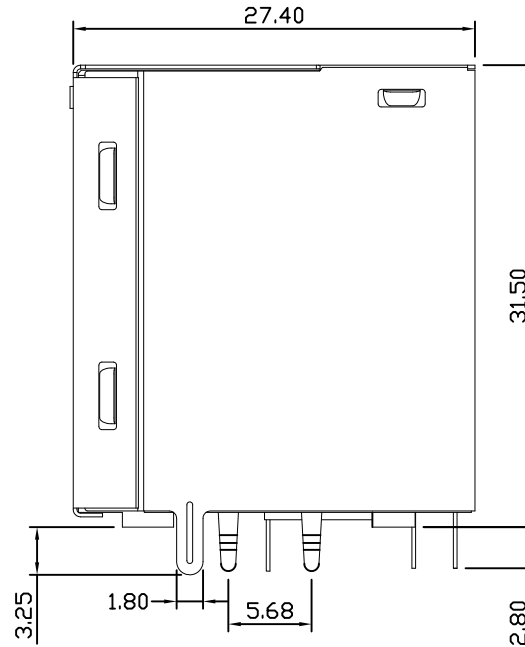
X:X	± 0.30	APPD:	LINK-PP INT'L TECHNOLOGY CO., LIMITED
X:XX	± 0.25	CHKD:	
X:XXX	± 0.05	DR: TOM	
ANGLES $\pm 1^\circ$		UNIT: mm	PART NO.: LPJU5002BPNL-3
	SCALE: 2/1	SHEET: 1/2	REV: A DWG NO.: LP16070920

Mechanical:

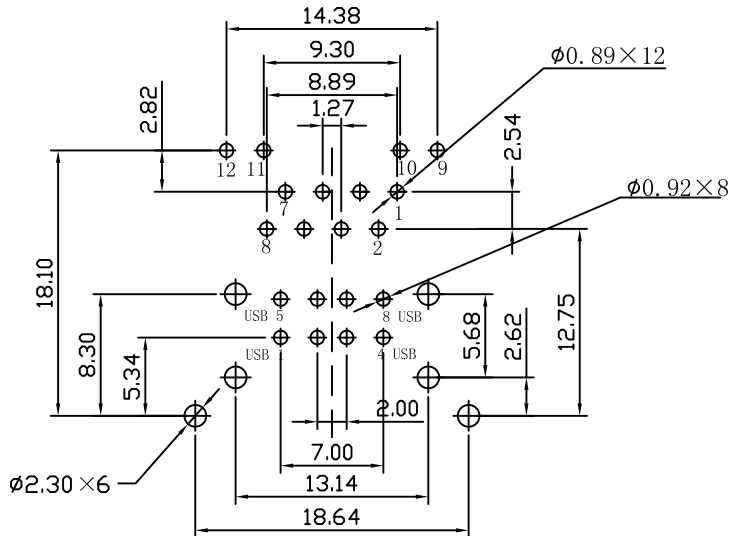
REV.	ECN NO.	DESCRIPTION	DATE	APPD
A	REL		2016-07-09	



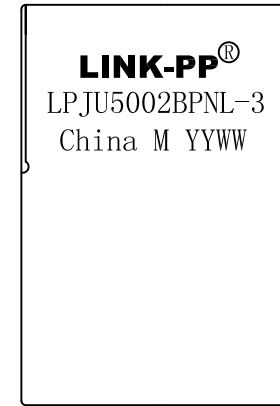
Front Side View



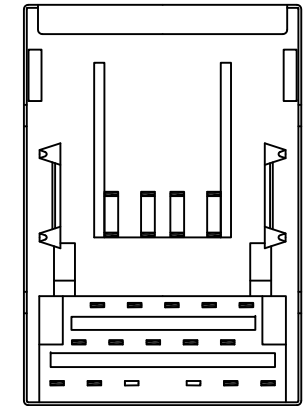
Left Side View



Suggested PCB Layout (Top View)



Top Side View



Bottom Side View

NOTES:

1. Designed to support application, such as SOHO (ADSL modems), LAN-on-Motherboard (LOM), hub and Switches.
2. Meets IEEE 802.3 specification
3. Connector Materials:
 Housing: Thermoplastic PBT+30%G.F UL94V-0
 Contact: Phosphor Bronze C5210R-EH Thickness=0.35mm
 Pins: Brass C2680R-H Thickness=0.35mm
 Shield: SUS 201-1/2H Thickness=0.2mm
 Contact plating: Gold 6 micro-inches min. In contact area.
 USB Contact plating: Gold Flash.
4. Wave solder tip temperature: 265°C Max, 5 Sec.
5. UL Certification: File Number E484635

X:X ±0.30	APPD:	LINK-PP INT'L TECHNOLOGY CO., LIMITED
X:XX ±0.25	CHKD:	
X:XXX ±0.05	DR: TOM	TITLE: RJ45 Connector with 10/100 Base-TX Jack/Dual USB Combo
ANGLES ±1°	UNIT: mm	PART NO.: LPJU5002BPNL-3
	SCALE: 2/1	SHEET: 2/2
	REV: A	DWG NO.: LP16070920