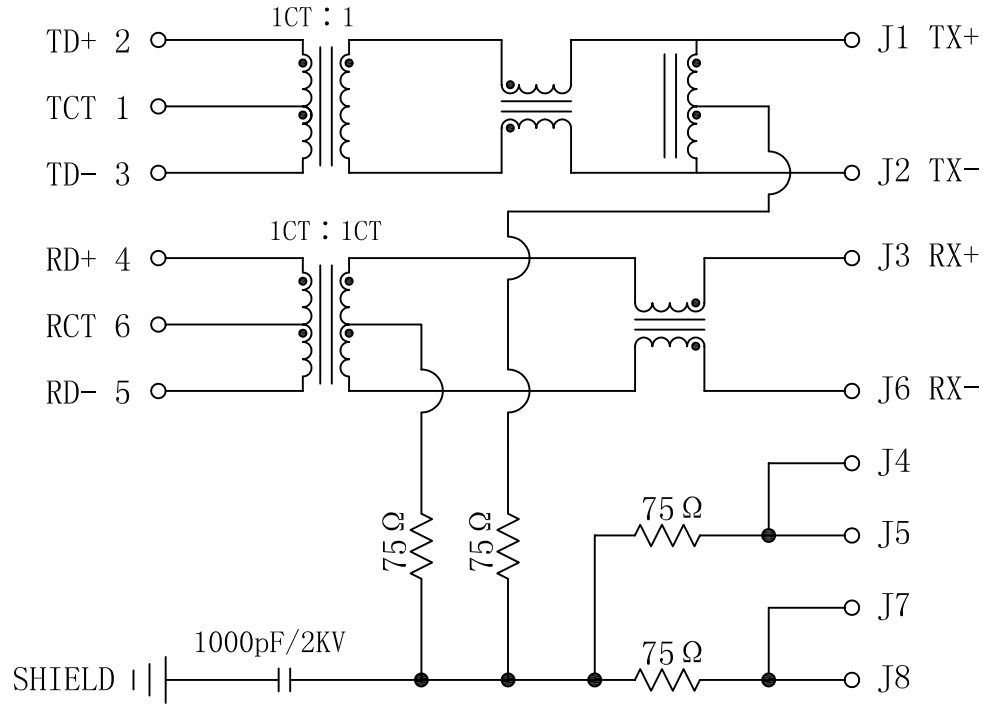


Schematic:

REV.	ECN NO.	DESCRIPTION	DATE	APPD
A	REL		2012/02/10	

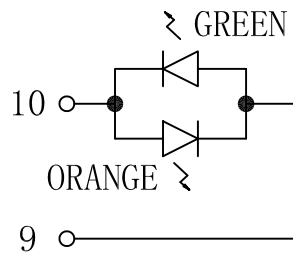
CHIP SIDE



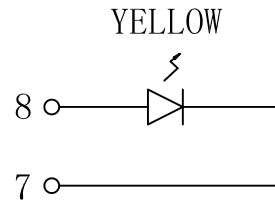
CABLE SIDE

ELECTRICAL SPECIFICATIONS @25°C

- Turn Ratio ($\pm 2\%$):
TX=1CT : 1 RX=1CT : 1CT
- Inductance OCL: 350uH MIN
@100KHz/0.1V 8mA DC Bias
- Insertion Loss:
-1.0dB MAX @ 1.0-100MHz
- Return Loss (@LOAD 100 OHM):
TX: -18dB MIN @ 1-30MHz
-12dB MIN @ 30-60MHz
-12dB MIN @ 60-80MHz
RX: -20dB MIN @ 1-30MHz
-17dB MIN @ 30-60MHz
-15dB MIN @ 60-80MHz
- Cross talk:
-35dB MIN @ 1-100MHz
- Common Mode Rejection:
-30dB MIN @ 1-100MHz
- Hipot Test: 1500Vrms
- Operating Temperature Range: 0°C TO 70°C



LEFT LED

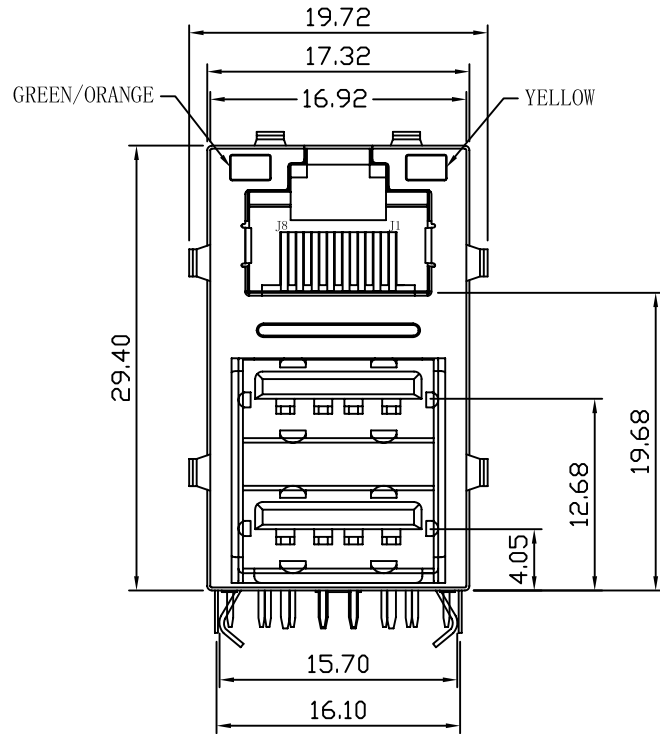


RIGHT LED

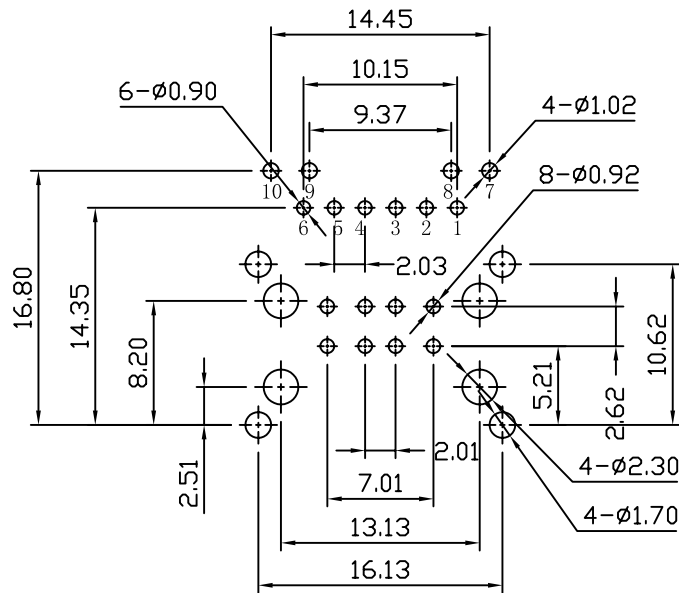
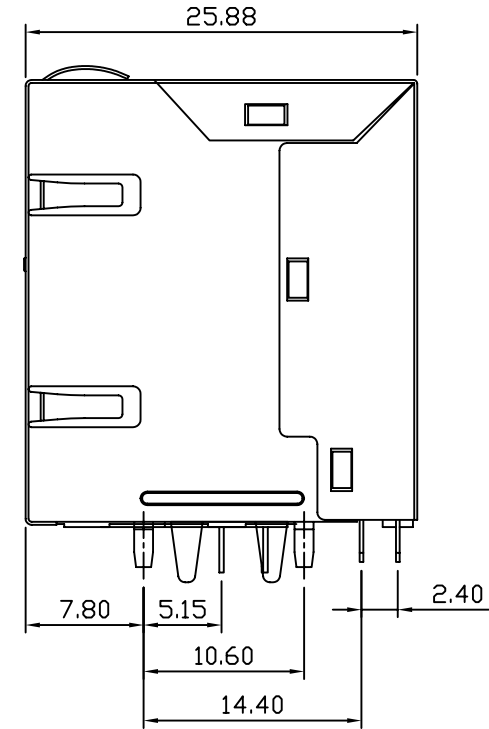


X:X	± 0.25	APPD:	LINK-PP INT'L TECHNOLOGY CO., LIMITED	
X:XX	± 0.20	CHKD:	TITLE: RJ45 10/100 Base-TX Jack/Dual USB Combo	
X:XXX	± 0.05	DR: TOM	PART NO.: LPJU4130ALNL	
ANGLES	$\pm 1^\circ$	UNIT: mm	DWG NO.: LP12021012	
	SCALE: 2/1	SHEET: 1/2	REV: A	

Mechanical:



REV.	ECN NO.	DESCRIPTION	DATE	APPD
A	REL		2012/02/10	



SUGGESTED PCB LAYOUT (TOP VIEW)

NOTES:

1. Designed to support application, such as SOHO (ADSL modems), LAN-on-Motherboard (LOM), hub and Switches.
2. Meets IEEE 802.3 specification
3. Connector Materials:
Housing: Thermoplastic PBT+30%G.F UL94V-0
Contact: Phosphor Bronze C5210 EH T=0.30mm
Shield: Iron T=0.2mm
Shield plating: TIN
Contact plating: Gold 6 micro-inches min. In contact area.
USB Contact plating: Gold Flash.



X:X	± 0.25	APPD:	LINK-PP INT'L TECHNOLOGY CO., LIMITED	
X:XX	± 0.20	CHKD:	TITLE: RJ45 10/100 Base-TX Jack/Dual USB Combo	
X:XXX	± 0.05	DR: TOM	PART NO.: LPJU4130ALNL	
ANGLES	$\pm 1^\circ$	UNIT: mm	DWG NO.: LP12021012	
	SCALE: 2/1	SHEET: 2/2	REV: A	