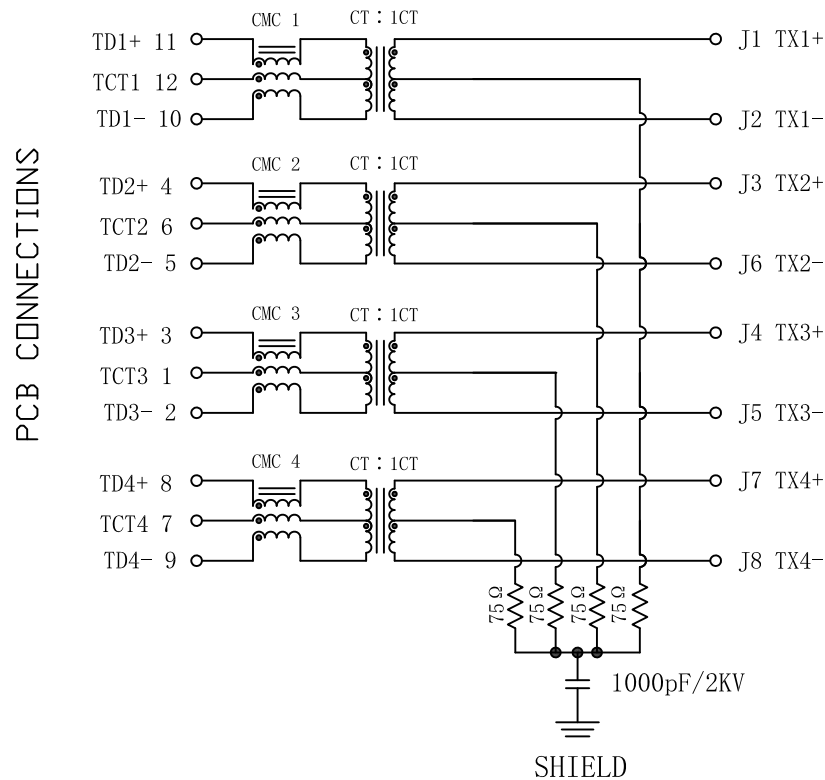


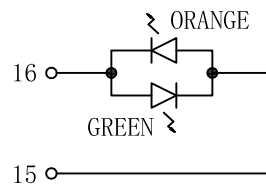
# Schematic:

| REV. | ECN NO. | DESCRIPTION | DATE       | APPD |
|------|---------|-------------|------------|------|
| A    | REL     |             | 2013/06/29 |      |



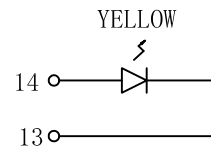
## ELECTRICAL SPECIFICATIONS @25°C

- Turn Ratio:  
Pri : Sec = 1CT : 1CT
- Inductance OCL: 350uH MIN  
@100KHz/0.1V, 8mA DC Bias
- Insertion Loss:  
-1.1dB MAX @ 0.5~100MHz
- Return Loss:  
-18dB MIN @ 0.5~40MHz  
-12-20LOG(f/80) dB MIN @ 40.1~100MHz
- Cross talk:  
-35dB MIN @ 0.5~40MHz  
-33-20LOG(f/50) dB MIN @ 40.1~100MHz
- Common Mode Rejection Ratio(CMRR):  
-30dB MIN @ 0.5~100MHz
- Hipot Test: 1500Vrms
- Operating Temperature: 0°C TO 70°C



LEFT LED

| LED POLARITY |        | COLOR  |
|--------------|--------|--------|
| PIN 16       | PIN 15 |        |
| +            | -      | GREEN  |
| -            | +      | ORANGE |



RIGHT LED

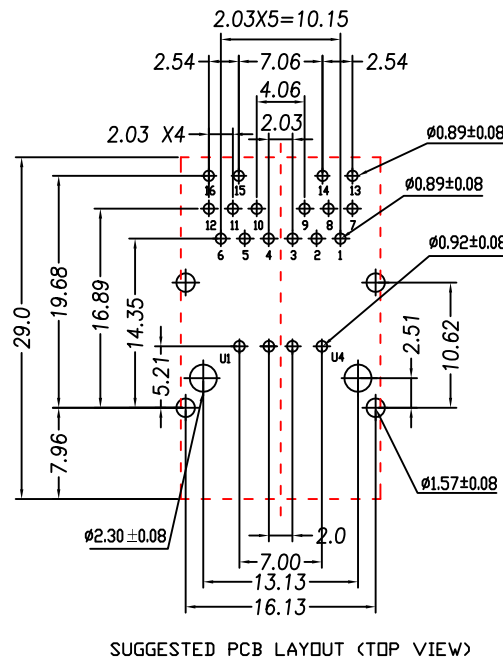
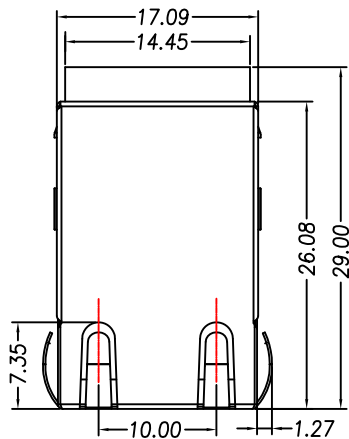
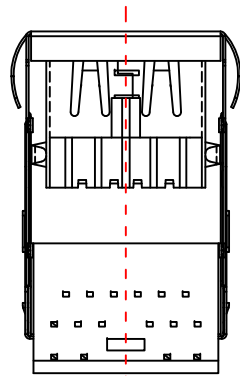
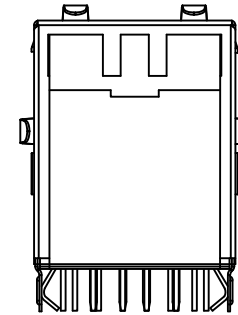
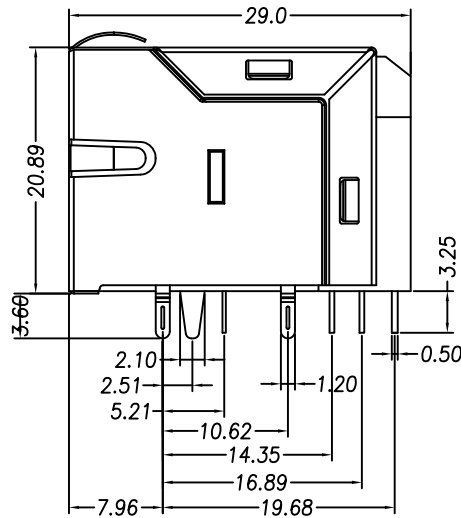
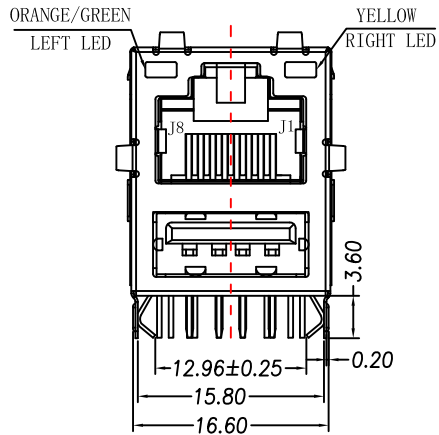
| LED POLARITY |        | COLOR  |
|--------------|--------|--------|
| PIN 14       | PIN 13 |        |
| +            | -      | YELLOW |

| Emitting Color | $\lambda$ p(nm) | V <sub>F</sub> @I <sub>F</sub> =20mA | I <sub>R</sub> @V <sub>R</sub> =5V |
|----------------|-----------------|--------------------------------------|------------------------------------|
| ORANGE / GREEN | 610 / 565       | 1.8~2.6V                             | 10 $\mu$ A max                     |
| YELLOW         | 585             | 1.8~2.6V                             | 10 $\mu$ A max                     |

|        |               |            |   |
|--------|---------------|------------|---|
| X:X    | $\pm 0.30$    | APPD:      | LINK-PP INT'L TECHNOLOGY CO., LIMITED           |
| X:XX   | $\pm 0.25$    | CHKD:      |   |
| X:XXX  | $\pm 0.10$    | DR: TOM    | TITLE: RJ45/Single USB Jack With 1000 Magnetics |
| ANGLES | $\pm 1^\circ$ | UNIT: mm   | PART NO.: LPJU3936AONL                          |
|        | SCALE: 2/1    | SHEET: 1/2 | REV: A  |
|        |               |            | DWG NO.: LP13062918                             |

# Mechanical :

| REV. | ECN NO. | DESCRIPTION | DATE       | APPD |
|------|---------|-------------|------------|------|
| A    | REL     |             | 2013/06/29 |      |



SUGGESTED PCB LAYOUT (TOP VIEW)

## NOTES:

1. Designed to support application, such as SOHO (ADSL modems), LAN-on-Motherboard (LOM), hub and Switches.
2. Meets IEEE 802.3 specification
3. Connector Materials:  
Housing: Thermoplastic UL94V-0  
Contact/Shield: Copper alloy  
Shield plating: Nickel  
RJ-45 Contact plating: Gold 6 micro-inches Min.  
In contact area  
USB Contact plating: Gold Flash
4. Wave solder tip temperature and time: 265°C MAX, 5 Sec MAX.
5. UL Certification: File Number E484635.

|        |            |            |   |                     |
|--------|------------|------------|---|---------------------|
| X:X    | ±0.30      | APPD:      | LINK-PP INT'L TECHNOLOGY CO., LIMITED           |                     |
| X:XX   | ±0.25      | CHKD:      | TITLE: RJ45/Single USB Jack With 1000 Magnetics |                     |
| X:XXX  | ±0.10      | DR: TOM    | PART NO.: LPJU3936AONL                          |                     |
| ANGLES | ±1°        | UNIT: mm   |   |                     |
|        | SCALE: 2/1 | SHEET: 2/2 | REV: A  | DWG NO.: LP13062918 |