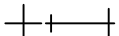
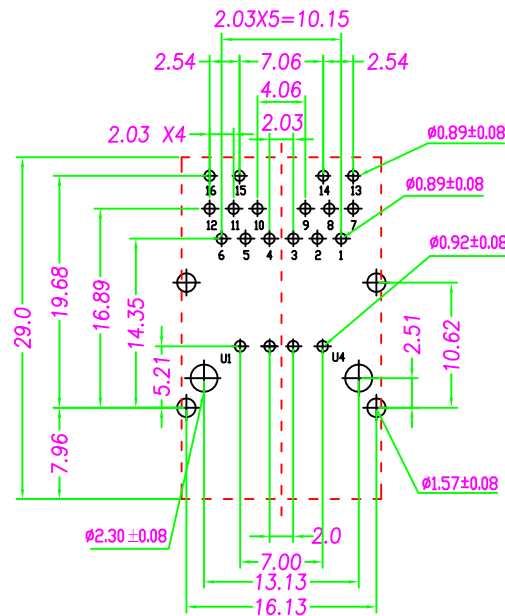
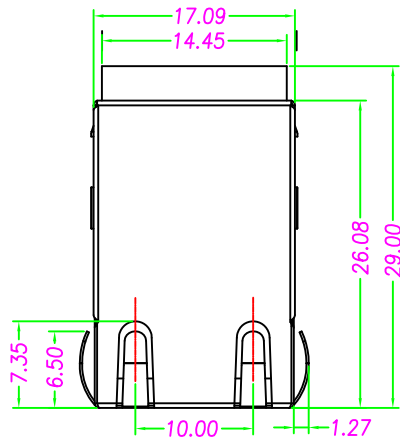
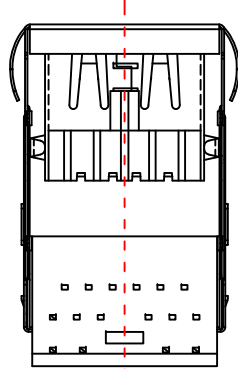
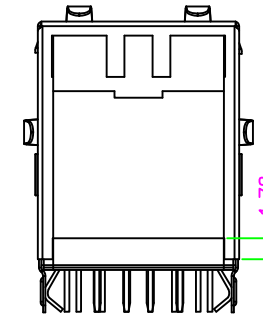
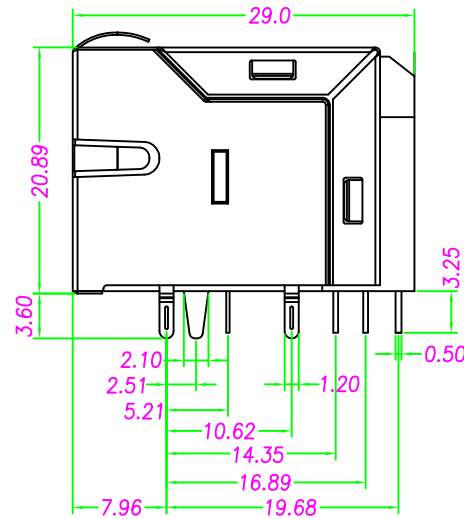
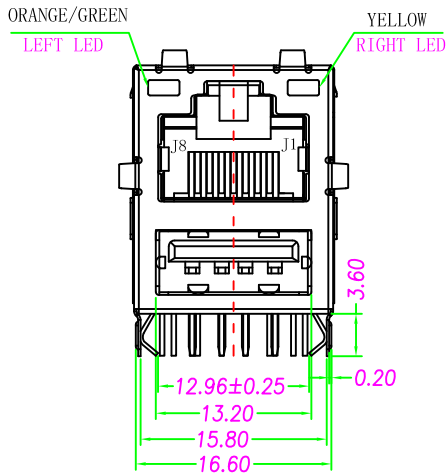


ANGLES	$\pm 1^\circ$	J

 SCALE: 2/1 SHEET: 1/2

Mechanical :

REV.	ECN NO.	DESCRIPTION	DATE	APPD
A	REL		2013/06/29	



SUGGESTED PCB LAYOUT (TOP VIEW)

NOTES:

1. Designed to support application, such as SOHO (ADSL modems), LAN-on-Motherboard (LOM), hub and Switches.
2. Meets IEEE 802.3 specification
3. Connector Materials:
Housing: Thermoplastic UL94V-0
Contact/Shield: Copper alloy
Shield plating: Nickel
RJ-45 Contact plating: Gold 6 micro-inches min. In contact area
USB Contact plating: Gold Flash
4. Wave solder tip temperature and time: 265°C MAX, 5 Sec MAX.

X:X	±0.30	APPD:	LINK-PP INT'L TECHNOLOGY CO., LIMITED	
X:XX	±0.25	CHKD:	TITLE: RJ45/Single USB Jack With 1000 Magnetics	
X:XXX	±0.10	DR: TOM	PART NO.: LPJU3903AONL	
ANGLES	±1°	UNIT: mm		
	SCALE: 2/1	SHEET: 2/2	REV: A	DWG NO.: LP13062921