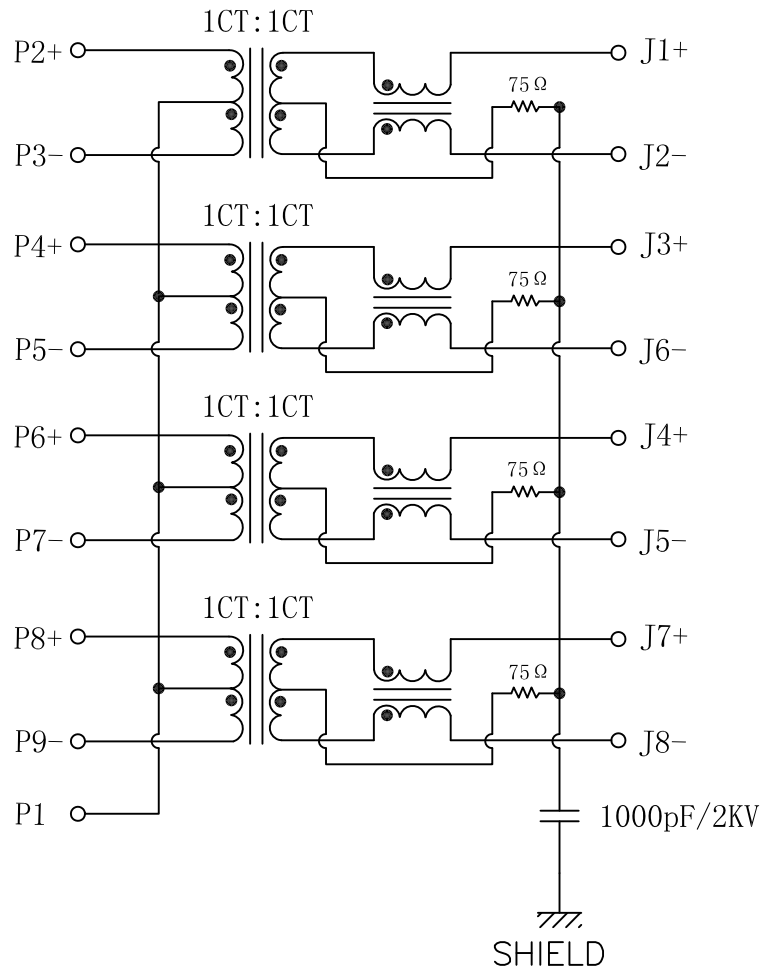


Schematic:

REV.	ECN NO.	DESCRIPTION	DATE	APPD
A	REL		2017/09/27	

PCB CONNECTIONS

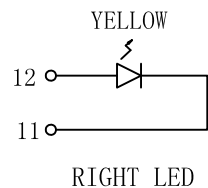
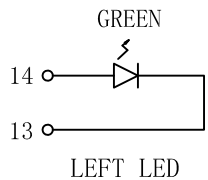


RJ45 CONNECTOR

ELECTRICAL SPECIFICATIONS @25°C

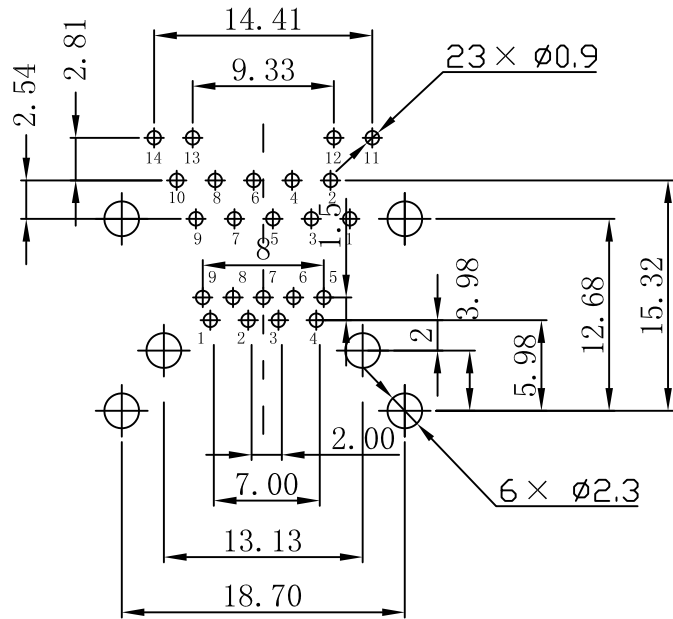
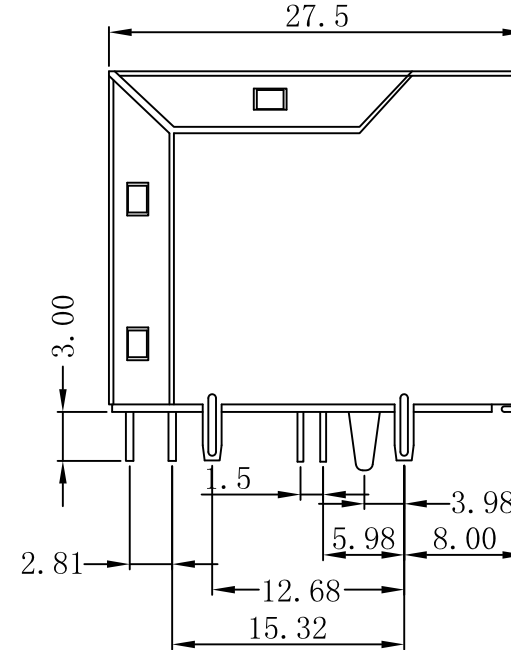
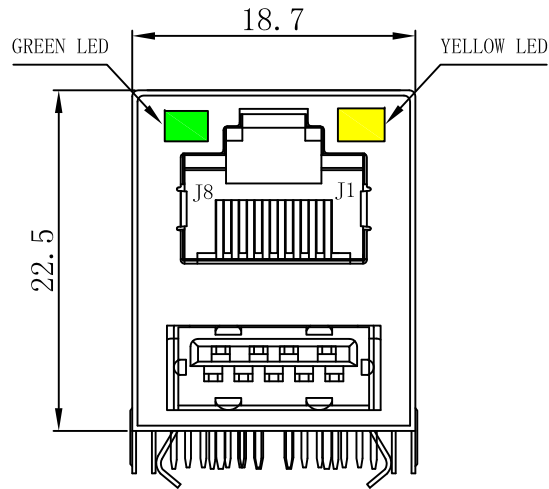
- Turn Ratio(±3%): 1CT : 1CT
- Inductance OCL: 350uH MIN @100KHz/0.1V, 8mA DC Bias
- Insertion Loss:
1-125MHz:-1.2dB max
- Return Loss(dB min):
1-30MHz:-18 30-60MHz:-16
60-80MHz:-12 80-100MHz:-10
- Crosstalk(dB min):
1-30MHz:-40 30-60MHz:-35
60-100MHz:-30
- Common Mode Rejection(dB min):
1-60MHz:-40 60-100MHz:-30
- Hipot Test: 1500VAC
- Operating Temperature: -40°C TO +85°C

Emitting Color	λp(nm)	VF@IF=20mA	IR @VR=5V
GREEN	565	1.8~2.6V	10 μA max
YELLOW	585	1.8~2.6V	10 μA max



X:X ±0.30	APPD:	LINK-PP INT'L TECHNOLOGY CO., LIMITED
X:XX ±0.25	CHKD:	
X:XXX ±0.05	DR: TOM	TITLE: RJ45 1000 Base-TX Jack/Dual USB 3.0 Combo
ANGLES ±1°	UNIT: mm	PART NO.: LPJU3024BHNL
	SCALE: 2/1	SHEET: 1/2
	REV: A	DWG NO.: LP20022202

REV.	ECN NO.	DESCRIPTION	DATE	APPD
A	REL		2017/09/27	



SUGGESTED PCB LAYOUT (TOP VIEW)

NOTES:

1. Designed to support application, such as SOHO (ADSL modems), LAN-on-Motherboard (LOM), hub and Switches.
2. Meets IEEE 802.3 specification
3. Connector Materials:
Housing: Thermoplastic UL94V-0
Contact/Shield: Copper alloy
Shield plating: Nickel
Contact plating: Gold 6 micro-inches min. In contact area.
USB Contact plating: Gold flash.
4. Wave solder tip temperature: 265°C Max, 5 Sec.
5. UL Certification: File Number E484635.



X:X	±0.30	APPD:	LINK-PP INT'L TECHNOLOGY CO., LIMITED
X:XX	±0.25	CHKD:	
X:XXX	±0.05	DR: TOM	TITLE: RJ45 1000 Base-TX Jack/Dual USB 3.0 Combo
ANGLES	±1°	UNIT: mm	PART NO.: LPJU3024BHNL
	SCALE: 2/1	SHEET: 2/2	REV: A
			DWG NO.: LP20022202