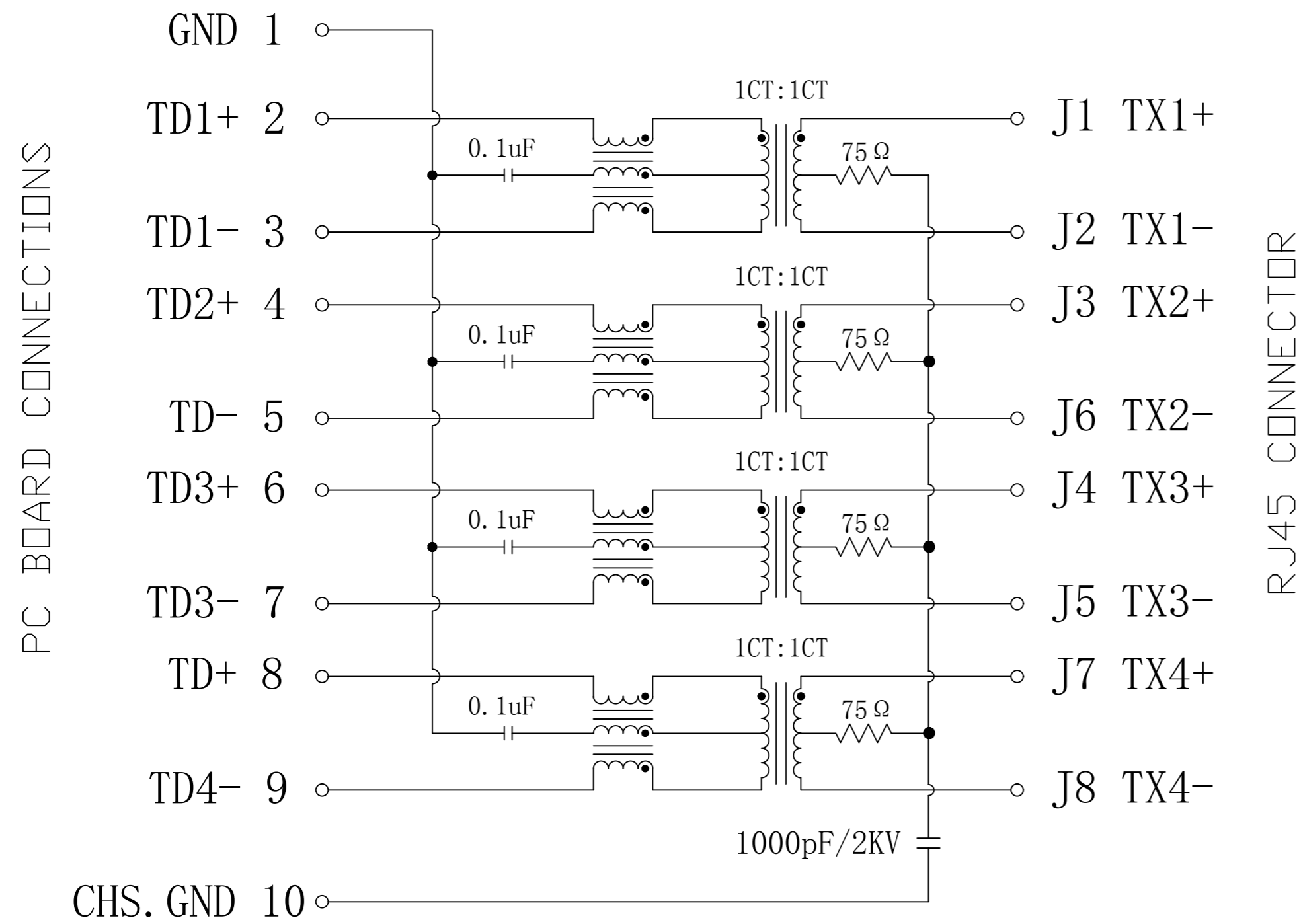


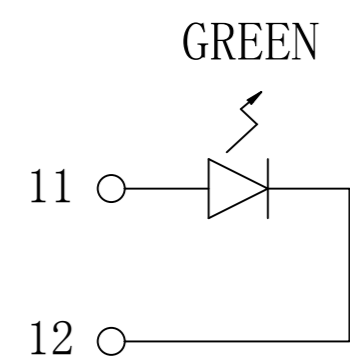
Schematic:

REV.	ECN NO.	DESCRIPTION	DATE	APPD
A	REL		2020-08-25	

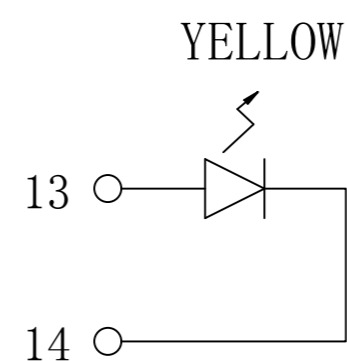


ELECTRICAL SPECIFICATIONS @25°C

1. Turn Ratio : 1CT:1CT ±5%
2. OCL:160uH Min @100KHz , 0.1V
3. Insertion Loss (dB Max):
 1-125MHz: -1.0 125-200MHz: -2.0
 200-250MHz -2.5
4. Return Loss(dB Min):
 1-30MHz: -18 30-100MHz: -14
 100-200MHz: -11 200-250MHz: -9
5. Cross Talk:
 1-250MHz: -25dB Min.
6. Common Mode Rejection(dB Min):
 1-100MHz: -30 100-250MHz:-20
7. Common Mode to Differential Mode Rejection(dB Min):
 1-100MHz: -30 100-250MHz:-25.
8. Isolation PHY SIDE To Line SIDE : 1500Vrms
9. Operating Temperature Range: -40°C ~+85°C.



LEFT LED



RIGHT LED

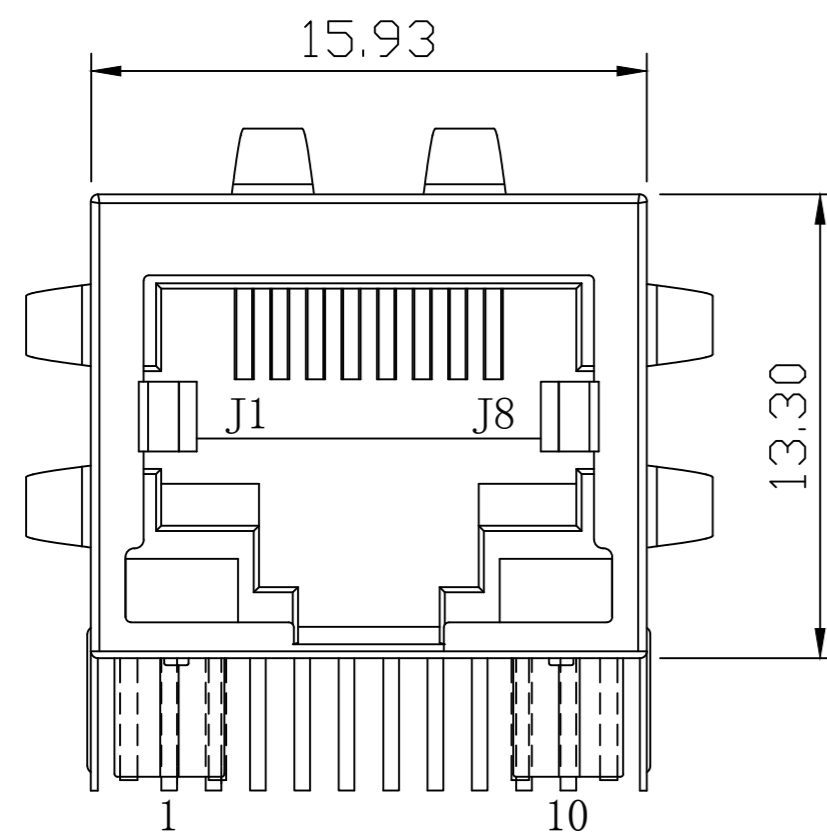
Emitting Color	λ_p (nm)	VF@IF=20mA	IR @VR=5V
GREEN	565	1.8~2.6V	10 μ A max
YELLOW	585	1.8~2.6V	10 μ A max



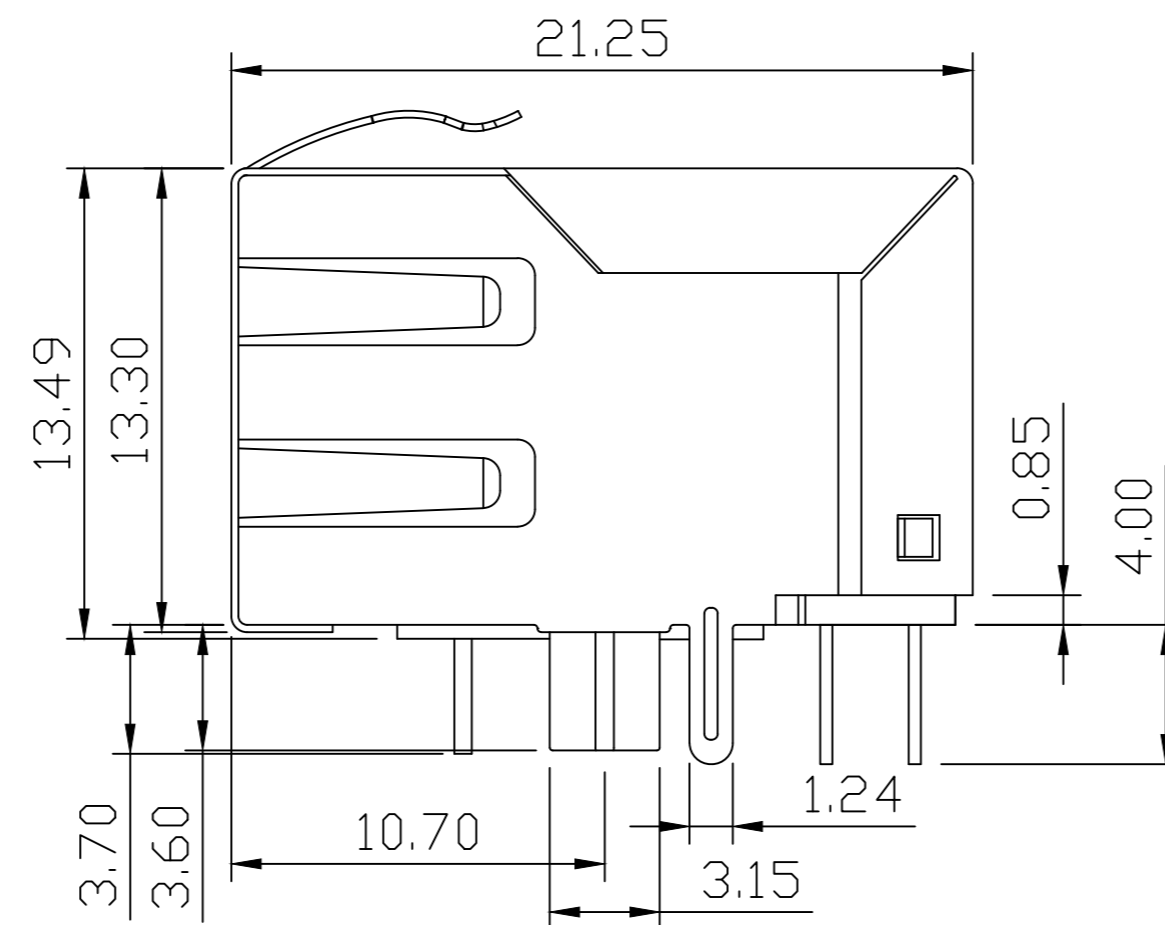
X:X ±0.30	APPD: TOM	LINK-PP INT'L TECHNOLOGY CO., LIMITED		
X:XX ±0.25	CHKD: JAMES			
X:XXX ±0.05	DR: LEO			
ANGLES ±1°	UNIT: mm	TITLE: RJ45 Connector with 5G Base-T Integrated Magnetics		
		PART NO.: LPJQ4540-8GENL		
	SCALE: 2/1	SHEET: 1/2	REV: A	DWG NO.: LP20082533

Mechanical:

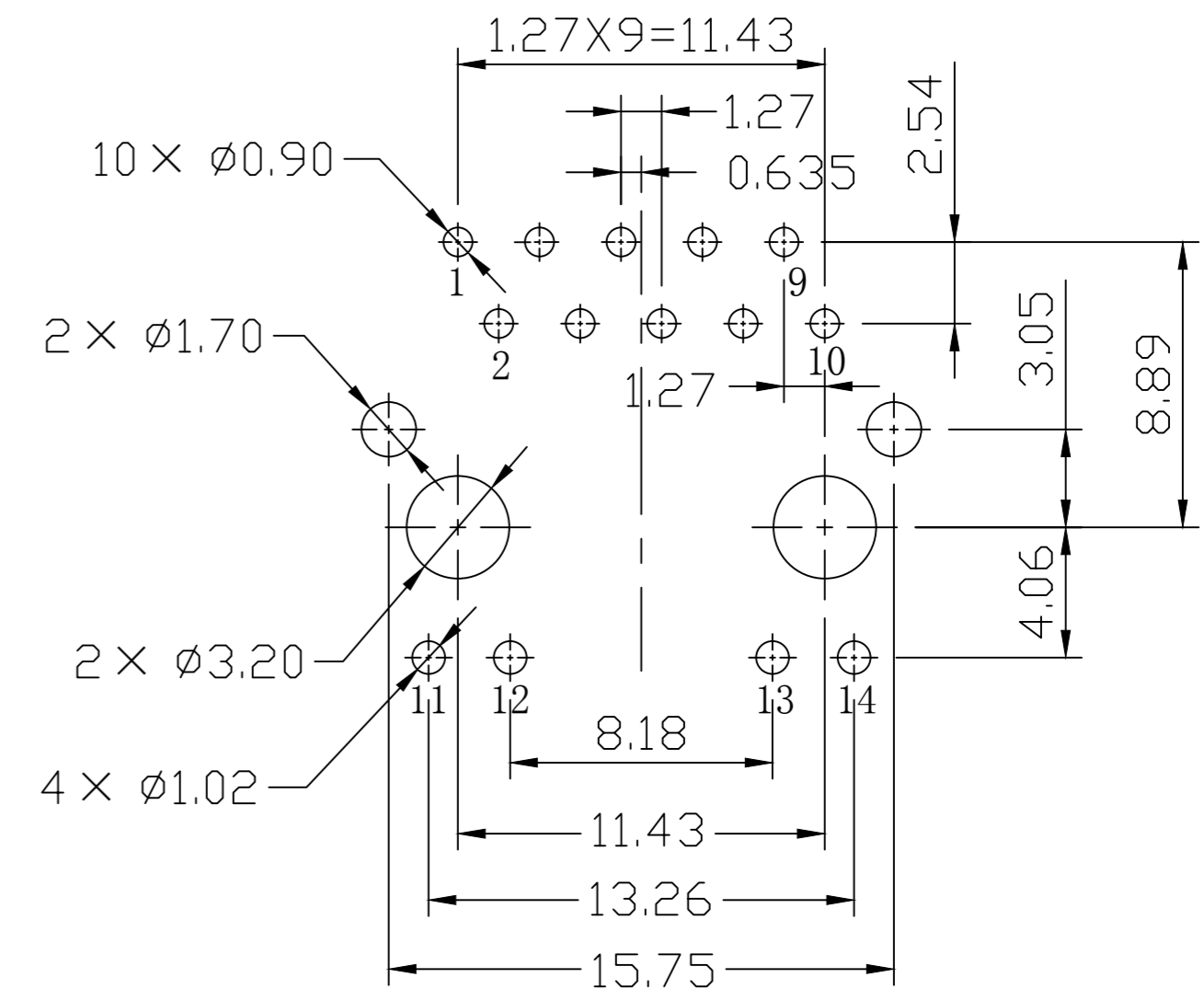
REV.	ECN NO.	DESCRIPTION	DATE	APPD
A	REL		2020-08-25	



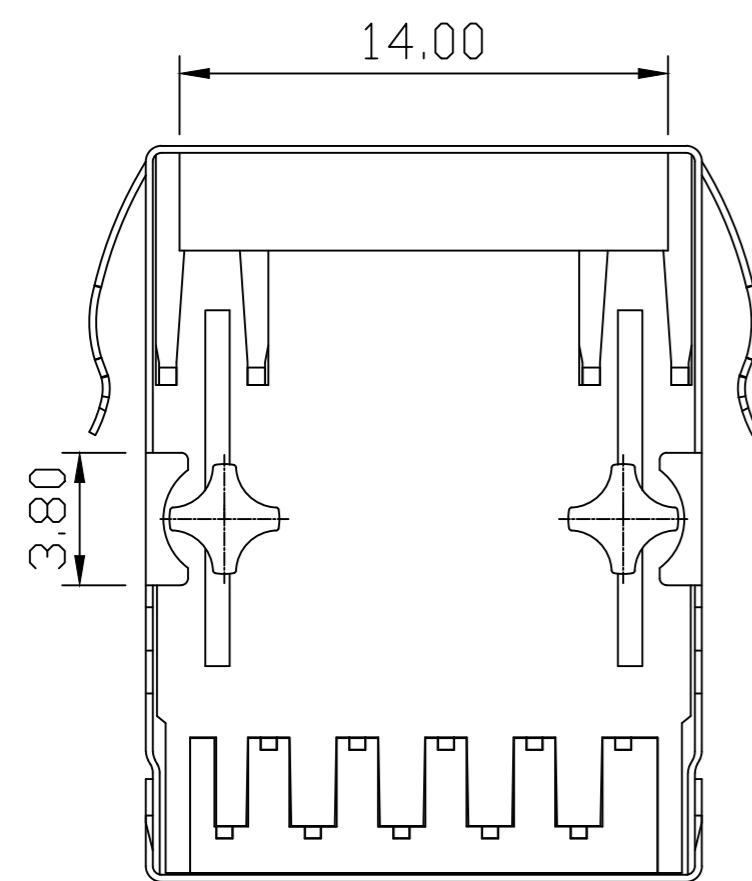
Front Side View



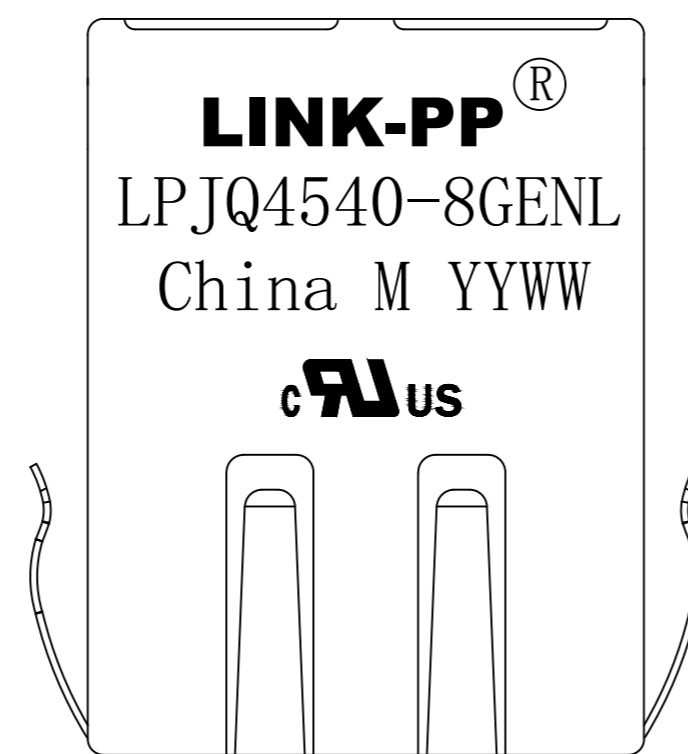
Left Side View



Suggested PCB Layout (Top View)



Bottom Side View



Top Side View

NOTES:

1. Designed to support application, such as SOHO (ADSL modems), LAN-on-Motherboard (LOM), hub and Switches.
2. Meets IEEE802.3 specification
3. Connector Materials:
Housing: Thermoplastic PBT+30%G.F UL94V-0
Contact: Phosphor Bronze C5210R-EH Thickness=0.35mm
Pins: Brass C2680R-H Thickness=0.35mm
Shield: SUS 304-1/2H Thickness=0.2mm
Contact plating: Gold 30 micro-inches min. In contact area.
4. Wave solder tip temperature: 250°C, 5 Sec.
5. UL Certification: File Number E484635.



X:X ±0.30	APPD: TOM	LINK-PP INT'L TECHNOLOGY CO., LIMITED		
X:XX ±0.25	CHKD: JAMES			
X:XXX ±0.05	DR: LEO			
ANGLES ±1°	UNIT: mm	TITLE: RJ45 Connector with 5G Base-T Integrated Magnetics		
		PART NO.: LPJQ4540-8GENL		
	SCALE: 2/1	SHEET: 2/2	REV: A	DWG NO.: LP20082533