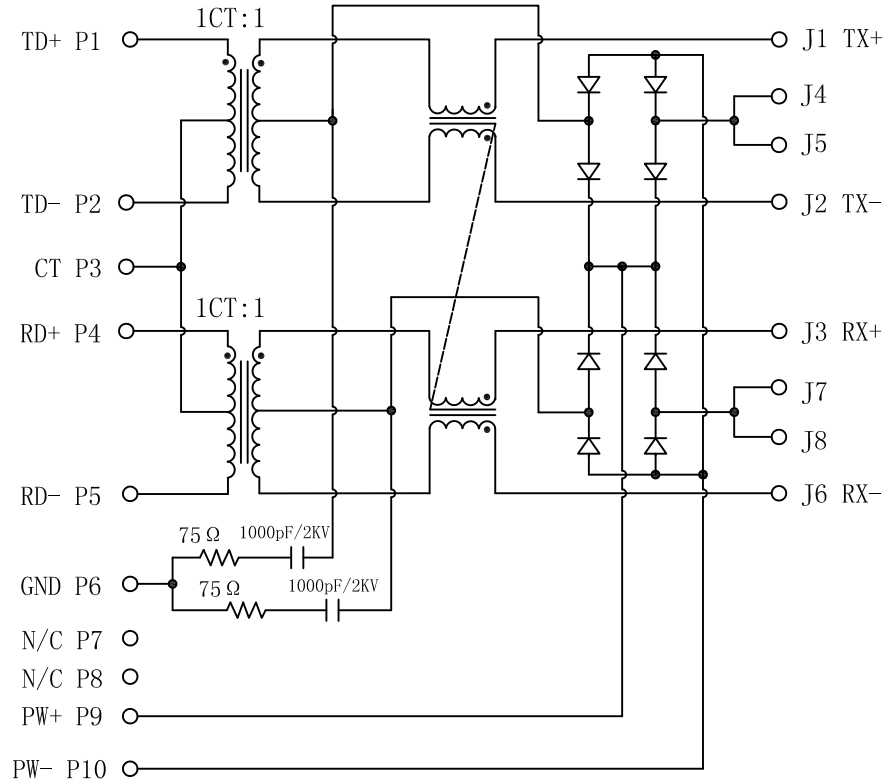


Schematic:

REV.	ECN NO.	DESCRIPTION	DATE	APPD
A	REL		2014-07-21	

PC BOARD CONNECTIONS



RJ45 CONNECTOR

ELECTRICAL SPECIFICATIONS @25°C

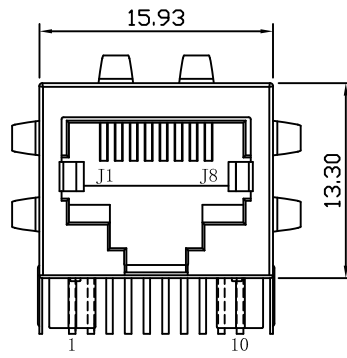
- Turn Ratio: 1CT:1  $\pm 3\%$   
(P1-P2:J1-J2)  
(P4-P5:J3-J6)
- OCL (@100KHz, 0.1Vrms, 18mA):  
(P1-P2, P4-P5) 350uH Min
- Insertion Loss:  
0.1-100MHz: -1.1dB Max
- Return Loss:  
0.5-30MHz: -18dB Min  
40MHz: -15.5dB Min  
50MHz: -13.6dB Min  
60-80MHz: -12dB Min
- Cross talk:  
0.1-100MHz: -40dB Typ
- Common Mode Rejection:  
0.1-30MHz: -50dB Typ  
30-60MHz: -40dB Typ  
60-100MHz: -35dB Typ
- Isolation: 1500Vrms
- Operating Temperature: -40°C TO +85°C.



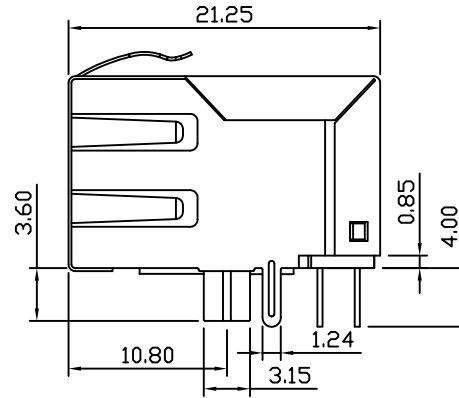
X:X	$\pm 0.30$	APPD:	LINK-PP INT'L TECHNOLOGY CO., LIMITED	
X:XX	$\pm 0.25$	CHKD:	TITLE: RJ45 Connector with 10/100 Base-T Integrated Magnetics For PoE+ Application	
X:XXX	$\pm 0.05$	DR: TOM	PART NO.: LPJP4155CNL	
ANGLES	$\pm 1^\circ$	UNIT: mm	DWG NO.: LP14072125	
	SCALE: 2/1	SHEET: 1/2	REV: A	

# Mechanical:

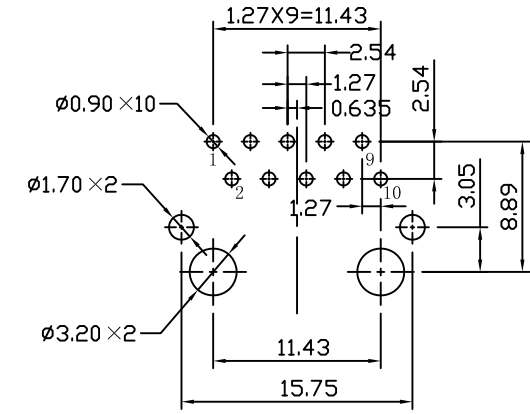
REV.	ECN NO.	DESCRIPTION	DATE	APPD
A	REL		2014-07-21	



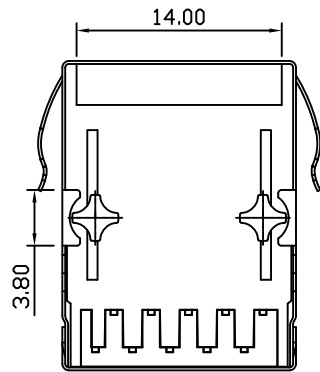
Front Side View



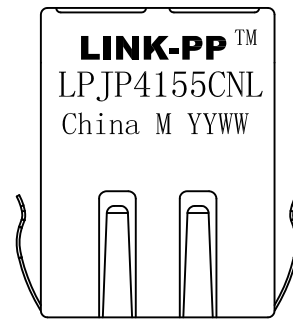
Left Side View



Suggested PCB Layout(Top View)



Bottom Side View



Top Side View

### NOTES:

1. Designed to support application, such as SOHO (ADSL modems), LAN-on-Motherboard (LOM), hub and Switches.
2. Designed for PoE, IEEE802.3at applications
3. Power on used or unused pairs for up to 720mADC.
4. Connector Materials:  
 Housing: Thermoplastic PBT+30%G.F UL94V-0  
 Contact: Phosphor Bronze C5210R-EH Thickness=0.35mm  
 Pins: Brass C2680R-H Thickness=0.35mm  
 Shield: SUS 201-1/2H Thickness=0.2mm  
 Contact plating: Gold 6 micro-inches min. In contact area.
5. Wave solder tip temperature: 265°C Max, 5 Sec Max.

X:X	±0.30	APPD:	LINK-PP INT'L TECHNOLOGY CO., LIMITED	
X:XX	±0.25	CHKD:	TITLE: RJ45 Connector with 10/100 Base-T Integrated Magnetics For PoE+ Application	
X:XXX	±0.05	DR: TOM	PART NO.: LPJP4155CNL	
ANGLES	±1°	UNIT: mm	DWG NO.: LP14072125	
	SCALE: 2/1	SHEET: 2/2	REV: A	