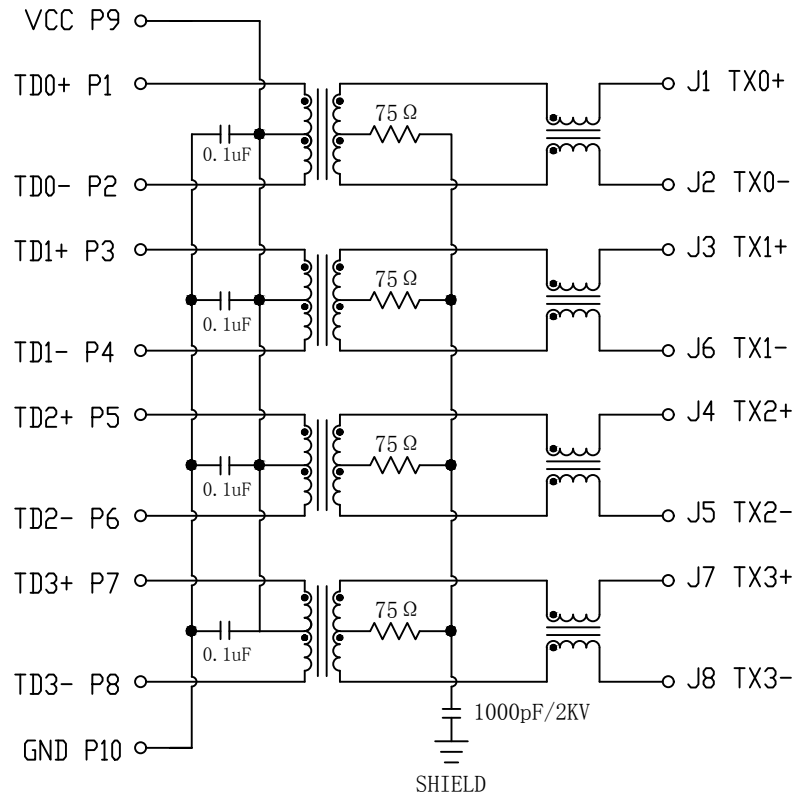


Schematic:

REV.	ECN NO.	DESCRIPTION	DATE	APPD
A	REL		2023/02/02	

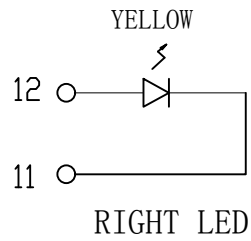
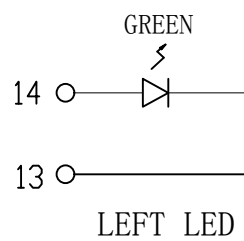
PCB CONNECTIONS



RJ45 CONNECTOR

ELECTRICAL SPECIFICATIONS @25°C

- Turn Ratio : 1CT:1CT +/- 5%
- OCL: 200uH Min @100KHz , 0.1V
- Insertion Loss (dB Max):
1-100MHz: -1.0 100-125MHz: -1.5
- Return Loss(dB Min):
1-30MHz: -16 30-100MHz: -12
100-150MHz: -10
- Cross Talk:
1-125MHz: -25dB Min.
- Common Mode Rejection(dB Min):
1-125MHz: -30
- Common Mode to Differential Mode Rejection(dB Min):
1-100MHz: -30 100-125MHz:-25.
- Isolation Hi-Pot: 2250VDC Min@ 60S
- Operating Temperature Range: -40°C ~+85°C.



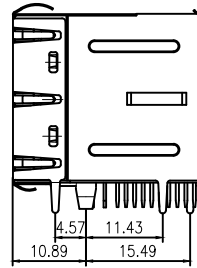
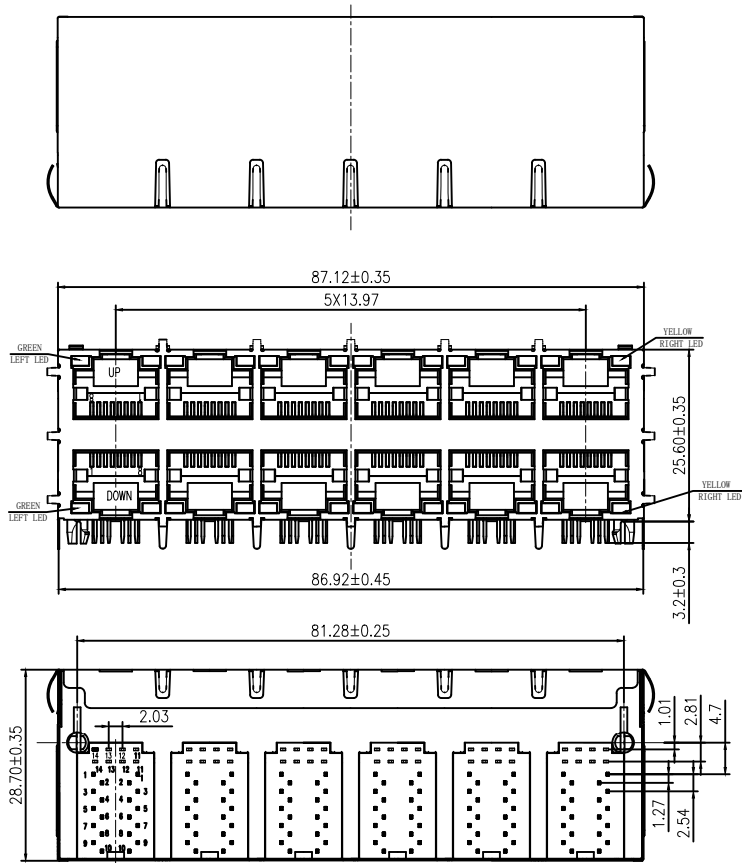
Emitting Color	λ_p (nm)	V _F @I _F =20mA	I _R @V _R =5V
GREEN	565	1.8~2.4V	10 μ A max
YELLOW	585	1.8~2.4V	10 μ A max



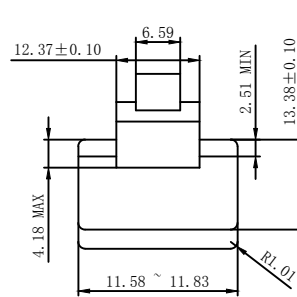
X:X ±0.30	APPD: TOM	LINK-PP INT'L TECHNOLOGY CO., LIMITED		
X:XX ±0.25	CHKD: JAMES			
X:XXX ±0.05	DR: LEO	TITLE: RJ45 Transformer & 2×6. 2.5G Base-T W/LED		
ANGLES ±1°	UNIT: mm [Inches]	PART NO.: LPJM67461AHNL		
	SCALE: 2/1	SHEET: 1/2	REV: A	DWG NO.: LP23020201

Mechanical:

REV.	ECN NO.	DESCRIPTION	DATE	APPD
A	REL		2023/02/02	

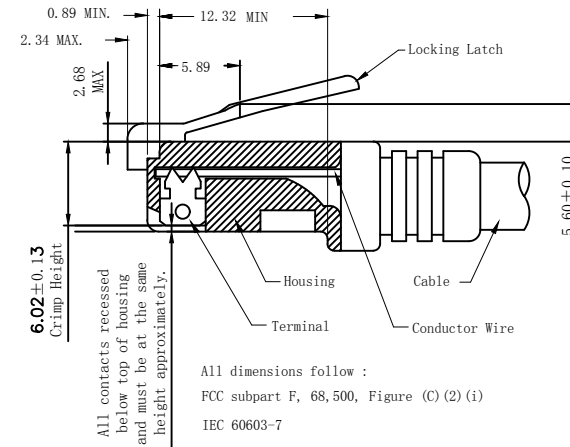


Recommend Plug Dim



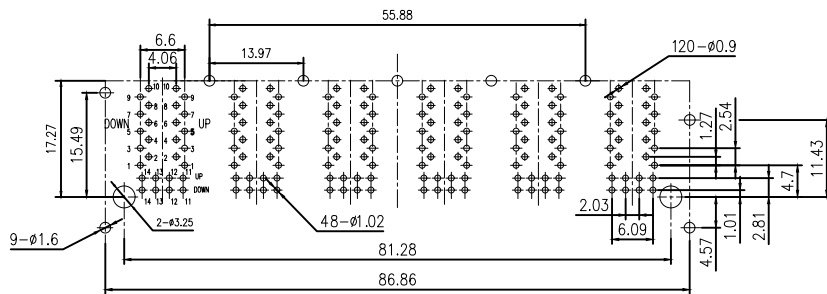
NOTES:

1. Designed to support application, such as SOHO (ADSL modems), LAN-on-Motherboard (LOM), hub and Switches.
2. Meets IEEE 802.3 specification
3. Connector Materials:
Housing: Thermoplastic UL94V-0
Contact/Shield: Copper alloy
Shield plating: Nickel
Contact plating: Gold 6 micro-inches min. In contact area.
4. Wave solder tip temperature: 265°C Max, 5 Sec.
5. UL Certification: File Number E484635.



All dimensions follow :
FCC subpart F, 68, 500, Figure (C) (2) (i)
IEC 60603-7

STANDARD MODULAR PLUG ASSEMBLY



Suggested PCB Pad Layout
Component Side View



X:X ±0.30	APPD: TOM	LINK-PP INT'L TECHNOLOGY CO., LIMITED
X:XX ±0.25	CHKD: JAMES	
X:XXX ±0.05	DR: LEO	TITLE: RJ45 Transformer & 2×6. 2.5G Base-T W/LED
ANGLES ±1°	UNIT: mm [Inches]	PART NO.: LPJM67461AHNL
	SCALE: 2/1	SHEET: 2/2
	REV: A	DWG NO.: LP23020201