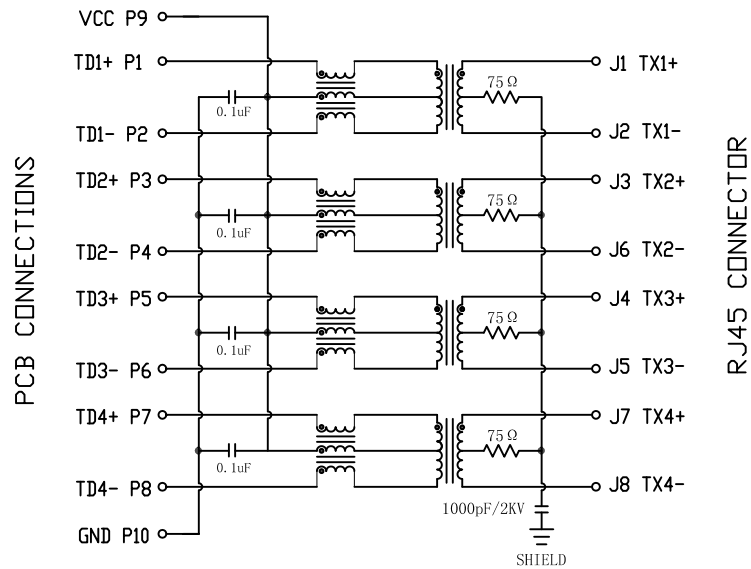


Schematic:

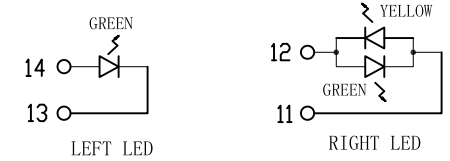
REV.	ECN NO.	DESCRIPTION	DATE	APPD
A	REL		2020/10/15	

UPPER/10G



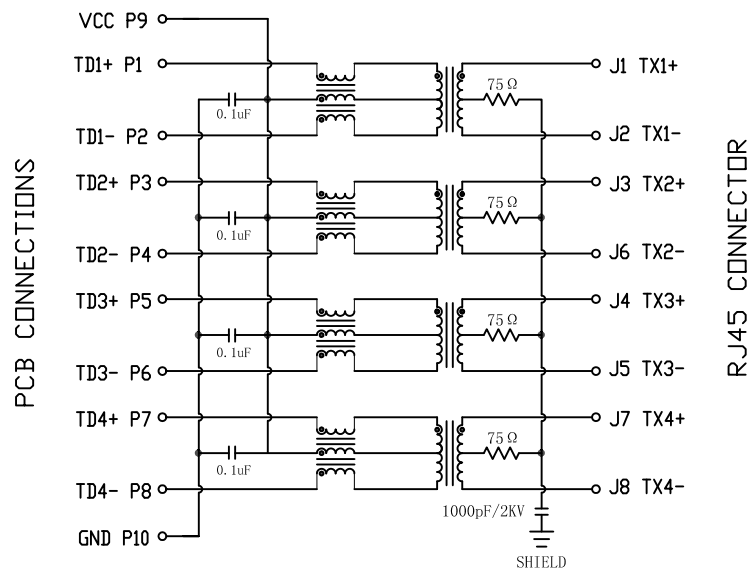
Electrical Specifications @25°C

- Turns Ratio(@50KHz 0.1V):
Pri : Sec = 1CT : 1CT
- OCL:
120uH Min @100KHz, 100mV
- Insertion Loss:
200~400MHz:-2.0dB Max
400~500MHz:-3.0dB Max
- Return Loss(dB Min):
40~400MHz:-16dB+10*Log
400~500MHz:-16dB+30*Log
- Crosstalk(dB Min):
150~500MHz:-30
- Common Mode Rejection(dB Min):
150~500MHz:-25
- Isolation: 1500Vrms/0.5mA
- Operating Temperature: 0°C~70°C.



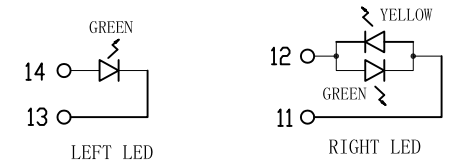
Emitting Color	λ_p (nm)	$V_F @ I_F=20mA$	$I_R @ V_R=5V$
GREEN	565	1.8~2.6V	10 μ A max
YELLOW	585	1.8~2.6V	10 μ A max

LOWER/1G



Electrical Specifications @25°C

- Turns Ratio:
Pri : Sec = 1CT : 1CT
- OCL:
350uH Min @100KHz, 100mV, 8mADC
- Insertion Loss:
1~100MHz:-1.0dB Max
- Return Loss(dB Min):
1~30MHz:-18 30~60MHz:-16
60~80MHz:-12 80~100MHz:-10
- Crosstalk(dB Min):
1~100MHz:-30
- Common Mode Rejection(dB Min):
1~100MHz:-30
- Isolation: 1500Vrms/0.5mA
- Operating Temperature: 0°C~70°C.



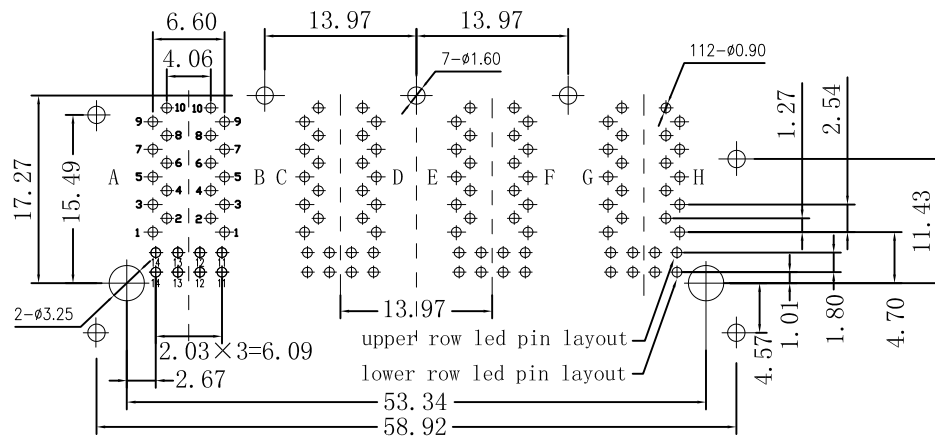
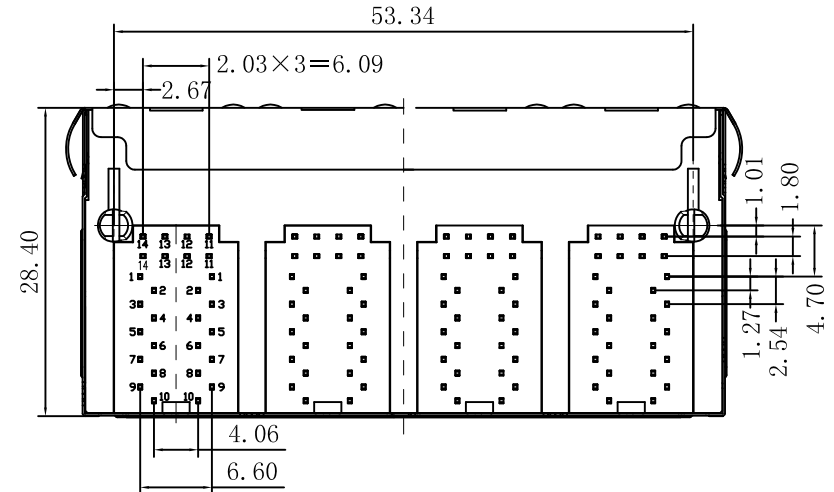
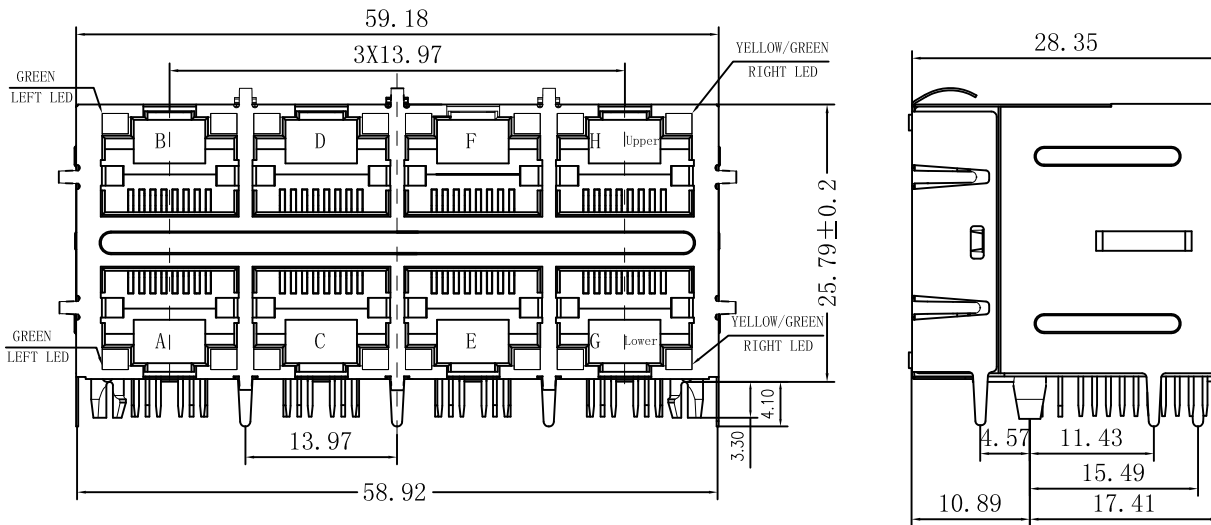
Emitting Color	λ_p (nm)	$V_F @ I_F=20mA$	$I_R @ V_R=5V$
GREEN	565	1.8~2.6V	10 μ A max
YELLOW	585	1.8~2.6V	10 μ A max



X:X	±0.30	APPD:	LINK-PP INT'L TECHNOLOGY CO., LIMITED		
X:XX	±0.25	CHKD:	TITLE: RJ45 .Transformer, 1000/10G Base-T 2x4 Ports.		
X:XXX	±0.05	DR: TOM	PART NO.: LPJM47513A8NL		
ANGLES	±1°	UNIT: mm	DWG NO.: LP20101501		
	SCALE: 2/1	SHEET: 1/2	REV: A		

Mechanical :

REV.	ECN NO.	DESCRIPTION	DATE	APPD
A	REL		2020/10/15	



SUGGESTED PCB LAYOUT (TOP VIEW)



NOTES:

1. Designed to support application, such as SOHO (ADSL modems), LAN-on-Motherboard (LOM), hub and Switches.
2. Meets IEEE 802.3 specification
3. Connector Materials:
Housing: Thermoplastic UL94V-0
Contact/Shield: Copper alloy
Shield plating: Nickel
Contact plating: Gold 6 micro-inches min. In contact area.
4. Wave solder tip temperature: 265°C Max, 5 Sec.
5. UL Certification: File Number E484635.

X:X	±0.30	APPD:	LINK-PP INT'L TECHNOLOGY CO., LIMITED
X:XX	±0.25	CHKD:	
X:XXX	±0.05	DR: TOM	TITLE: RJ45 .Transformer. 1000/10G Base-T 2X4 Ports.
ANGLES	±1°	UNIT: mm	PART NO.: LPJM47513A8NL
	SCALE: 2/1	SHEET: 2/2	REV: A
			DWG NO.: LP20101501