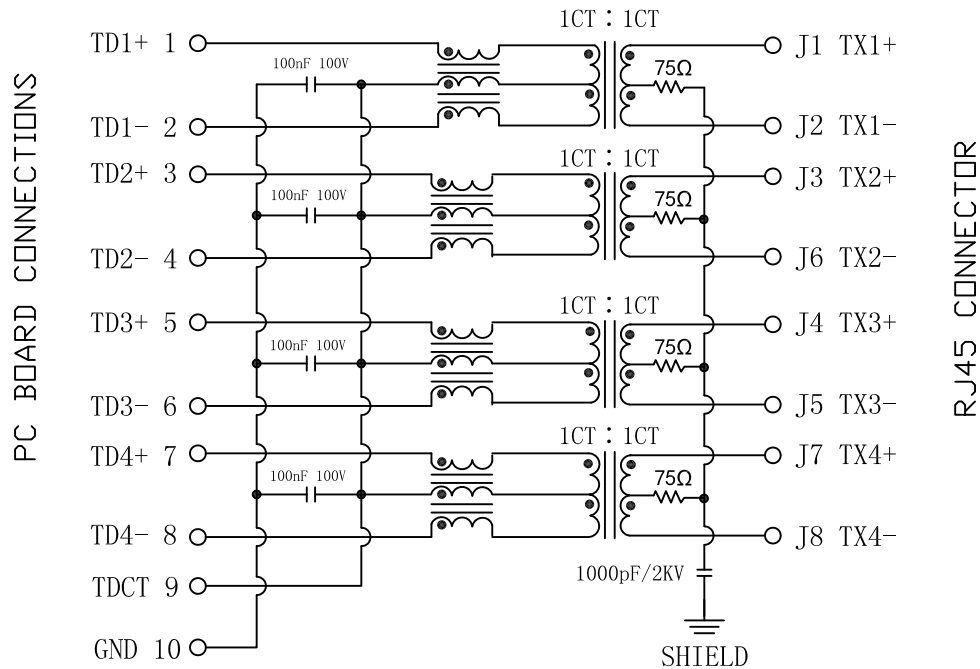
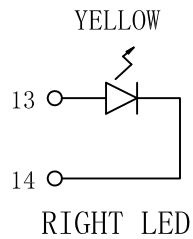
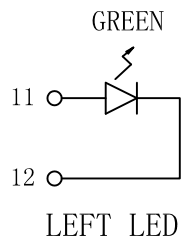


REV.	ECN NO.	DESCRIPTION	DATE	APPD
A	REL		2020-07-02	



ELECTRICAL SPECIFICATIONS @25°C

- Turn Ratio(±2%):
Pri : Sec = 1CT : 1CT
- Inductance OCL:
150uH Min @100KHz, 0.1V
- Insertion Loss(dB Max):
1~50MHz:-0.5 50~125MHz:-1.0
- Return Loss(dB Min):
1~40MHz:-20
40~200MHz:-20+15*LOG₁₀(f/40)
- Cross talk(dB Min):
1~125MHz:-30
- Common Mode Rejection Ratio(dB Min):
30~200MHz:-30
- Common to Diff Rejection Ratio(dB Min):
10~125MHz:-45+f/35
- Hipot Test: 1500Vrms Min
- Operating Temperature: -40°C~+85°C.

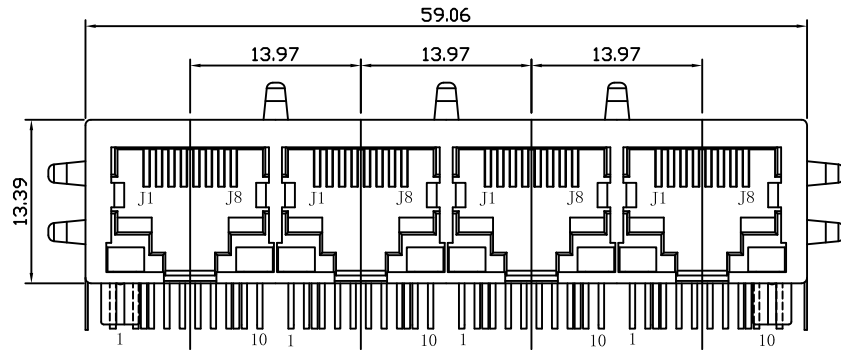


Emitting Color	λp(nm)	VF@IF=20mA	IR @VR=5V
GREEN	565	1.8~2.6V	10 μA max
YELLOW	585	1.8~2.6V	10 μA max

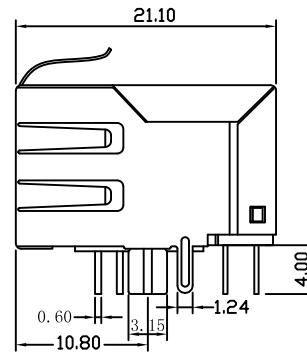
X:X ±0.30	APPD:	LINK-PP INT'L TECHNOLOGY CO., LIMITED
X:XX ±0.25	CHKD:	
X:XXX ±0.05	DR: TOM	TITLE: 1*4 RJ45 Connector with 2.5G Integrated Magnetics
ANGLES ±1°	UNIT: mm	PART NO.: LPJM46938AENL-2
	SCALE: 2/1	SHEET: 1/2
	REV: A	DWG NO.: LP20070216

Mechanical:

REV.	ECN NO.	DESCRIPTION	DATE	APPD
A	REL		2020-07-02	



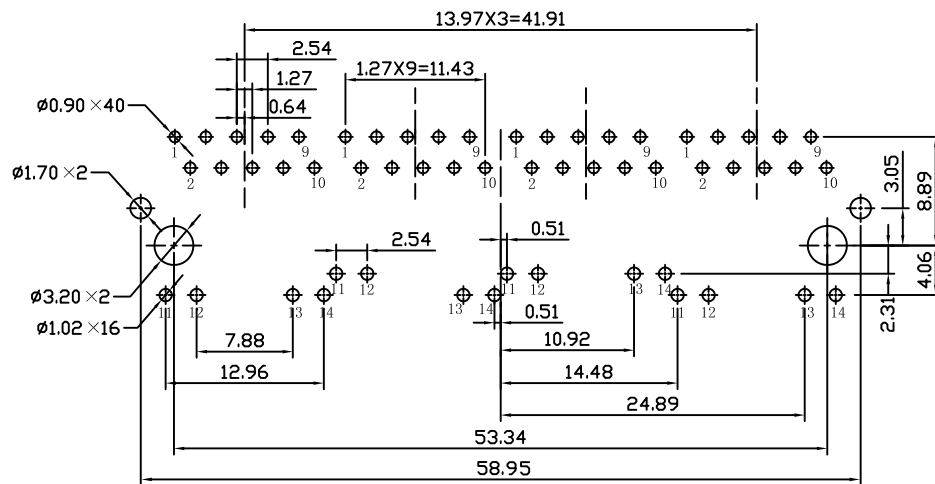
Front Side View



Left Side View



Top Side View



Suggested PCB Layout (Top View)



NOTES:

1. Designed to support application, such as SOHO (ADSL modems), LAN-on-Motherboard (LOM), hub and Switches.
2. Meets IEEE 802.3 specification
3. Connector Materials:
Housing Material: Thermoplastic PBT+30%G.F UL94V-0
Contact Material: Phosphor Bronze C5210R-EH Thickness=0.35mm
Pins: Brass C2680R-H Thickness=0.35mm
Shield: SUS S201-1/2H Thickness=0.2mm
Contact plating: Gold 6 micro-inches min. In contact area.
4. Wave solder tip temperature: 265°C Max, 5 Sec.
5. UL Certification: File Number E484635.

X:X ±0.30	APPD:	LINK-PP INT'L TECHNOLOGY CO., LIMITED
X:XX ±0.25	CHKD:	
X:XXX ±0.05	DR: TOM	TITLE: 1*4 RJ45 Connector with 2.5G Integrated Magnetics
ANGLES ±1°	UNIT: mm	PART NO.: LPJM46938AENL-2
	SCALE: 2/1	SHEET: 2/2
	REV: A	DWG NO.: LP20070216