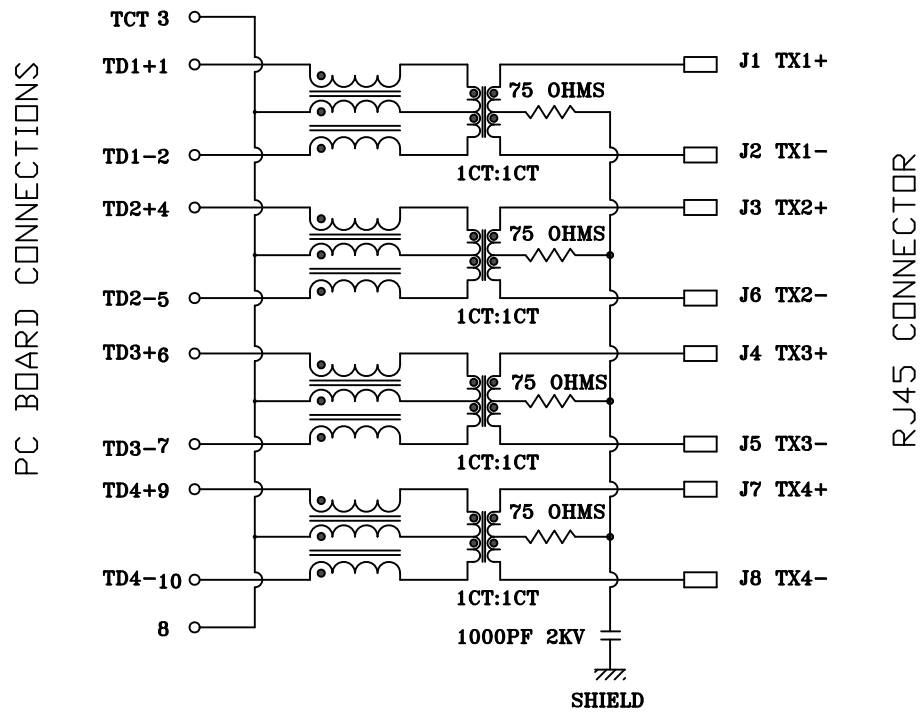


Schematic:

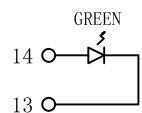
REV.	ECN NO.	DESCRIPTION	DATE	APPD
A	REL		2021/06/01	



ELECTRICAL SPECIFICATIONS @25°C

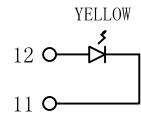
- Turn Ratio : 1CT:1CT +/- 5%
- OCL: 200uH Min @100KHz , 0.1V
- Insertion Loss (dB Max):
 - 1-100MHz: -1.0
 - 100-125MHz: -1.5
- Return Loss(dB Min):
 - 1-30MHz: -16
 - 30-100MHz: -12
 - 100-150MHz: -10
- Cross Talk:
 - 1-125MHz: -25dB Min.
- Common Mode Rejection(dB Min):
 - 1-125MHz: -30
- Common Mode to Differential Mode Rejection(dB Min):
 - 1-100MHz: -30
 - 100-125MHz: -25.
- Isolation Hi-Pot: 1500Vrms Min
- Operating Temperature Range: 0°C ~ 70°C.

Emitting Color	λ_p (nm)	V _F @I _F =20mA	I _R @V _R =5V
GREEN	565	1.8~2.6V	10 μ A max
YELLOW	585	1.8~2.6V	10 μ A max



LEFT LED

LED POLARITY		COLOR
PIN 14	PIN 13	
+	-	GREEN



RIGHT LED

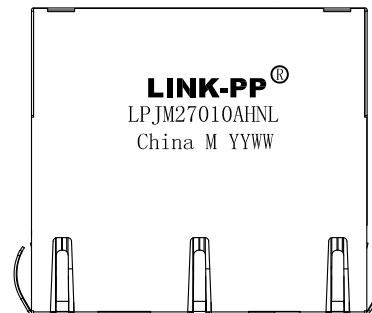
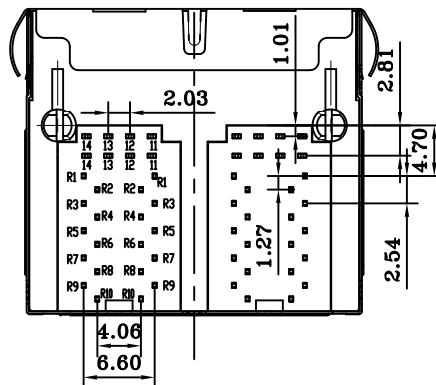
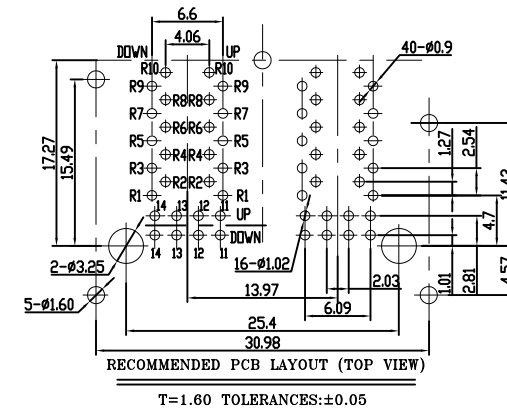
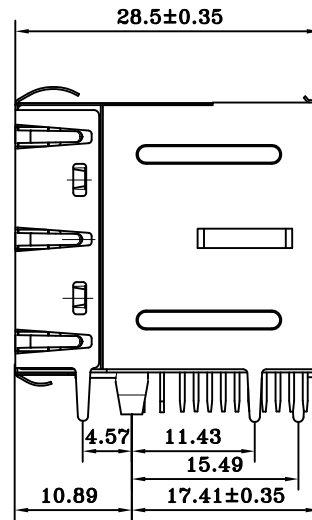
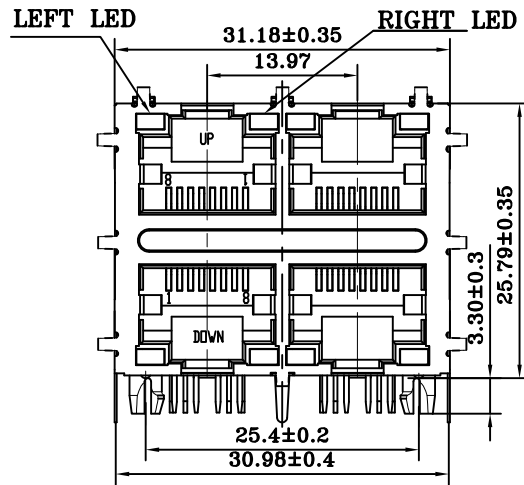
LED POLARITY		COLOR
PIN 12	PIN 11	
+	-	YELLOW



X:X	±0.30	APPD:	LINK-PP INT'L TECHNOLOGY CO., LIMITED
X:XX	±0.25	CHKD:	
X:XXX	±0.05	DR: TOM	TITLE: 2x2 Ports RJ45 Connector With 2.5G Base-T Transformer.
ANGLES	±1°	UNIT: mm	PART NO.: LPJM27010AHNL
	SCALE: 2/1	SHEET: 1/2	REV: A
			DWG NO.: LP21123101

Mechanical :

REV.	ECN NO.	DESCRIPTION	DATE	APPD
A	REL		2021/06/01	



NOTES:

1. Designed to support application, such as SOHO (ADSL modems), LAN-on-Motherboard (LOM), hub and Switches.
2. Meets IEEE 802.3 specification
3. Connector Materials:
Housing: Thermoplastic UL94V-0
Contact/Shield: Copper alloy
Shield plating: Nickel
Contact plating: Gold 6 micro-inches min. In contact area.
4. Wave solder tip temperature: 265°C Max, 5 Sec.
5. UL Certification: File Number E484635.

X:X	±0.30	APPD:	LINK-PP INT'L TECHNOLOGY CO., LIMITED	
X:XX	±0.25	CHKD:	TITLE:	
X:XXX	±0.05	DR: TOM	2×2 Ports RJ45 Connector With 2.5G Base-T Transformer.	
ANGLES	±1°	UNIT: mm	PART NO.: LPJM27010AHNL	
	SCALE: 2/1	SHEET: 2/2	REV: A	DWG NO.: LP21123101