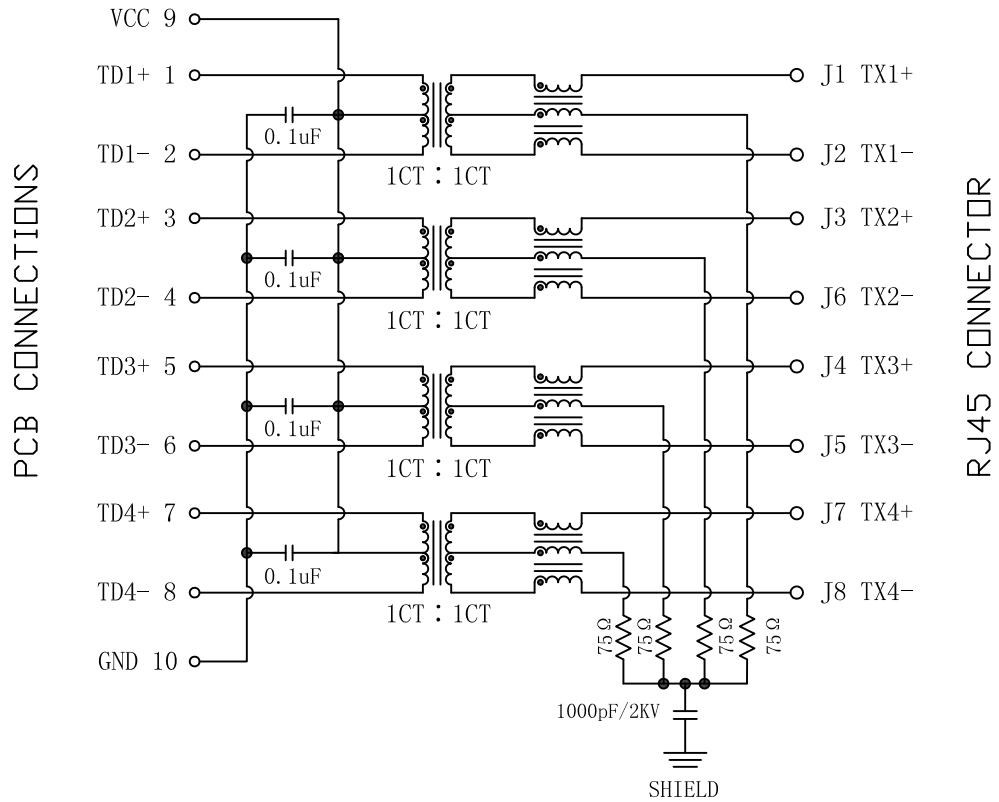


# Schematic:

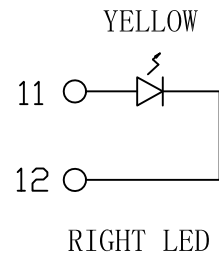
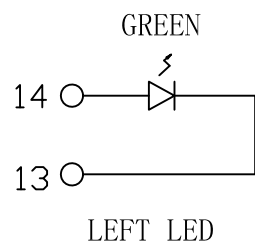
| REV. | ECN NO. | DESCRIPTION | DATE       | APPD |
|------|---------|-------------|------------|------|
| A    | REL     |             | 2021-05-11 |      |



## Electrical Specifications @25°C

- Turns Ratio:  
PRI:SEC = 1CT:1CT ±2%
- OCL:  
350uH MIN @100KHz, 100mV, 8mADC
- Insertion Loss (dB MAX):  
1~40MHz:-0.8      40~125MHz:-1.2  
125~250MHz:-2.0
- Return Loss (dB MIN):  
1~40MHz:-18      40~100MHz:-16  
100~125MHz:-14      125~250MHz:-10
- Crosstalk:  
1~250MHz:-30dB MIN
- Common Mode Rejection:  
1~250MHz: -40dB MIN
- Isolation: 1500Vrms MIN
- Operating Temperature Range: -40°C ~ +85°C.

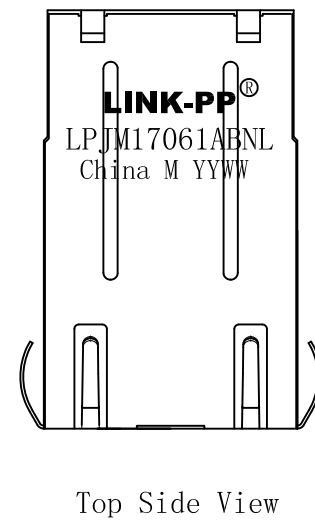
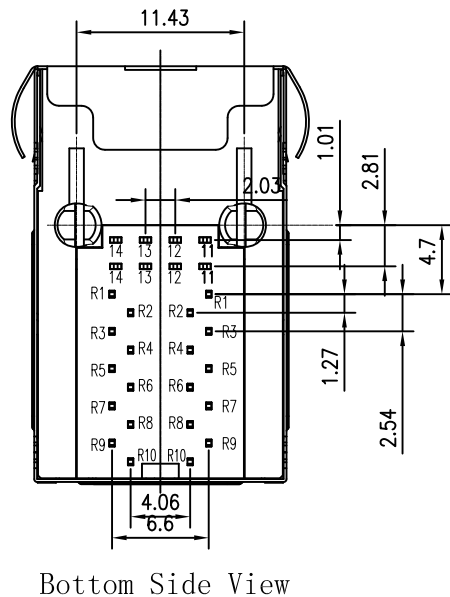
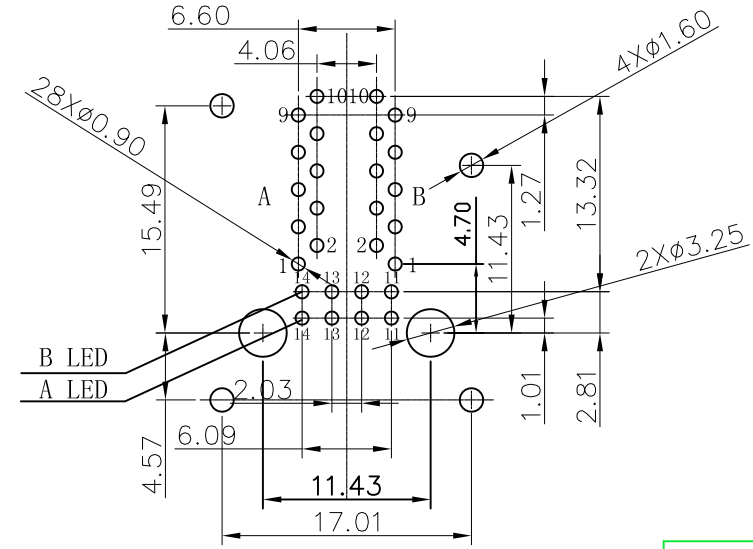
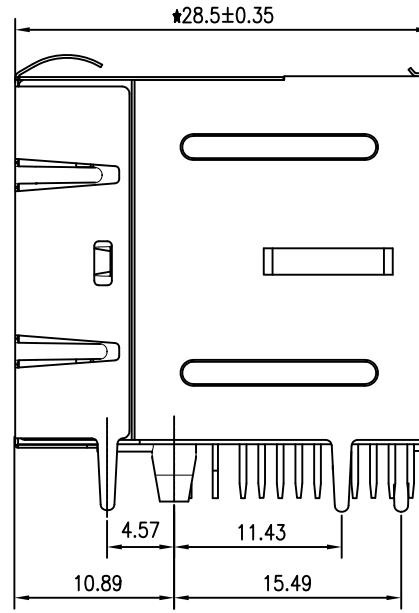
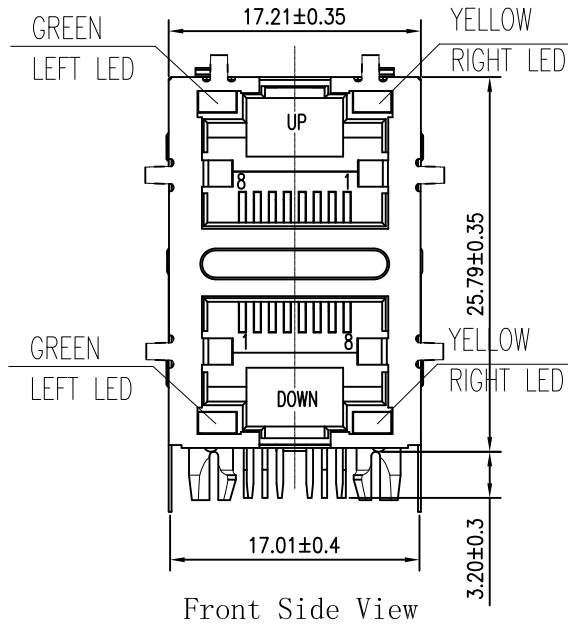
| Emitting Color | λp(nm) | V <sub>F</sub> @I <sub>F</sub> =20mA | I <sub>R</sub> @V <sub>R</sub> =5V |
|----------------|--------|--------------------------------------|------------------------------------|
| GREEN          | 565    | 1.8~2.6V                             | 10 μA max                          |
| YELLOW         | 585    | 1.8~2.6V                             | 10 μA max                          |



|             |            |   |
|-------------|------------|---|
| X:X ±0.30   | APPD:      | LINK-PP INT'L TECHNOLOGY CO., LIMITED                           |
| X:XX ±0.25  | CHKD:      |   |
| X:XXX ±0.05 | DR: TOM    | TITLE: 2*1 RJ45 Connector with 2.5G Base-T Integrated Magnetics |
| ANGLES ±1°  | UNIT: mm   | PART NO.: LPJM17061ABNL   |
|             | SCALE: 2/1 | SHEET: 1/2  |
|             | REV: A     | DWG NO.: LP21051101   |

# Mechanical:

| REV. | ECN NO. | DESCRIPTION | DATE       | APPD |
|------|---------|-------------|------------|------|
| A    | REL     |             | 2021-05-11 |      |



## NOTES:

1. Meets IEEE 802.3 specification
2. Connector Materials:
  - Housing Material: Thermoplastic PBT+30%G.F UL94V-0
  - Contact Material: Phosphor Bronze C5210R-EH Thickness=0.35mm
  - Pins: Brass C2680R-H Thickness=0.35mm
  - Shield: Copper alloy Brass H65Y Thickness=0.20mm
  - Shield plating: Nickel
  - Contact plating: Gold 6 micro-inches min. In contact area.
3. Wave solder tip temperature: 250°C, 5 Sec.
4. UL Certification: File Number E484635.

|             |            |   |
|-------------|------------|---|
| X:X ±0.30   | APPD:      | LINK-PP INT'L TECHNOLOGY CO., LIMITED                           |
| X:XX ±0.25  | CHKD:      |   |
| X:XXX ±0.05 | DR: TOM    | TITLE: 2*1 RJ45 Connector with 2.5G Base-T Integrated Magnetics |
| ANGLES ±1°  | UNIT: mm   | PART NO.: LPJM17061ABNL   |
|             | SCALE: 2/1 | SHEET: 2/2  |
|             | REV: A     | DWG NO.: LP21051101   |