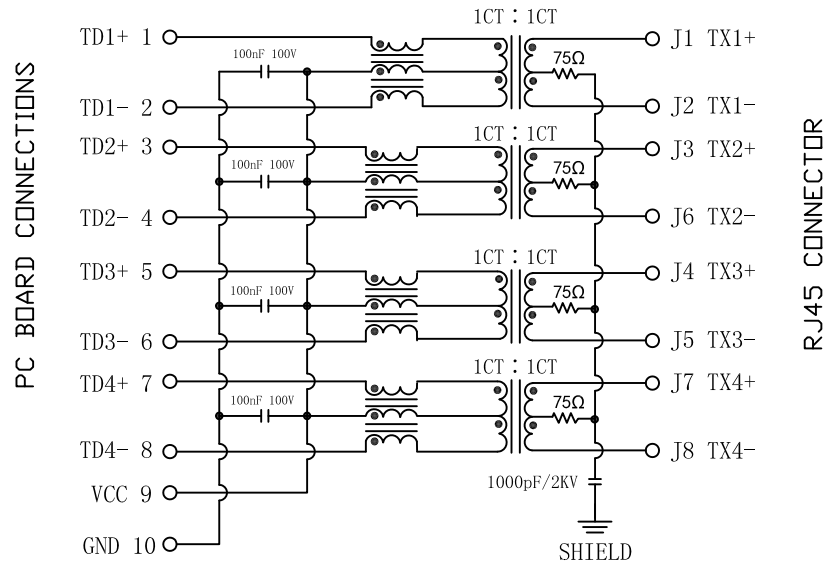


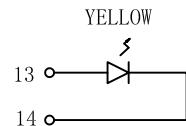
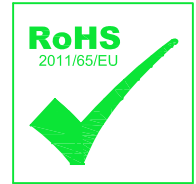
# Schematic:

REV.	ECN NO.	DESCRIPTION	DATE	APPD
A	REL		2021-01-28	



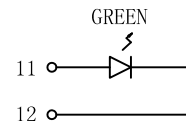
## ELECTRICAL SPECIFICATIONS @25°C

- Turn Ratio ( $\pm 2\%$ ):  
Pri : Sec = 1CT : 1CT
- Inductance OCL:  
150uH Min @100KHz, 0.1V
- Insertion Loss (dB Max):  
1~50MHz: -0.5      50~125MHz: -1.0
- Return Loss (dB Min):  
1~40MHz: -20  
40~200MHz: -20+15\*LOG (f/40)
- Cross talk (dB Min):  
1~125MHz: -30
- Common Mode Rejection Ratio (dB Min):  
30~200MHz: -30
- Common to Diff Rejection Ratio (dB Min):  
10~125MHz: -45+f/35
- Hipot Test: 1500Vrms Min
- Operating Temperature: -40°C ~ +85°C.



LEFT LED

LED POLARITY		COLOR
PIN 13	PIN 14	
+	-	YELLOW



RIGHT LED

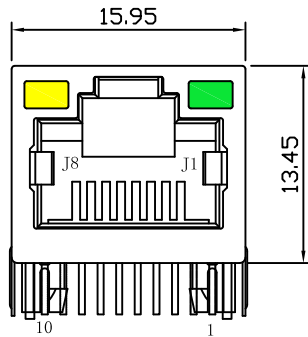
LED POLARITY		COLOR
PIN 11	PIN 12	
+	-	GREEN

Emitting Color	$\lambda_p$ (nm)	V <sub>F</sub> @I <sub>F</sub> =20mA	I <sub>R</sub> @V <sub>R</sub> =5V
GREEN	565	1.8~2.6V	10 $\mu$ A max
YELLOW	585	1.8~2.6V	10 $\mu$ A max

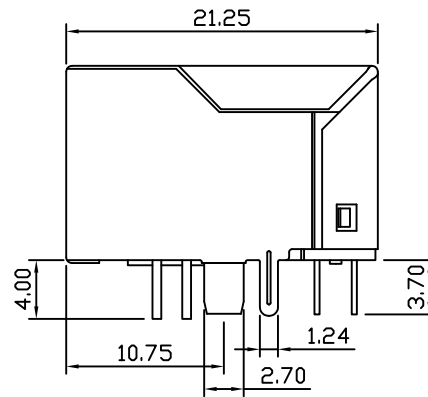
X:X	$\pm 0.30$	APPD:	LINK-PP INT'L TECHNOLOGY CO., LIMITED	
X:XX	$\pm 0.25$	CHKD:	TITLE: RJ45 Connector with 2.5G Base-T Integrated Magnetics	
X:XXX	$\pm 0.05$	DR: TOM		
ANGLES $\pm 1^\circ$		UNIT: mm	PART NO.: LPJM16438BDNL	
	SCALE: 2/1	SHEET: 1/2	REV: A	DWG NO.: LP21012801

# Mechanical:

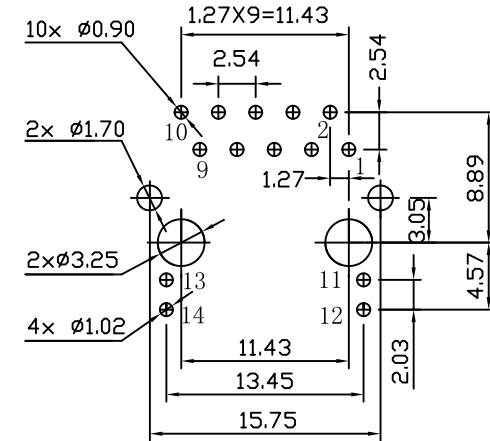
REV.	ECN NO.	DESCRIPTION	DATE	APPD
A	REL		2021-01-28	



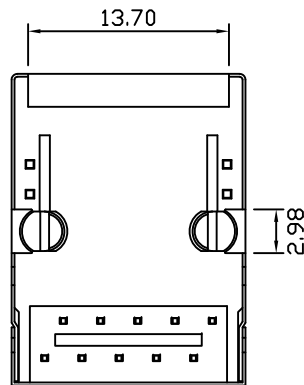
Front Side View



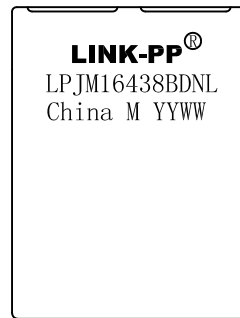
Left Side View



Suggested PCB Layout (Top View)



Bottom Side View



Top Side View

## NOTES:

1. Designed to support application, such as SOHO (ADSL modems), LAN-on-Motherboard (LOM), hub and Switches.
2. Meets IEEE802.3 specification.
3. Connector Materials:  
 Housing: Thermoplastic PBT+30%G.F UL94V-0  
 Contact: Phosphor Bronze C5210R-EH Thickness=0.35mm  
 Pins: Brass C2680R-H Thickness=0.35mm  
 Shield: SUS 201-1/2H Thickness=0.2mm  
 Contact plating: Gold 6 micro-inches min. In contact area.
4. Wave solder tip temperature: 250°C, 5 Sec.
5. UL Certification: File Number E484635.

X:X ±0.30	APPD:	LINK-PP INT'L TECHNOLOGY CO., LIMITED
X:XX ±0.25	CHKD:	
X:XXX ±0.05	DR: TOM	TITLE: RJ45 Connector with 2.5G Base-T Integrated Magnetics
ANGLES ±1°	UNIT: mm	PART NO.: LPJM16438BDNL
	SCALE: 2/1	SHEET: 2/2
	REV: A	DWG NO.: LP21012801