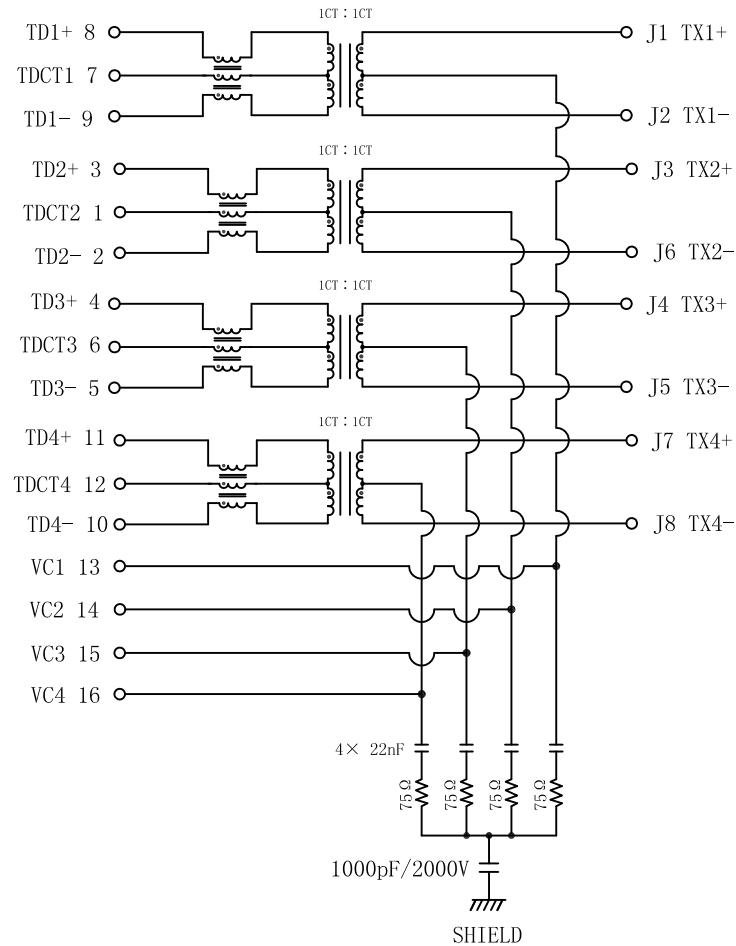


# Schematic:

REV.	ECN NO.	DESCRIPTION	DATE	APPD
A	REL		2022-01-22	

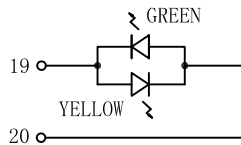
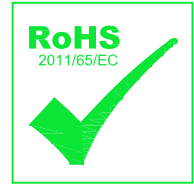
PC BOARD CONNECTIONS



RJ45 CONNECTOR

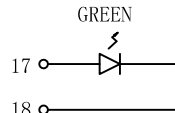
## ELECTRICAL SPECIFICATIONS @25°C

- Turn Ratio ( $\pm 2\%$ ):  
Pri:Sec = 1CT:1CT
- Inductance OCL:  
120uH Min @100KHz 0.1V 8mA
- Insertion Loss:  
-1.5dB Max @1-250MHz  
-3.0dB Max @250-500MHz
- Return Loss:  
-18dB Min @1-40MHz  
-14dB Min @40-100MHz  
-11dB Min @100-250MHz  
-8dB Min @250-500MHz
- Cross talk:  
-30dB Min @1-100MHz  
-20dB Min @100-500MHz
- Common Mode Rejection Ratio:  
-28dB Min @1-100MHz  
-22dB Min @100-250MHz  
-20dB Min @250-500MHz
- Balance DC Line current:  
600mA Max @57VDC Continuous.
- Hipot Test: 1500Vrms
- Operating Temperature Range: -40°C to +85°C.



LEFT LED

LED POLARITY		COLOR
PIN 19	PIN 20	
+	-	YELLOW
-	+	GREEN



RIGHT LED

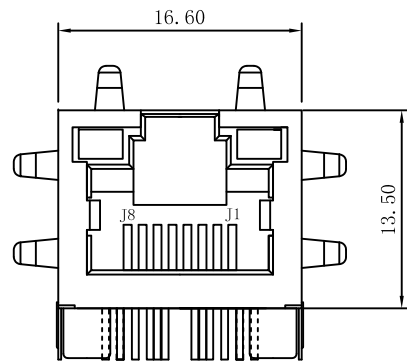
LED POLARITY		COLOR
PIN 17	PIN 18	
+	-	GREEN

Emitting Color	$\lambda_p$ (nm)	VF@IF=20mA	IR @VR=5V
GREEN	565	1.8~2.6V	10 $\mu$ A max
YELLOW	585	1.8~2.6V	10 $\mu$ A max

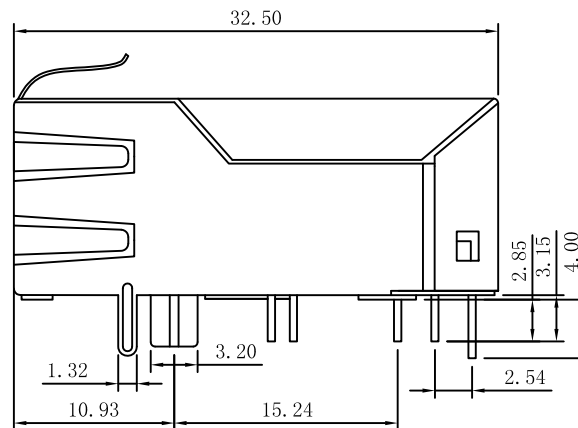
X:X $\pm 0.30$	APPD:	LINK-PP INT'L TECHNOLOGY CO., LIMITED
X:XX $\pm 0.25$	CHKD:	
X:XXX $\pm 0.05$	DR: TOM	TITLE: RJ45 Connector with 10G Base-T Integrated Magnetics For PoE+ Application
ANGLES $\pm 1^\circ$	UNIT: mm	PART NO.: LPJKP9496A9NL
	SCALE: 2/1	SHEET: 1/2
	REV: A	DWG NO.: LP22012201

# Mechanical :

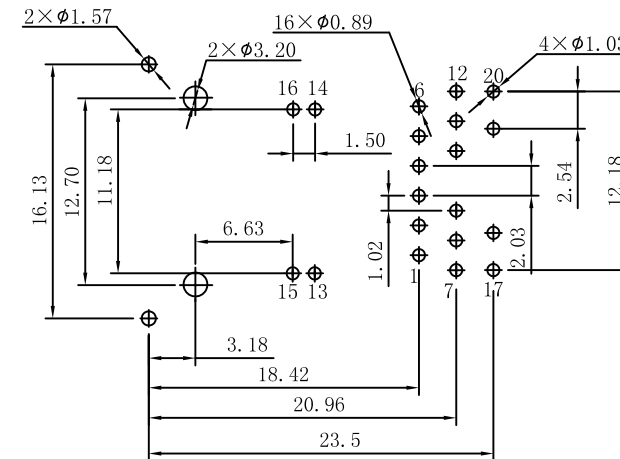
REV.	ECN NO.	DESCRIPTION	DATE	APPD
A	REL		2022-01-22	



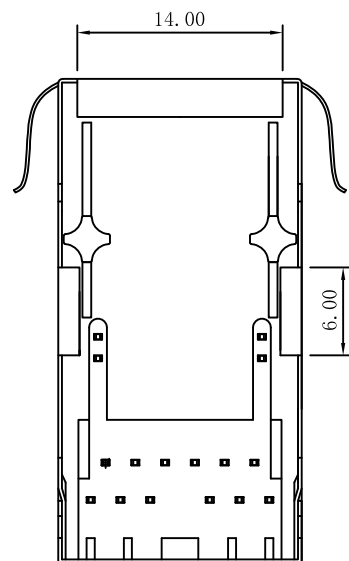
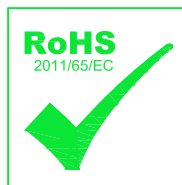
Front Side View



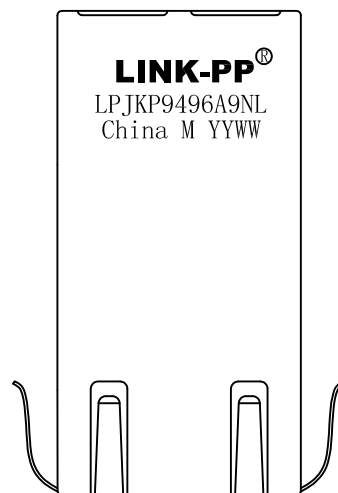
Left Side View



Suggested PCB Layout (Top View)



Bottom Side View



Top Side View

## NOTES:

1. Designed to support application, such as SOHO (ADSL modems), LAN-on-Motherboard (LOM), hub and Switches.
2. Meets IEEE 802.3at specification
3. Connector Materials:  
Housing: Thermoplastic UL94V-0  
Contact/Shield: Copper alloy  
Shield plating: Nickel  
Contact plating: Gold 6 micro-inches min. In contact area.
4. Wave solder tip temperature: 265°C Max, 5 Sec.
5. UL Certification: File Number E484635.

X:X ±0.30	APPD:	LINK-PP INT'L TECHNOLOGY CO., LIMITED
X:XX ±0.25	CHKD:	
X:XXX ±0.05	DR: TOM	TITLE: RJ45 Connector with 10G Base-T Integrated Magnetics For PoE+ Application
ANGLES ±1°	UNIT: mm	PART NO.: LPJKP9496A9NL
	SCALE: 2/1	SHEET: 2/2
	REV: A	DWG NO.: LP22012201