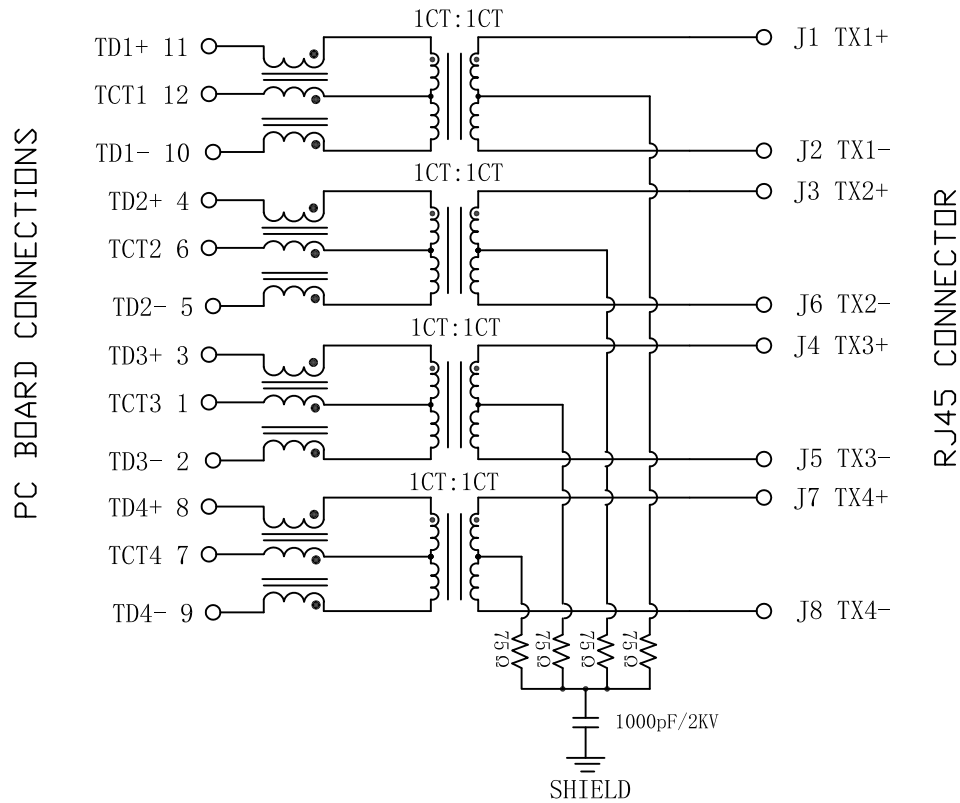


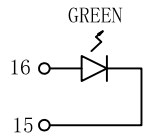
Schematic:

REV.	ECN NO.	DESCRIPTION	DATE	APPD
A	REL		2015-04-21	



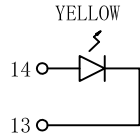
Electrical Specifications @25°C

- Turns Ratio ($\pm 2\%$):
1CT:1CT
- Insertion Loss:
0.1-10MHz: -1.0dB Max
100-650MHz: -3.0dB Max
- Return Loss (dB Min):
1-40MHz: -18 40-400MHz: -8
400-500MHz: -5
- Crosstalk (dB Min):
1-500MHz: -30
- CMDR (dB Min):
1-500MHz: -25
- Hi-Pot: 1500Vrms @60Hz
- OCL:
200uH Min @100KHz/0.1Vrms
- Operating Temperature: -40°C ~ +85°C.



LEFT LED

LED POLARITY		COLOR
PIN 16	PIN 15	
+	-	GREEN



RIGHT LED

LED POLARITY		COLOR
PIN 14	PIN 13	
+	-	YELLOW

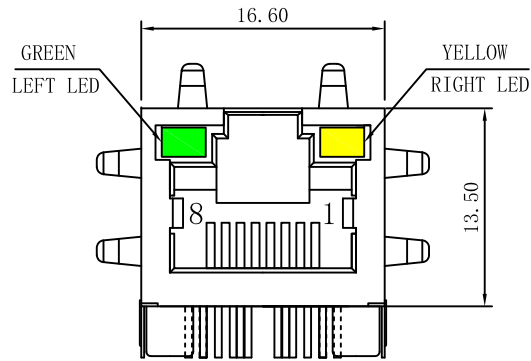


Emitting Color	λ p(nm)	VF@IF=20mA	IR @VR=5V
GREEN	565	1.8~2.6V	10 μ A max
YELLOW	585	1.8~2.6V	10 μ A max

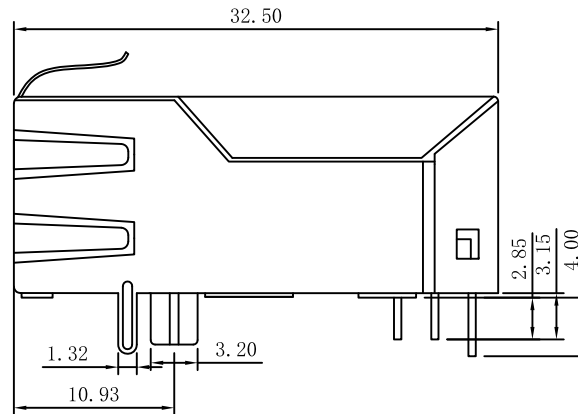
X:X	± 0.30	APPD:	LINK-PP INT'L TECHNOLOGY CO., LIMITED	
X:XX	± 0.25	CHKD:	TITLE: RJ45 Connector with 10G Base-T Integrated Magnetics	
X:XXX	± 0.05	DR: TOM	PART NO.: LPJK9436AHNL	
ANGLES	$\pm 1^\circ$	UNIT: mm		
	SCALE: 2/1	SHEET: 1/2	REV: A	DWG NO.: LP15042111

Mechanical :

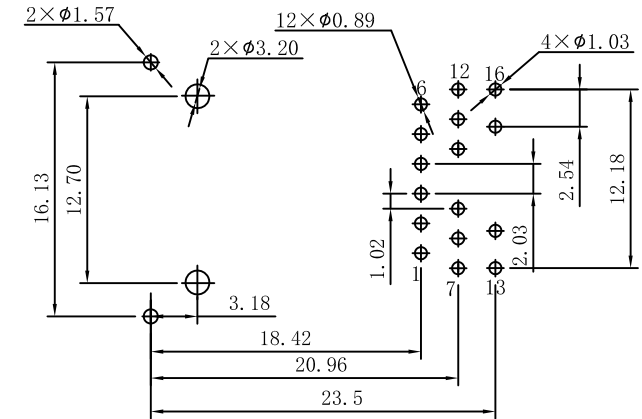
REV.	ECN NO.	DESCRIPTION	DATE	APPD
A	REL		2015-04-21	



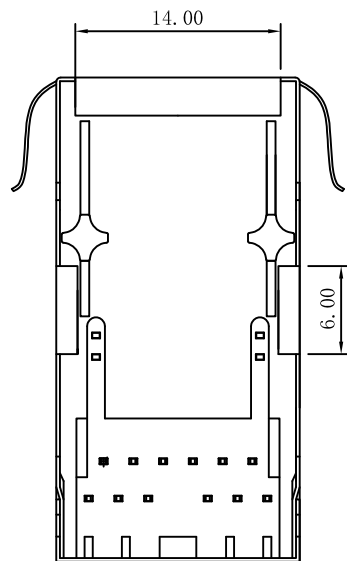
Front Side View



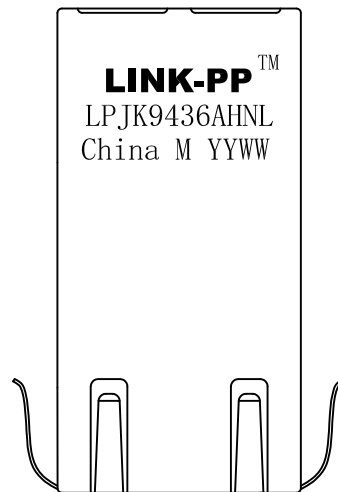
Left Side View



Suggested PCB Layout (Top View)



Bottom Side View



Top Side View

NOTES:

1. Designed to support application, such as SOHO (ADSL modems), LAN-on-Motherboard (LOM), hub and Switches.
2. Meets IEEE 802.3 specification
3. Connector Materials:
Housing: Thermoplastic UL94V-0
Contact/Shield: Copper alloy
Shield plating: Nickel
Contact plating: Gold 6 micro-inches Min. In contact area.
4. Wave peak temperature: 260°C Max, 5Sec Max.
5. UL Certification: File Number E484635.



X:X	±0.30	APPD:	LINK-PP INT'L TECHNOLOGY CO., LIMITED	
X:XX	±0.25	CHKD:	TITLE: RJ45 Connector with 10G Base-T Integrated Magnetics	
X:XXX	±0.05	DR: TOM	PART NO.: LPJK9436AHNL	
ANGLES	±1°	UNIT: mm	DWG NO.: LP15042111	
	SCALE: 2/1	SHEET: 2/2	REV: A	