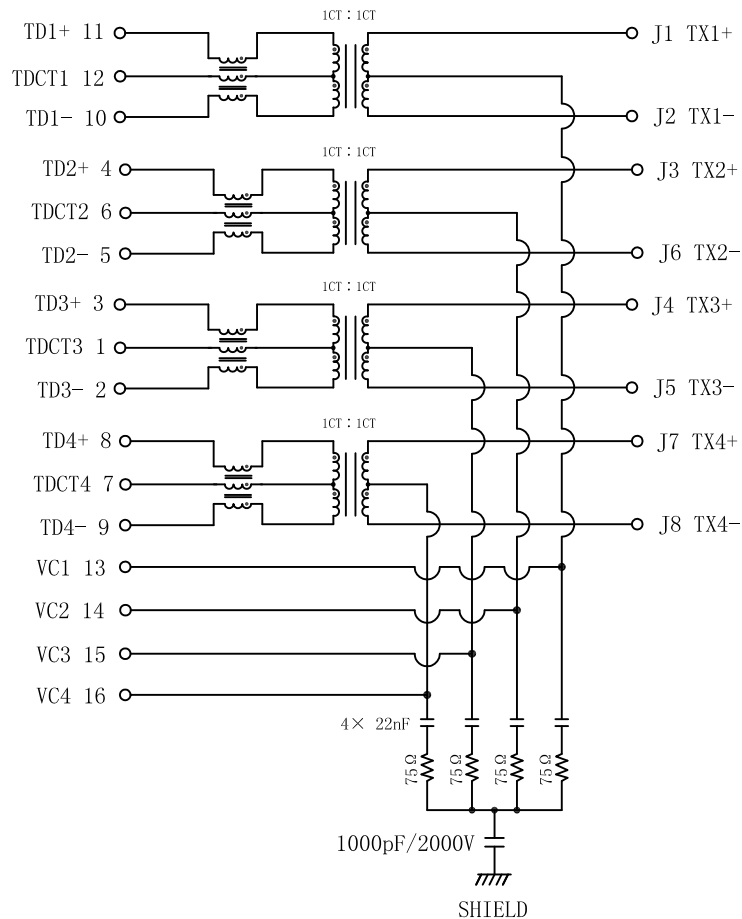


Schematic:

| REV. | ECN NO. | DESCRIPTION | DATE | APPD |
|------|---------|-------------|------------|------|
| A | REL | | 2021-07-02 | |

PC BOARD CONNECTIONS

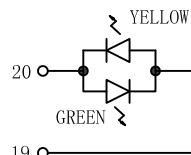


RJ45 CONNECTOR

ELECTRICAL SPECIFICATIONS @25°C

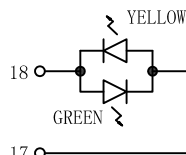
- Turn Ratio($\pm 2\%$):
Pri:Sec = 1CT:1CT
- Inductance OCL:
160uH MIN @100KHz 0.1V 8mADC Bias.
- Insertion Loss:
-0.5dB MAX @1-50MHz
-1.0dB MAX @50-125MHz
-2.0dB MAX @125-300MHz
- Return Loss:
-16dB MIN @1-40MHz
-16+10LOG₁₀(f/40MHz) dB MIN @40-250MHz
- Cross talk:
-30dB MIN @1-125MHz
-25dB MIN @125-200MHz
-25dB MIN @200-300MHz
- Common Mode Rejection Ratio:
-30dB MIN @30-200MHz
- Balance DC Line current:
720mA MAX @57VDC Continuous;
1.2A MAX @57VDC For 200 Milliseconds.
- Hipot Test: 1500Vrms
- Operating Temperature Range: 0°C to 70°C.

| Emitting Color | λ_p (nm) | V _F @I _F =20mA | I _R @V _R =5V |
|----------------|------------------|--------------------------------------|------------------------------------|
| GREEN | 565 | 1.8~2.6V | 10 μ A max |
| YELLOW | 585 | 1.8~2.6V | 10 μ A max |



LEFT LED

| LED POLARITY | | COLOR |
|--------------|--------|--------|
| PIN 20 | PIN 19 | |
| + | - | GREEN |
| - | + | YELLOW |



RIGHT LED

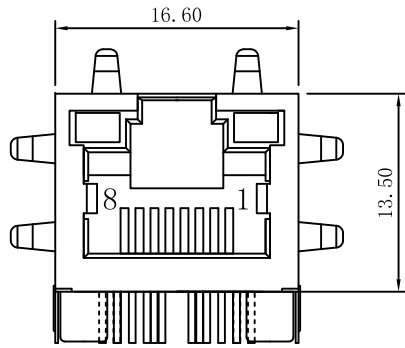
| LED POLARITY | | COLOR |
|--------------|--------|--------|
| PIN 18 | PIN 17 | |
| + | - | GREEN |
| - | + | YELLOW |



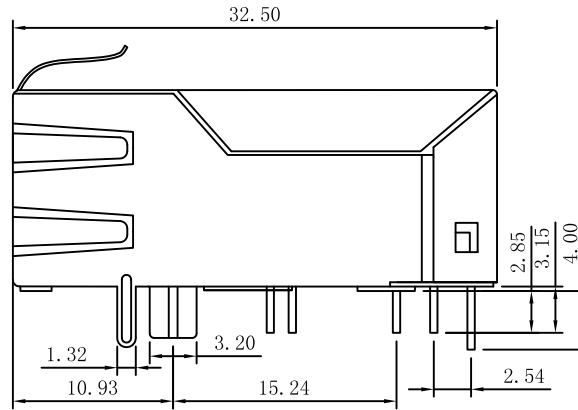
| | | | | |
|--------|---------------|------------|--|---------------------|
| X:X | ± 0.30 | APPD: | LINK-PP INT'L TECHNOLOGY CO., LIMITED | |
| X:XX | ± 0.25 | CHKD: | TITLE: RJ45 Connector with 5G Base-T Integrated Magnetics For PoE+ Application & 60W | |
| X:XXX | ± 0.05 | DR: SEA | | |
| ANGLES | $\pm 1^\circ$ | UNIT: mm | PART NO.: LPJK9083A47NL | |
| | SCALE: 2/1 | SHEET: 1/2 | REV: A | DWG NO.: LP21070202 |

Mechanical :

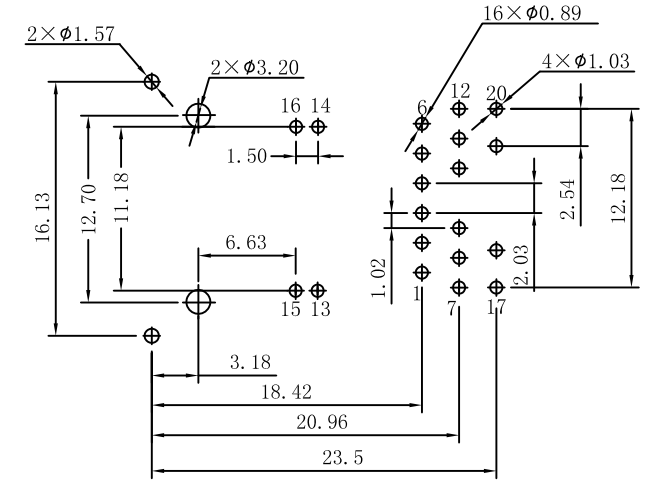
| REV. | ECN NO. | DESCRIPTION | DATE | APPD |
|------|---------|-------------|------------|------|
| A | REL | | 2021-07-02 | |



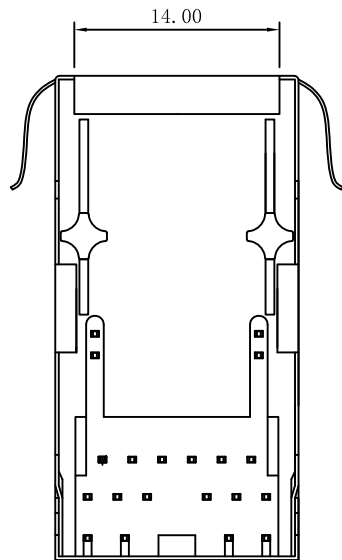
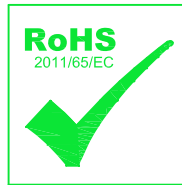
Front Side View



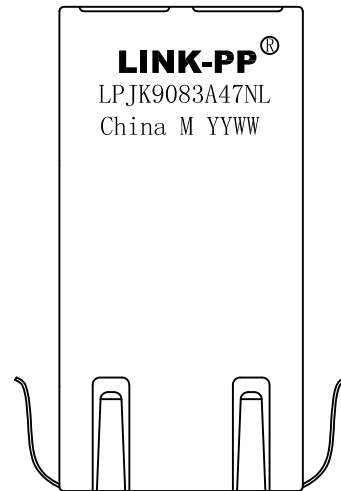
Left Side View



Suggested PCB Layout (Top View)



Bottom Side View



Top Side View

NOTES:

1. Designed to support application, such as SOHO (ADSL modems), LAN-on-Motherboard (LOM), hub and Switches.
2. Meets IEEE 802.3at specification
3. Connector Materials:
Housing: Thermoplastic UL94V-0
Contact/Shield: Copper alloy
Shield plating: Nickel
Contact plating: Gold 6 micro-inches min. In contact area.
4. Wave solder tip temperature: 265°C Max, 5 Sec.
5. UL Certification: File Number E484635.

| | | |
|-------------|------------|--|
| X:X ±0.30 | APPD: | LINK-PP INT'L TECHNOLOGY CO., LIMITED |
| X:XX ±0.25 | CHKD: | |
| X:XXX ±0.05 | DR: SEA | TITLE: RJ45 Connector with 5G Base-T Integrated Magnetics For PoE+ Application & 60W |
| ANGLES ±1° | UNIT: mm | PART NO.: LPJK9083A47NL |
| | SCALE: 2/1 | SHEET: 2/2 |
| | REV: A | DWG NO.: LP21070202 |