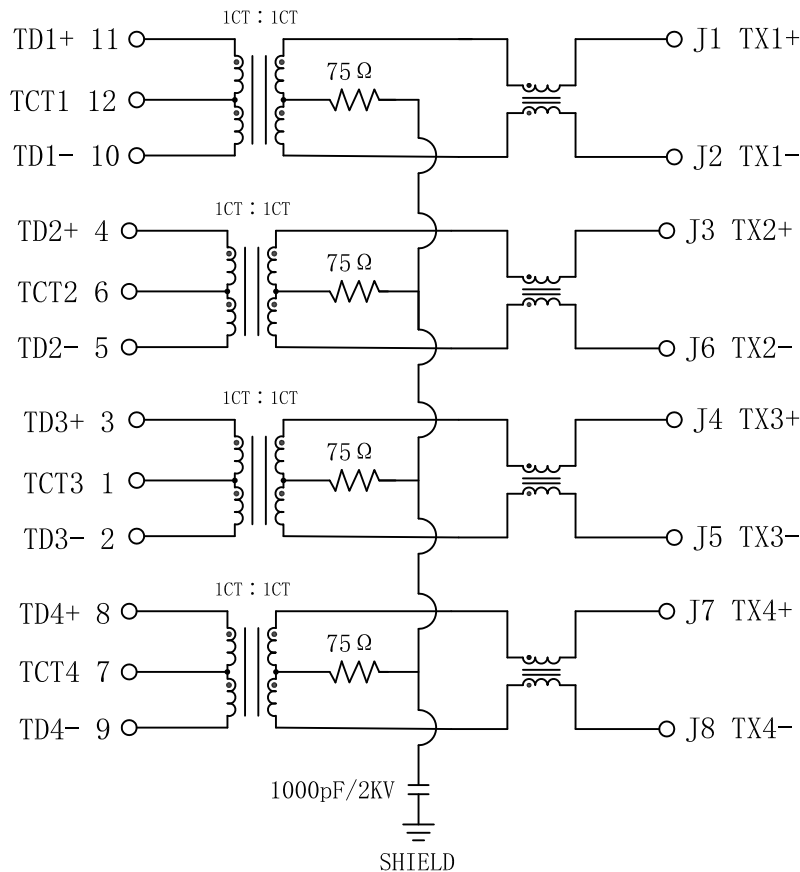


Schematic:

REV.	ECN NO.	DESCRIPTION	DATE	APPD
A	REL		2015/03/20	

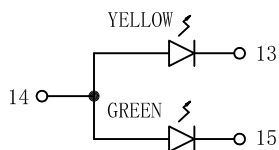
PC BOARD CONNECTIONS



RJ45 CONNECTOR

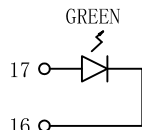
Electrical Specifications @25°C

- Turns Ratio ($\pm 2\%$):
Pri:Sec = 1CT:1CT
- OCL (@100KHz, 100mV, 8mA DC Bias):
350uH min
- Insertion Loss:
1~100MHz: -1.0dB max
- Return Loss (dB min):
1~10MHz: -20 ; 30MHz: -16
60~80MHz: -12 ; 80~100MHz: -10
- Crosstalk (dB min):
1~10MHz: -40 ; 32~65MHz: -35
65~100MHz: -30
- CMR (dB min):
1~125MHz: -30 ; 125~500MHz: -20
- Hi-Pot: 1500Vrms @60Hz
- Operating Temperature: 0°C ~ 70°C.



LEFT LED

LED POLARITY			COLOR
PIN 13	PIN 14	PIN 15	
-	+	/	YELLOW
/	+	-	GREEN



RIGHT LED

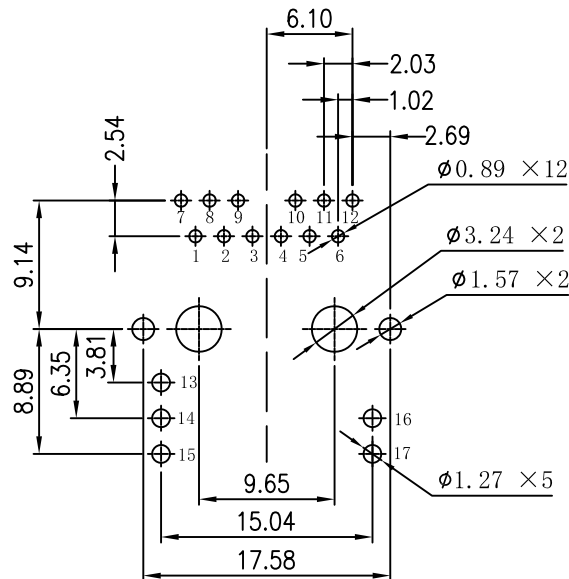
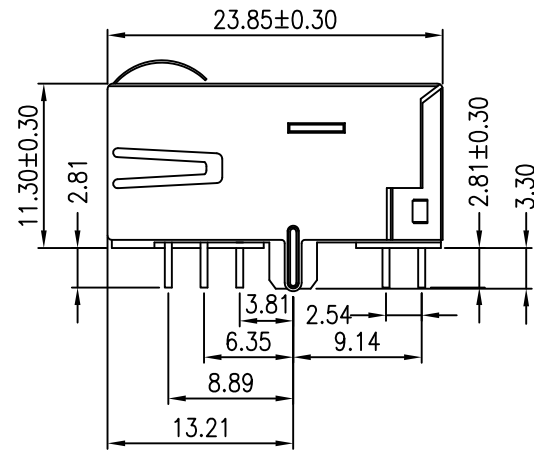
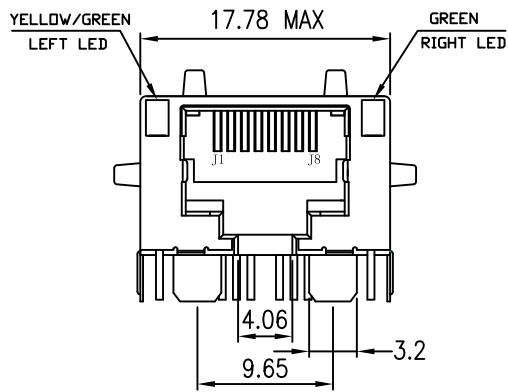
LED POLARITY			COLOR
PIN 16	PIN 17		
-	+		GREEN

Emitting Color	λ p(nm)	VF@IF=20mA	IR @VR=5V
YELLOW / GREEN	585 / 565	1.8~2.6V	10 μ A max
GREEN	565	1.8~2.6V	10 μ A max

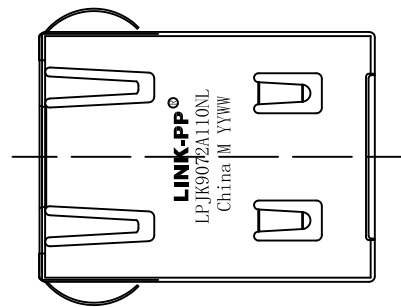
X:X	± 0.30	APPD:	LINK-PP INT'L TECHNOLOGY CO., LIMITED	
X:XX	± 0.25	CHKD:	TITLE: RJ45 Connector With 10G Base-T Integrated Magnetic	
X:XXX	± 0.05	DR: TOM	PART NO.: LPJK9072A110NL	
ANGLES	$\pm 1^\circ$	UNIT: mm		
	SCALE: 2/1	SHEET: 2/2	REV: A	DWG: LP15032062

Mechanical:

REV.	ECN NO.	DESCRIPTION	DATE	APPD
A	REL		2015/03/20	



SUGGESTED PCB LAYOUT(TOP VIEW)



NOTES:

1. Designed to support application, such as SOHO (ADSL modems), LAN-on-Motherboard (LOM), hub and Switches.
2. Meets IEEE 802.3 specification
3. Connector Materials:
Housing: Thermoplastic UL94V-0
Contact/Shield: Copper alloy
Shield plating: Nickel
Contact plating: Gold 6 micro-inches Min. In contact area.
4. Wave peak temperature: 260°C Max, 5Sec.
5. UL Certification: File Number E484635.



X:X	±0.30	APPD:	LINK-PP INT'L TECHNOLOGY CO., LIMITED
X:XX	±0.25	CHKD:	
X:XXX	±0.05	DR: TOM	TITLE: RJ45 Connector With 10G Base-T Integrated Magnetic
ANGLES	±1°	UNIT: mm	PART NO.: LPJK9072A110NL
	SCALE: 2/1	SHEET: 2/2	REV: A
			DWG: LP15032062