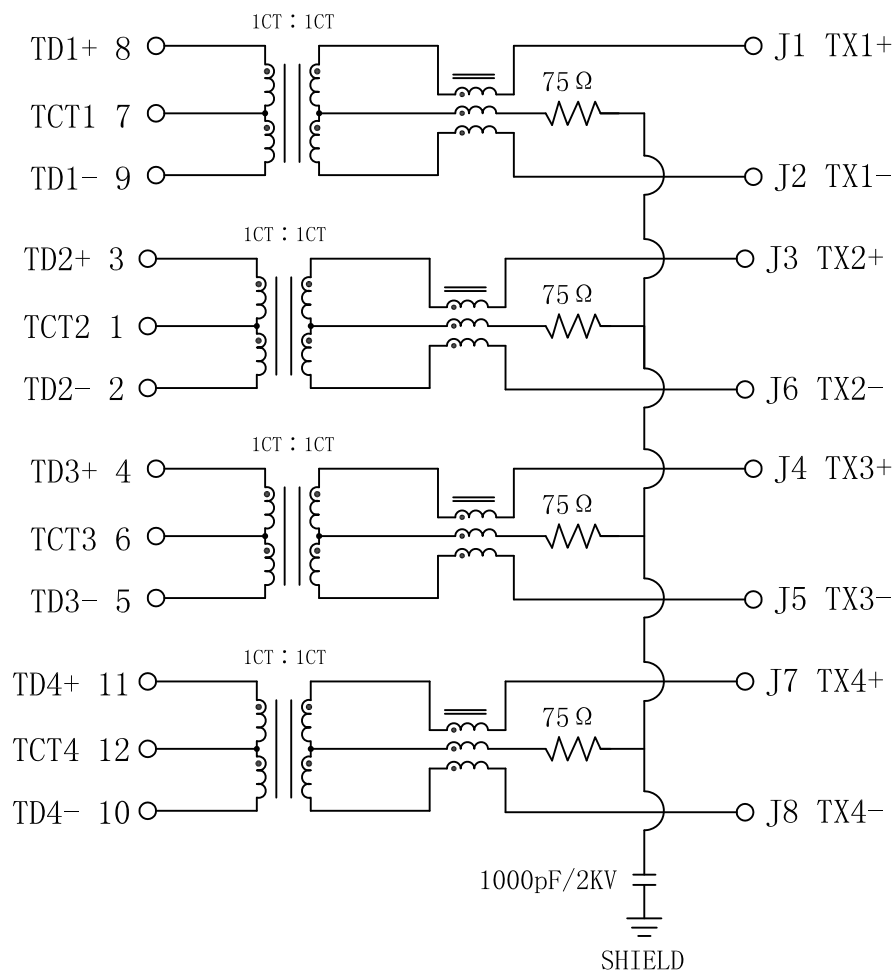


Schematic:

REV.	ECN NO.	DESCRIPTION	DATE	APPD
A	REL		2013/09/06	

PC BOARD CONNECTIONS



RJ45 CONNECTOR

Electrical Specifications @25°C

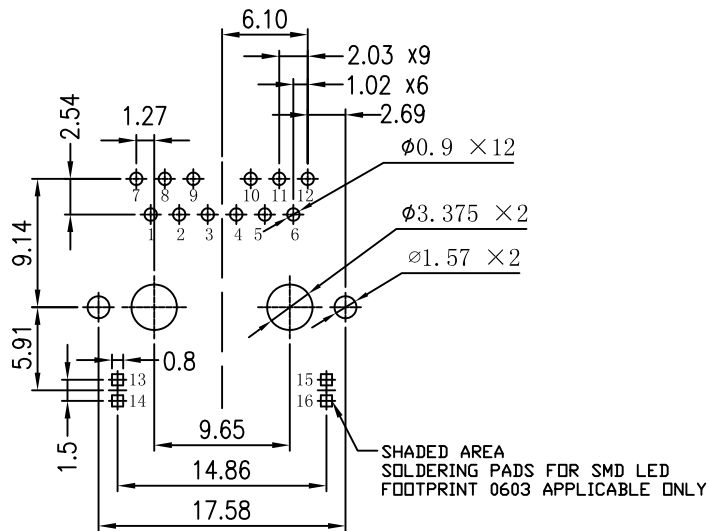
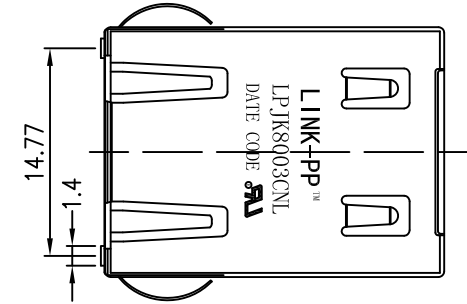
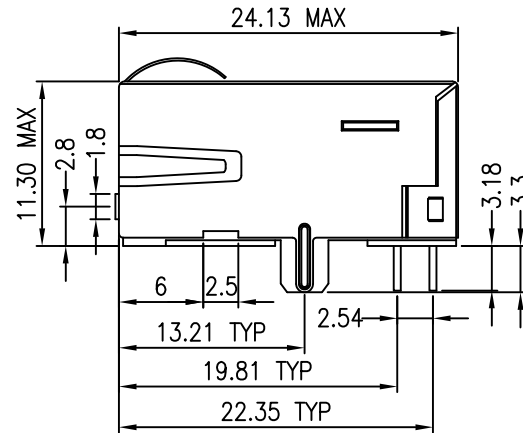
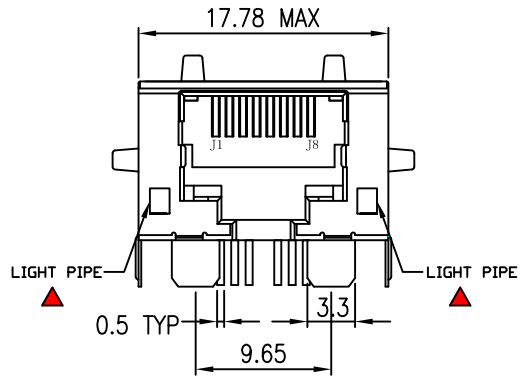
- Inductance (OCL): 350uH Min @100KHz, 0.1Vrms, 8mA DC Bias
- Turns Ratio: 1CT : 1CT
- Insertion Loss:
 - 0.5-100KHz: -1.1dB Max
- Return Loss (dB Min, @100Ω ±15%):
 - 1-40MHz: -18
 - 40.1-100MHz: -12-20*LOG(f/80)
- Crosstalk (dB Min):
 - 0.5-40MHz: -35
 - 40.1-100MHz: -33-20*LOG(f/50)
- Common Mode Rejection Ratio:
 - 0.5-100MHz: -30dB Min
- Hipot: 1500Vrms Min @60Hz
- Operating Temperature: 0°C ~ 70°C.



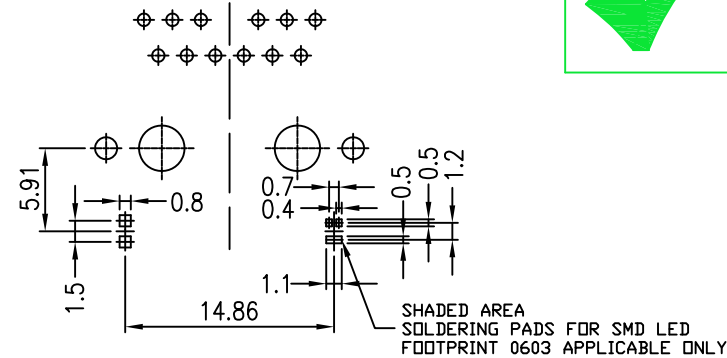
X:X	±0.30	APPD:	LINK-PP	
X:XX	±0.25	CHKD:	LINK-PP INT'L TECHNOLOGY CO., LIMITED	
X:XXX	±0.05	DR: TOM	TITLE: RJ45 Connector With 10/100/1000 Base-T Integrated Magnetic	
ANGLES	±1°	UNIT: mm	PART NO.: LPJK8003CNL	
	SCALE: 2/1	SHEET: 1/2	REV: A	DWG: LP13090603

Mechanical:

REV.	ECN NO.	DESCRIPTION	DATE	APPD
A	REL		2013/09/06	



SUGGESTED PCB LAYOUT FOR SINGLE COLOR LED (COMPONENT SIDE)



SUGGESTED PCB LAYOUT FOR BI-COLOR LED (COMPONENT SIDE)



NOTES:

1. Designed to support application, such as SOHO (ADSL modems), LAN-on-Motherboard (LOM), hub and Switches.
2. Meets IEEE 802.3 specification
3. Connector Materials:
Housing: Thermoplastic UL94V-0
Contact/Shield: Copper alloy
Shield plating: Nickel
Contact plating: Gold 6 micro-inches min. In contact area.
4. Wave peak temperature: 260°C, 5Sec.

▲ Light pipes are used to transmit light of smd led's mounted on customer board

X:X	±0.30	APPD:	LINK-PP LINK-PP INT'L TECHNOLOGY CO., LIMITED
X:XX	±0.25	CHKD:	
X:XXX	±0.05	DR: TOM	
ANGLES	±1°	UNIT: mm	TITLE: RJ45 Connector With 10/100/1000 Base-T Integrated Magnetic
			PART NO.: LPJK8003CNL
	SCALE: 2/1	SHEET: 2/2	REV: A
		DWG: LP13090603	