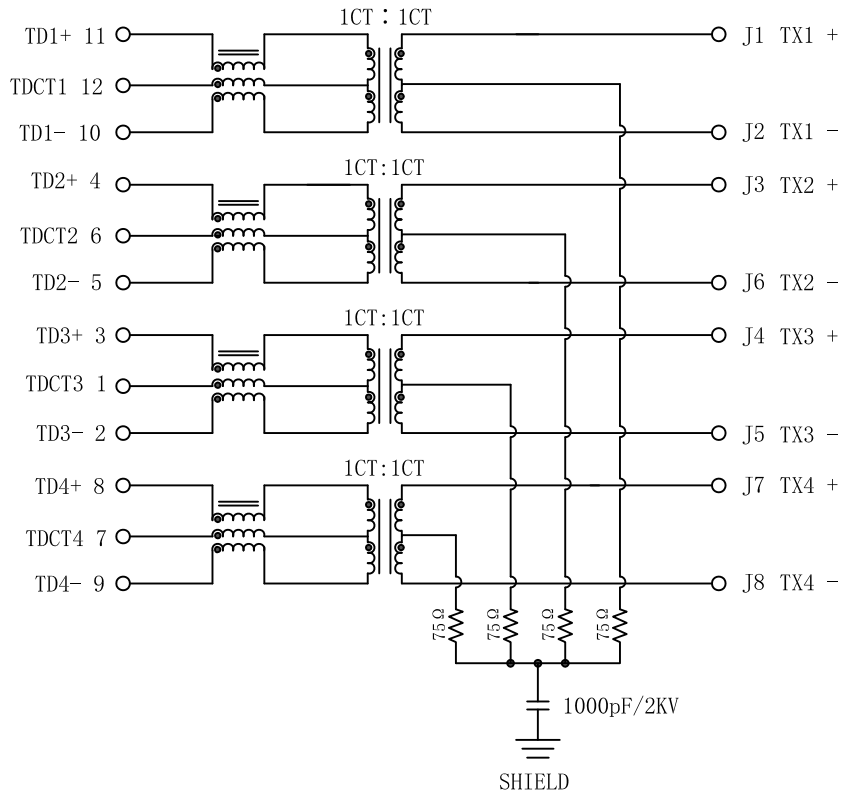


# Schematic:

REV.	ECN NO.	DESCRIPTION	DATE	APPD
A	REL		2013/06/22	

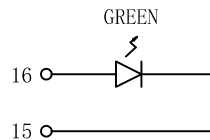
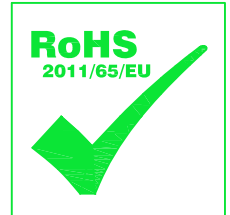
PCB CONNECTIONS



RJ45 CONNECTOR

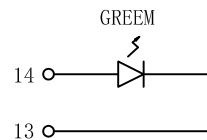
## Electrical Specification @25°C

- Turns Ratio ( $\pm 2\%$ ):  
Pri : Sec = 1CT : 1CT
- OCL: 350uH Min @100KHz/100mVrms  
8mA DC Bias
- Insertion Loss(dB Max):  
1~100MHz:-1.2
- Return Loss(dB Typ @100 OHMS  $\pm 15\%$ ):  
1~10MHz:-18                      30MHz:-18  
60~80MHz:-12                    80~100MHz:-10
- Crosstalk(dB Typ):  
1~10MHz:-40                      32~65MHz:-35  
65~100MHz:-30
- Common Mode Rejection:  
1~125MHz:-30dB Typ
- Hipot: 1500Vrms
- Operating Temperature: -40°C ~ +85°C.



LEFT LED

LED POLARITY		COLOR
PIN 15	PIN 16	
-	+	GREEN



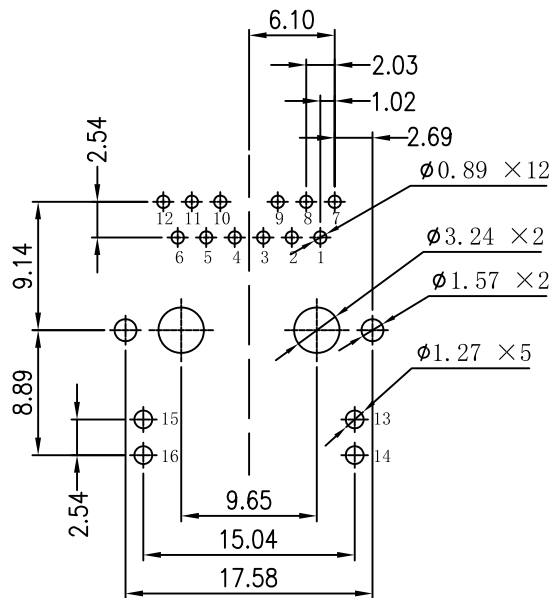
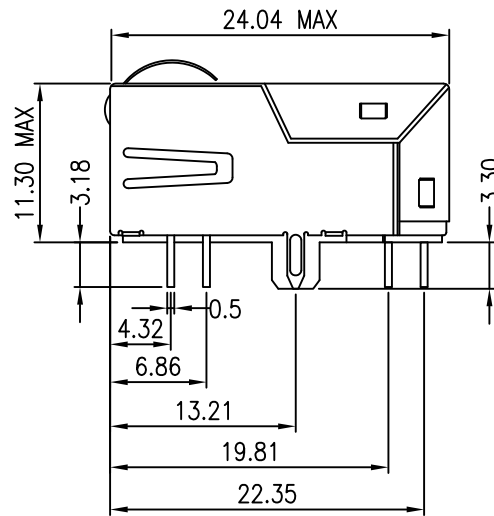
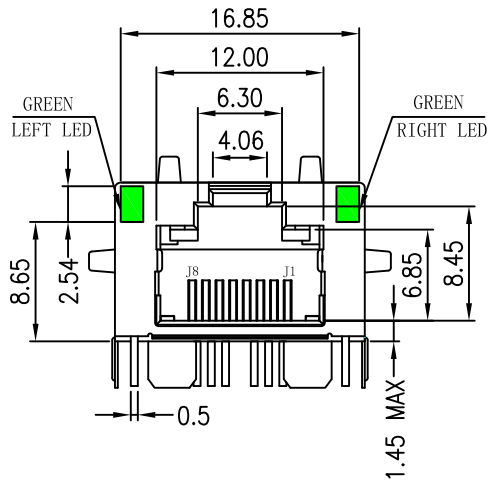
RIGHT LED

LED POLARITY		COLOR
PIN 13	PIN 14	
-	+	GREEN

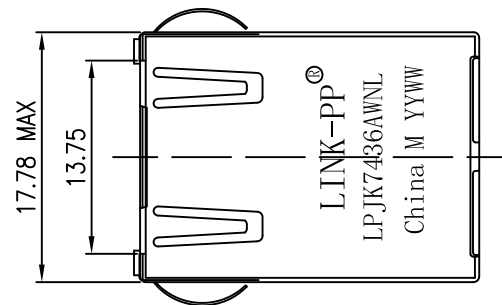
Emitting Color	$\lambda$ p(nm)	VF@IF=20mA	IR @VR=5V
GREEN	565	1.8~2.6V	10 $\mu$ A max

X:X	$\pm 0.30$	APPD:	LINK-PP INT'L TECHNOLOGY CO., LIMITED	
X:XX	$\pm 0.25$	CHKD:	TITLE: RJ45 Connector With 1000 Base-TX Integrated Magnetic	
X:XXX	$\pm 0.05$	DR: TOM	PART NO.: LPJK7436AWN	
ANGLES	$\pm 1^\circ$	UNIT: mm		
	SCALE: 2/1	SHEET: 1/2	REV: A	DWG: LP13062243

# Mechanical:



SUGGESTED PCB LAYOUT(TOP VIEW)



REV.	ECN NO.	DESCRIPTION	DATE	APPD
A	REL		2013/06/22	

## NOTES:

1. Designed to support application, such as SOHO (ADSL modems), LAN-on-Motherboard (LOM), hub and Switches.
2. Meets IEEE 802.3 specification
3. Connector Materials:  
Housing: Thermoplastic UL94V-0  
Contact/Shield: Copper alloy  
Shield plating: Nickel  
Contact plating: Gold 6 micro-inches min. In contact area.
4. Wave peak temperature: 260°C, 5Sec.
5. UL Certification: File Number E484635.



X:X	±0.30	APPD:	LINK-PP INT'L TECHNOLOGY CO., LIMITED	
X:XX	±0.25	CHKD:	TITLE: RJ45 Connector With 1000 Base-TX Integrated Magnetic	
X:XXX	±0.05	DR: TOM		
ANGLES	±1°	UNIT: mm	PART NO.: LPJK7436AWN	
	SCALE: 2/1	SHEET: 2/2	REV: A	DWG: LP13062243