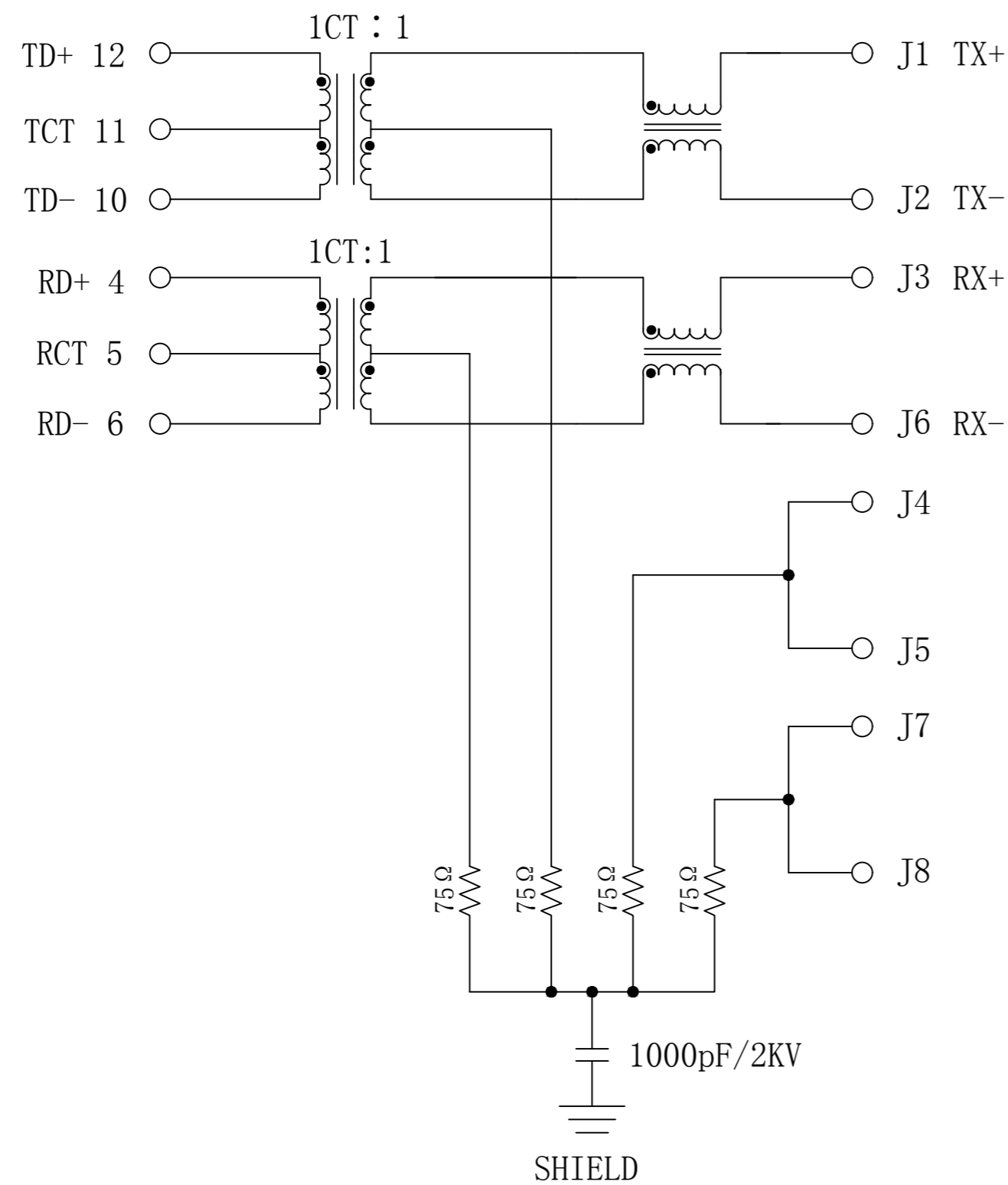


Schematic:

REV.	ECN NO.	DESCRIPTION	DATE	APPD
A6	REL		2012/06/12	

PCB CONNECTIONS



RJ45 CONNECTOR

Electrical Specification @25°C

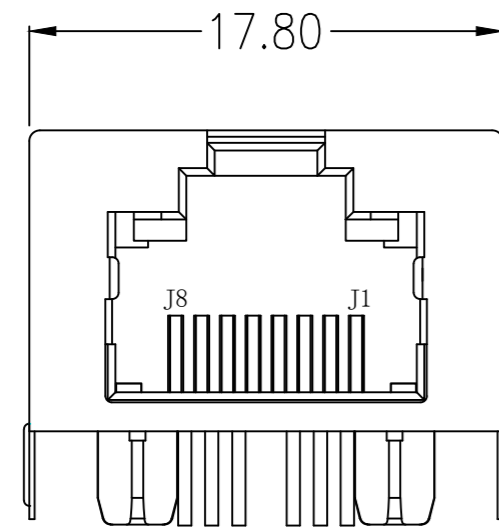
- Turns Ratio:
TX=1CT : 1 RX=1CT : 1
- OCL: 350uH Min @100KHz/100mVrms 8mA DC Bias
- Insertion Loss(dB Max):
0.1~1MHz:-1.1
1~65MHz:-0.5
65~100MHz:-0.8
100~125MHz:-1.2
- Return Loss(dB Min @100 OHMS ±15%):
0.5~40MHz:-18
50~100MHz:-[12+20LOG(f/80MHz)]
- CM to CM Rej:
0.1~100MHz:-30dB Min
- CM to DM Rej:
0.1~100MHz:-35dB Min
- Isolation PHY SIDE To Line SIDE : 1500Vrms
- Operating Temperature: -40°C ~+85°C.



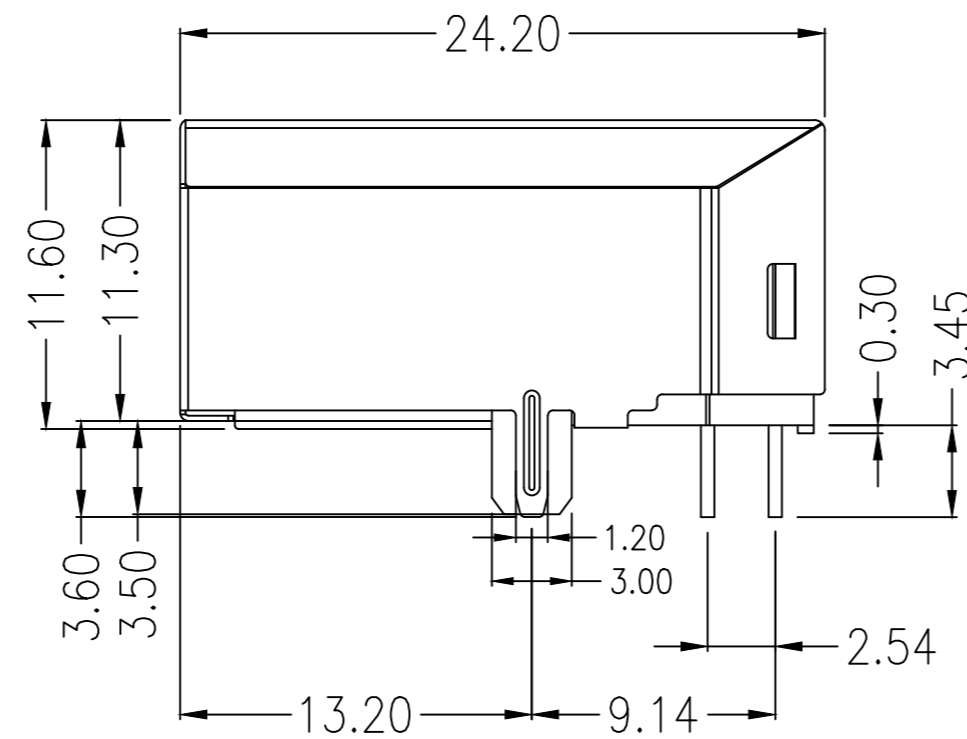
X:X	±0.25	APPD:	TOM	LINK-PP INT'L TECHNOLOGY CO., LIMITED
X:XX	±0.20	CHKD:	JAMES	
X:XXX	±0.05	DR:	LEO	
ANGLES	±1°	UNIT:	mm	PART NO.: LPJK7401DNL
	SCALE:	2/1	SHEET:	1/2
	REV:	A6	DWG:	LP12061215

Mechanical :

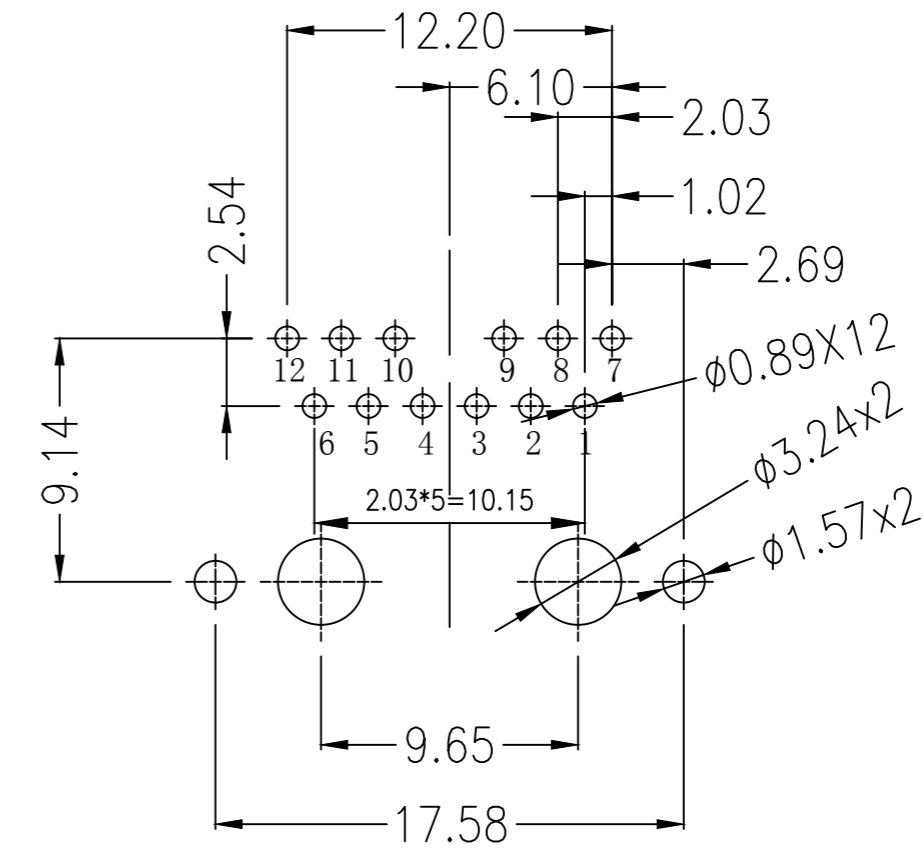
REV.	ECN NO.	DESCRIPTION	DATE	APPD
A6	REL		2012/03/15	



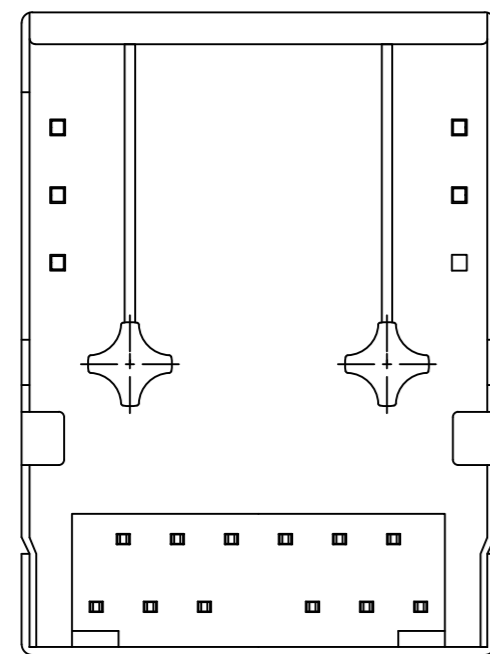
Front Side View



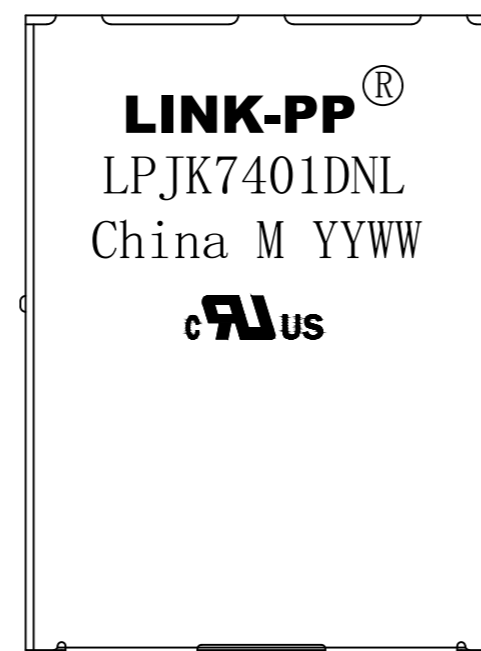
Left Side View



Suggested PCB Layout (Top View)



Bottom Side View



Top Side View

NOTES:

1. Designed to support application, such as SOHO (ADSL modems), LAN-on-Motherboard (LOM), hub and Switches.
2. Meets IEEE 802.3 specification
3. Connector Materials:
 Housing: Thermoplastic PBT UL94V-0
 Contact/Shield: Copper alloy
 Shield plating: Nickel
 Shield: SUS 304-1/2H Thickness=0.2mm
 Contact plating: Gold 6 micro-inches min. In contact area.
4. Wave solder tip temperature: 250°C, 5 Sec.
5. UL Certification: File Number E484635.



X:X	±0.25	APPD:	TOM	LINK-PP INT'L TECHNOLOGY CO., LIMITED
X:XX	±0.20	CHKD:	JAMES	
X:XXX	±0.05	DR:	LEO	
ANGLES	±1°	UNIT:	mm	TITLE: RJ45 Connector With 100 Base-T Integrated Magnetic
				PART NO. : LPJK7401DNL
SCALE: 2/1		SHEET: 2/2		REV: A6
				DWG: LP12061215