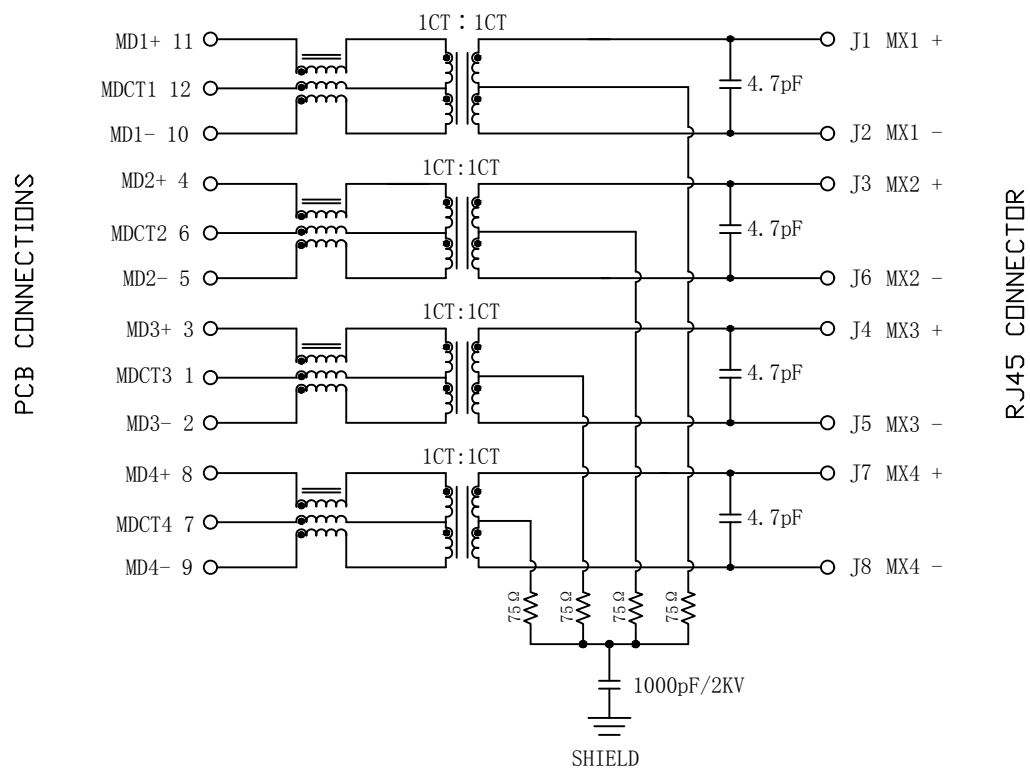
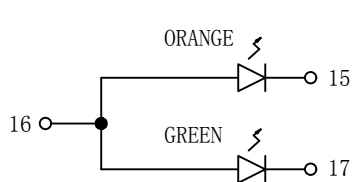


Schematic:

REV.	ECN NO.	DESCRIPTION	DATE	APPD
A	REL		2013/06/22	

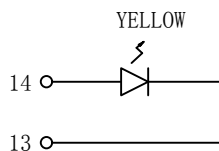


- Electrical Specification @25°C
- Turns Ratio ($\pm 2\%$) : 1CT : 1CT
 - OCL: 350uH Min @100KHz/100mVrms
8mA DC Bias (0°C~70°C)
 - Insertion Loss(dB Max):
0.1~1MHz:-1.1 1~65MHz:-0.5
65~100MHz:-10.8 100~125MHz:-1.2
 - Return Loss(dB Min @100Ω±15%):
0.5~40MHz:-18
40~100MHz:-12+20LOG(f/80MHz)
 - CM to CM Rej(dB Min):
0.1~100MHz:-30dB Min
 - CM to DM Rej:
1~125MHz:-35dB Min
 - Hipot: 1500Vrms
 - Operating Temperature: 0°C~+70°C.



LEFT LED

LED POLARITY			COLOR
PIN 15	PIN 16	PIN 17	
-	+	/	ORANGE
/	+	-	GREEN



RIGHT LED

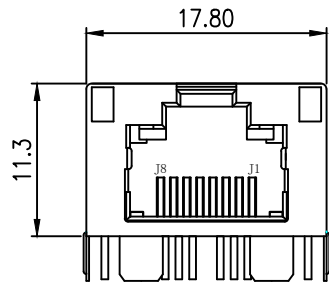
LED POLARITY		COLOR
PIN 13	PIN 14	
-	+	YELLOW

Emitting Color	λ_p (nm)	V _F @I _F =20mA	I _R @V _R =5V
ORANGE	610	1.8~2.6V	10 μA max
GREEN	565	1.8~2.6V	10 μA max

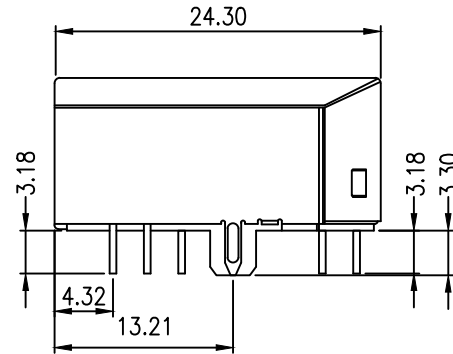
X:X	±0.30	APPD: TOM	LINK-PP INT'L TECHNOLOGY CO., LIMITED	
X:XX	±0.25	CHKD: JAMES	TITLE: RJ45 Connector With 1000 Base-TX Integrated Magnetic	
X:XXX	±0.05	DR: LEO	PART NO.: LPJK7039B98NL	
ANGLES	±1°	UNIT: mm		
	SCALE: 2/1	SHEET: 1/2	REV: A	DWG: LP13062212

Mechanical :

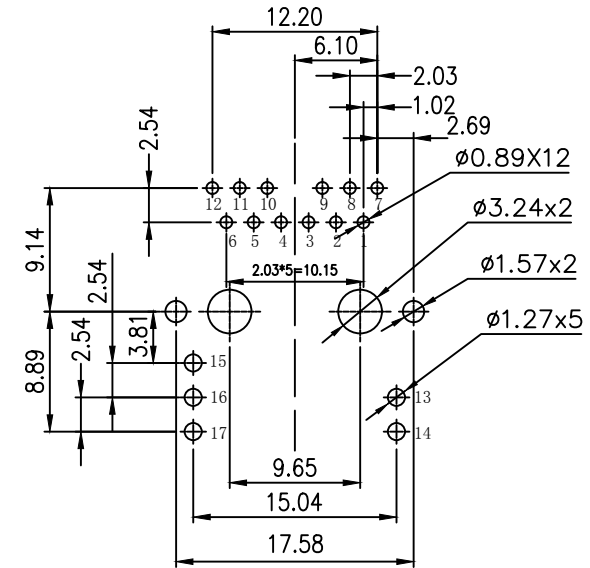
REV.	ECN NO.	DESCRIPTION	DATE	APPD
A	REL		2013/06/22	



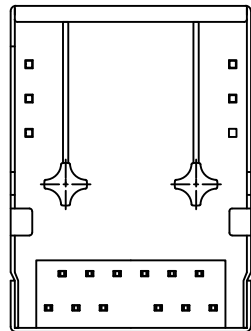
Front Side View



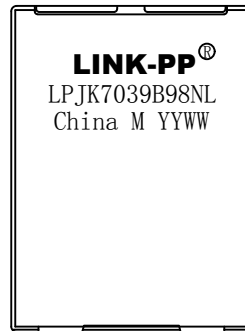
Left Side View



Suggested PCB Layout (Top View)



Bottom Side View



Top Side View

NOTES:

1. Designed to support application, such as SOHO (ADSL modems), LAN-on-Motherboard (LOM), hub and Switches.
2. Meets IEEE 802.3af specification
3. Connector Materials:
Housing: Thermoplastic UL94V-0
Contact/Shield: Copper alloy
Shield plating: Nickel
Shield: SUS 304-1/2H Thickness=0.2mm
Contact plating: Gold 6 micro-inches min. In contact area.
4. Wave solder tip temperature: 260°C, 5 Sec.
5. UL Certification: File Number E484635.

X:X	±0.30	APPD:	TOM	LINK-PP INT'L TECHNOLOGY CO., LIMITED
X:XX	±0.25	CHKD:	JAMES	
X:XXX	±0.05	DR:	LEO	TITLE: RJ45 Connector With 1000 Base-TX Integrated Magnetic
ANGLES	±1°	UNIT:	mm	PART NO.: LPJK7039B98NL
	SCALE:	2/1	SHEET:	2/2
		REV:	A	DWG: LP13062212

