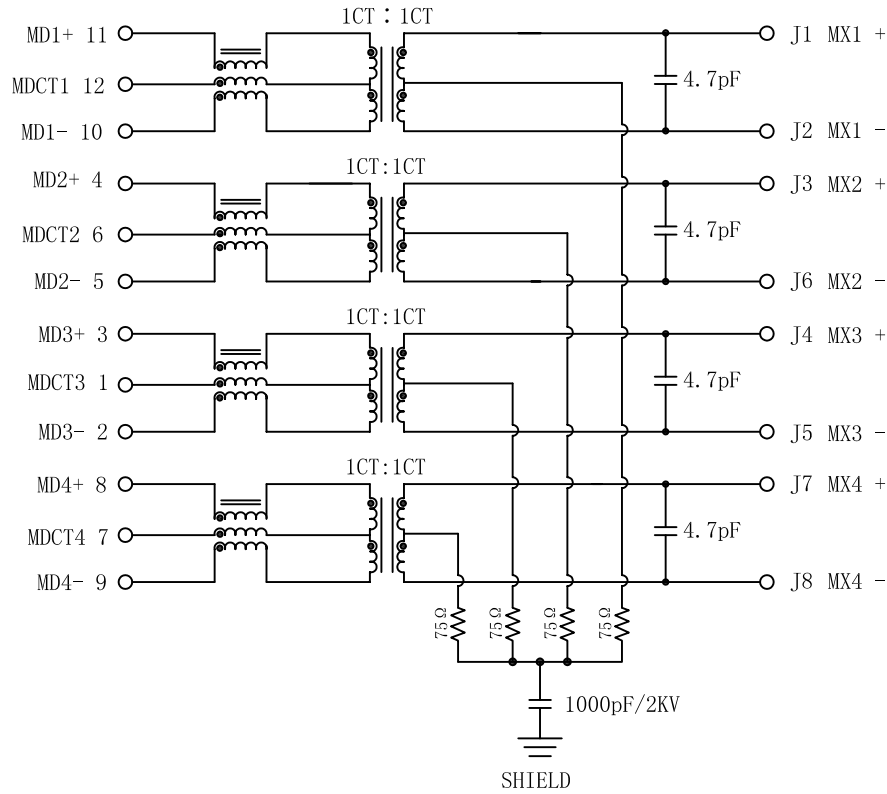


Schematic:

REV.	ECN NO.	DESCRIPTION	DATE	APPD
A	REL		2013/06/22	

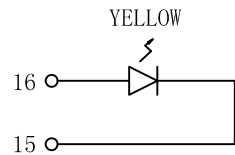
PCB CONNECTIONS



RJ45 CONNECTOR

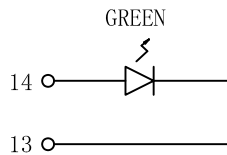
Electrical Specification @25°C

- Turns Ratio ($\pm 2\%$): 1CT:1CT
- OCL: 350uH Min @100KHz/100mVrms
8mA DC Bias (0°C-70°C)
- Insertion Loss (dB Max):
0.1~1MHz: -1.1 1~65MHz: -0.5
65~100MHz: -10.8 100~125MHz: -1.2
- Return Loss (dB Min @100Ω $\pm 15\%$):
0.5~40MHz: -18
40~100MHz: -12+20LOG(f/80MHz)
- CM to CM Rej (dB Min):
0.1~100MHz: -30dB Min
- CM to DM Rej:
1~125MHz: -35dB Min
- Hipot: 1500Vrms
- Operating Temperature: 0°C ~ +70°C.



LEFT LED

LED POLARITY		COLOR
PIN 15	PIN 16	
-	+	YELLOW



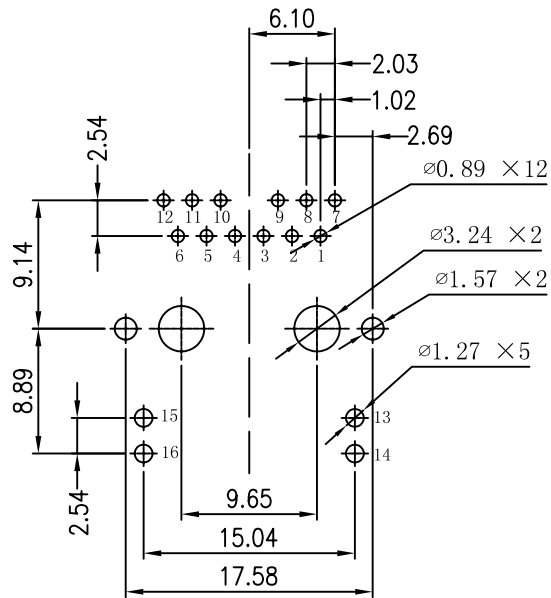
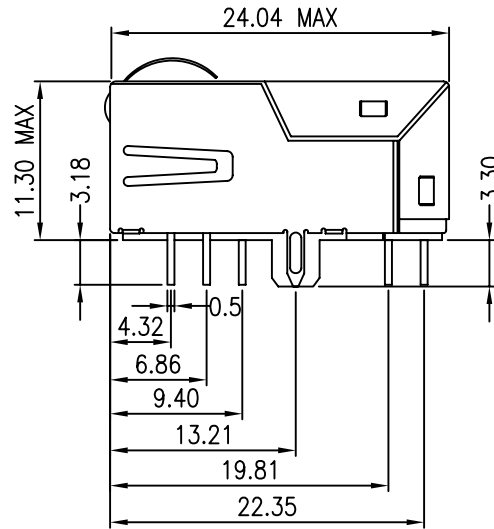
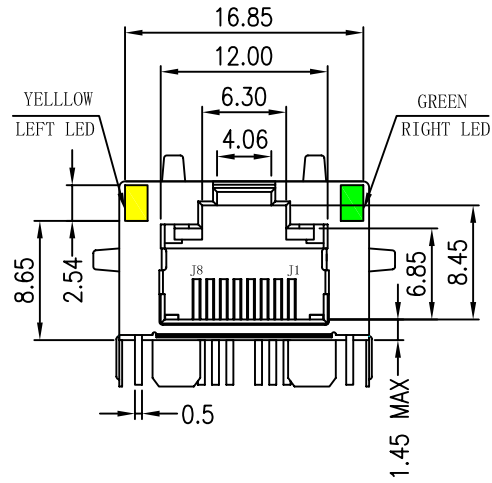
RIGHT LED

LED POLARITY		COLOR
PIN 13	PIN 14	
-	+	GREEN

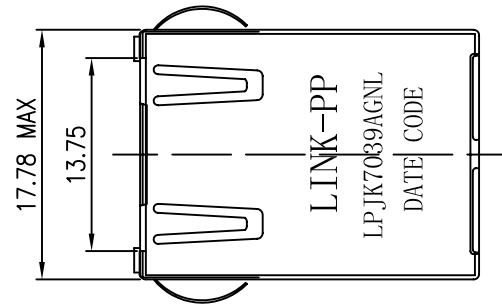


X:X	± 0.20	APPD:	LINK-PP INT'L TECHNOLOGY CO., LIMITED	
X:XX	± 0.10	CHKD:		
X:XXX	± 0.05	DR: TOM	TITLE: RJ45 Connector With 1000 Base-TX Integrated Magnetic	
ANGLES	$\pm 1^\circ$	UNIT: mm	PART NO.: LPJK7039AGNL	
	SCALE: 2/1	SHEET: 1/2	REV: A	DWG: LP13062203

Mechanical:



SUGGESTED PCB LAYOUT(TOP VIEW)



REV.	ECN NO.	DESCRIPTION	DATE	APPD
A	REL		2013/06/22	

NOTES:

1. Designed to support application, such as SOHO (ADSL modems), LAN-on-Motherboard (LOM), hub and Switches.
2. Meets IEEE 802.3 specification
3. Connector Materials:
 Housing: Thermoplastic UL94V-0
 Contact/Shield: Copper alloy
 Shield plating: Nickel
 Contact plating: Gold 6 micro-inches min. In contact area.
4. Wave peak temperature: 260°C, 5Sec.



X:X	±0.20	APPD:	LINK-PP INT'L TECHNOLOGY CO., LIMITED	
X:XX	±0.10	CHKD:	TITLE: RJ45 Connector With 1000 Base-TX Integrated Magnetic	
X:XXX	±0.05	DR: TOM	PART NO.: LPJK7039AGNL	
ANGLES	±1°	UNIT: mm		
	SCALE: 2/1	SHEET: 2/2	REV: A	DWG: LP13062203