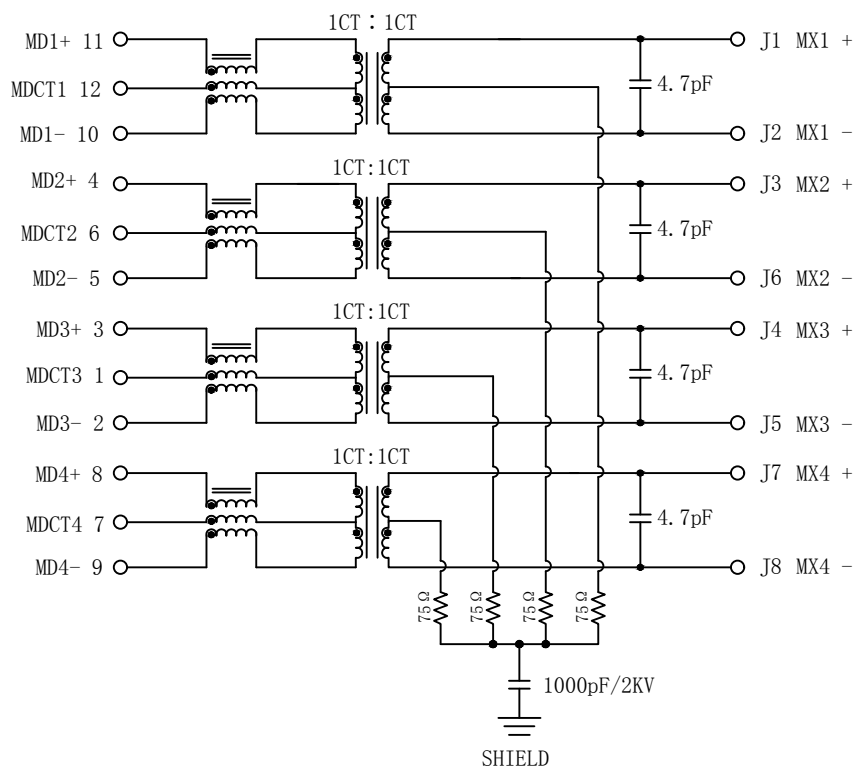


Schematic:

REV.	ECN NO.	DESCRIPTION	DATE	APPD
A	REL		2013/06/22	

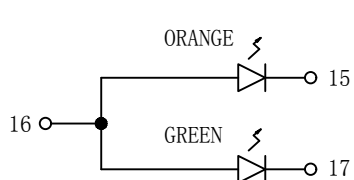
PCB CONNECTIONS



RJ45 CONNECTOR

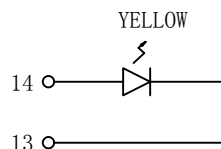
Electrical Specification @25°C

- Turns Ratio ($\pm 2\%$): 1CT:1CT
- OCL: 350uH Min @100KHz/100mVrms
8mA DC Bias (0°C-70°C)
- Insertion Loss (dB Max):
0.1~1MHz:-1.1 1~65MHz:-0.5
65~100MHz:-10.8 100~125MHz:-1.2
- Return Loss (dB Min @100Ω±15%):
0.5~40MHz:-18
40~100MHz:-12+20LOG(f/80MHz)
- CM to CM Rej (dB Min):
0.1~100MHz:-30dB Min
- CM to DM Rej:
1~125MHz:-35dB Min
- Hipot: 1500Vrms
- Operating Temperature: 0°C~+70°C.



LEFT LED

LED POLARITY			COLOR
PIN 15	PIN 16	PIN 17	
-	+	/	ORANGE
/	+	-	GREEN



RIGHT LED

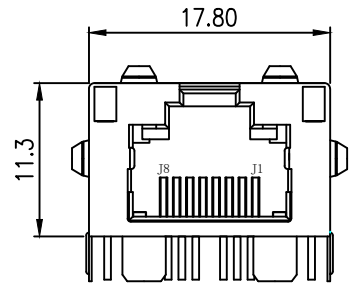
LED POLARITY		COLOR
PIN 13	PIN 14	
-	+	YELLOW

Emitting Color	λ_p (nm)	V _F @I _F =20mA	I _R @V _R =5V
ORANGE	610	1.8~2.6V	10 μA max
GREEN	565	1.8~2.6V	10 μA max

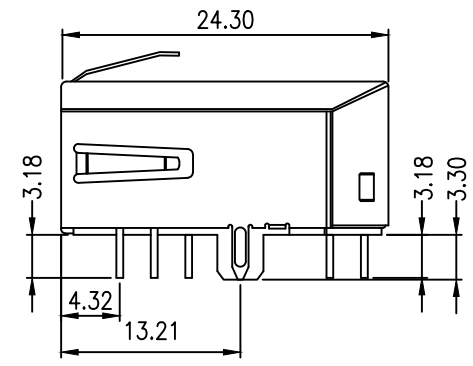
X:X	±0.30	APPD: TOM	LINK-PP INT'L TECHNOLOGY CO., LIMITED	
X:XX	±0.25	CHKD: JAMES	TITLE: RJ45 Connector With 1000 Base-TX Integrated Magnetic	
X:XXX	±0.05	DR: LEO	PART NO.: LPJK7039A98NL	
ANGLES	±1°	UNIT: mm	DWG: LP13062212	
	SCALE: 2/1	SHEET: 1/2	REV: A	DWG: LP13062212

Mechanical :

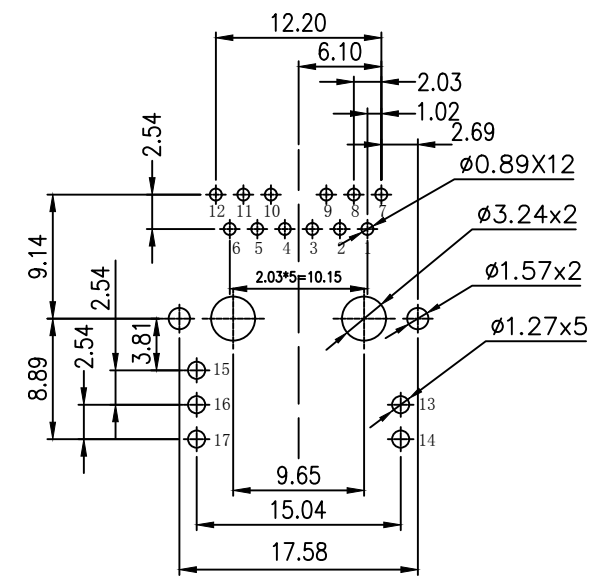
REV.	ECN NO.	DESCRIPTION	DATE	APPD
A	REL		2013/06/22	



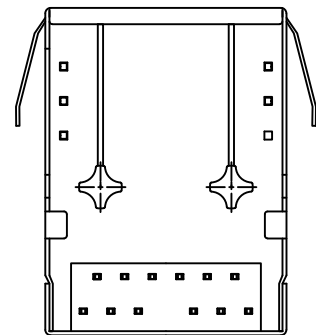
Front Side View



Left Side View



Suggested PCB Layout (Top View)



Bottom Side View



Top Side View

NOTES:

1. Designed to support application, such as SOHO (ADSL modems), LAN-on-Motherboard (LOM), hub and Switches.
2. Meets IEEE 802.3af specification
3. Connector Materials:
 Housing: Thermoplastic UL94V-0
 Contact/Shield: Copper alloy
 Shield plating: Nickel
 Shield: SUS 304-1/2H Thickness=0.2mm
 Contact plating: Gold 6 micro-inches min. In contact area.
4. Wave solder tip temperature: 260°C, 5 Sec.
5. UL Certification: File Number E484635.



X:X	±0.30	APPD:	TOM	LINK-PP INT'L TECHNOLOGY CO., LIMITED
X:XX	±0.25	CHKD:	JAMES	
X:XXX	±0.05	DR:	LEO	
ANGLES	±1°	UNIT:	mm	TITLE: RJ45 Connector With 1000 Base-TX Integrated Magnetic
				PART NO.: LPJK7039A98NL
	SCALE: 2/1	SHEET: 2/2	REV: A	DWG: LP13062212