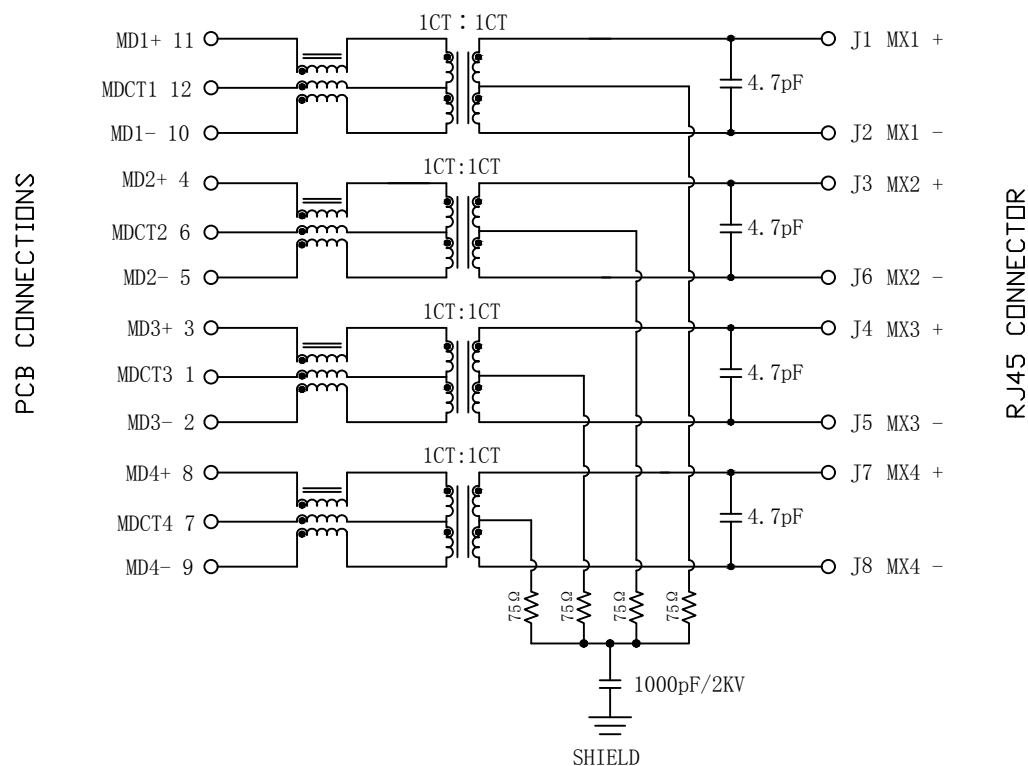


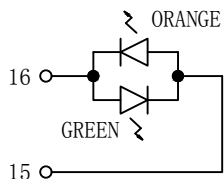
# Schematic:

REV.	ECN NO.	DESCRIPTION	DATE	APPD
A	REL		2013/06/22	



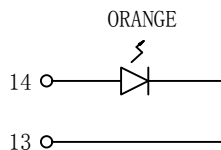
## Electrical Specification @25°C

- Turns Ratio ( $\pm 2\%$ ): 1CT:1CT
- OCL: 350uH Min @100KHz/100mVrms  
8mA DC Bias (0°C-70°C)
- Insertion Loss(dB Max):  
0.1~1MHz:-1.1      1~65MHz:-0.5  
65~100MHz:-10.8      100~125MHz:-1.2
- Return Loss(dB Min @100Ω±15%):  
0.5~40MHz:-18  
40~100MHz:-12+20LOG(f/80MHz)
- CM to CM Rej(dB Min):  
0.1~100MHz:-30dB Min
- CM to DM Rej:  
1~125MHz:-35dB Min
- Hipot: 1500Vrms
- Operating Temperature: 0°C~+70°C.



LEFT LED

LED POLARITY		COLOR
PIN 15	PIN 16	
+	-	ORANGE
-	+	GREEN



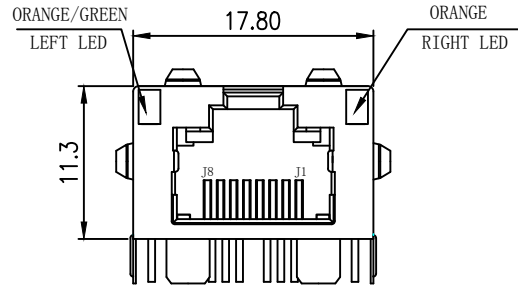
RIGHT LED

LED POLARITY		COLOR
PIN 13	PIN 14	
-	+	ORANGE

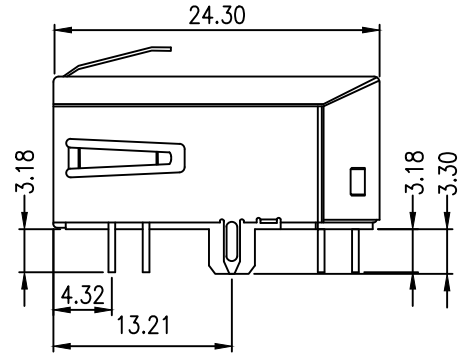
X:X	±0.20	APPD: TOM	LINK-PP INT'L TECHNOLOGY CO., LIMITED	
X:XX	±0.10	CHKD: JAMES		
X:XXX	±0.05	DR: LEO	TITLE: RJ45 Connector With 1000 Base-TX Integrated Magnetic	
ANGLES	±1°	UNIT: mm	PART NO.: LPJK7039A210NL	
	SCALE: 2/1	SHEET: 1/2	REV: A	DWG: LP13062213

# Mechanical :

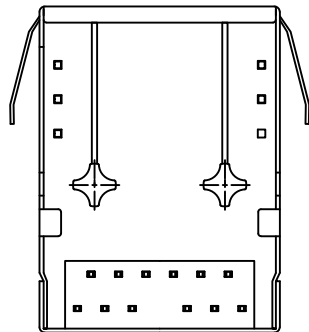
REV.	ECN NO.	DESCRIPTION	DATE	APPD
A	REL		2013/06/22	



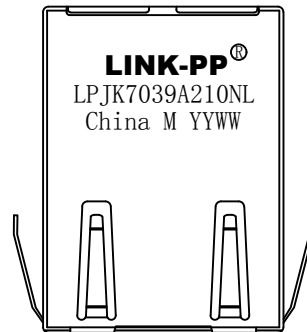
Front Side View



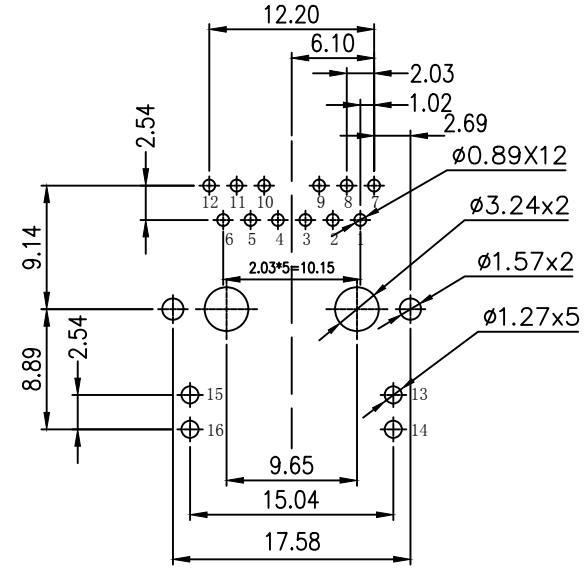
Left Side View



Bottom Side View



Top Side View



Suggested PCB Layout (Top View)

## NOTES:

1. Designed to support application, such as SOHO (ADSL modems), LAN-on-Motherboard (LOM), hub and Switches.
2. Meets IEEE 802.3af specification
3. Connector Materials:  
Housing: Thermoplastic UL94V-0  
Contact/Shield: Copper alloy  
Shield plating: Nickel  
Shield: SUS 304-1/2H Thickness=0.2mm  
Contact plating: Gold 6 micro-inches min. In contact area.
4. Wave solder tip temperature: 260°C, 5 Sec.
5. UL Certification: File Number E484635.

X:X	±0.20	APPD:	TOM	LINK-PP INT'L TECHNOLOGY CO., LIMITED
X:XX	±0.10	CHKD:	JAMES	
X:XXX	±0.05	DR:	LEO	TITLE: RJ45 Connector With 1000 Base-TX Integrated Magnetic
ANGLES	±1°	UNIT:	mm	PART NO.: LPJK7039A210NL
	SCALE:	2/1	SHEET:	2/2
	REV:	A	DWG:	LP13062213

