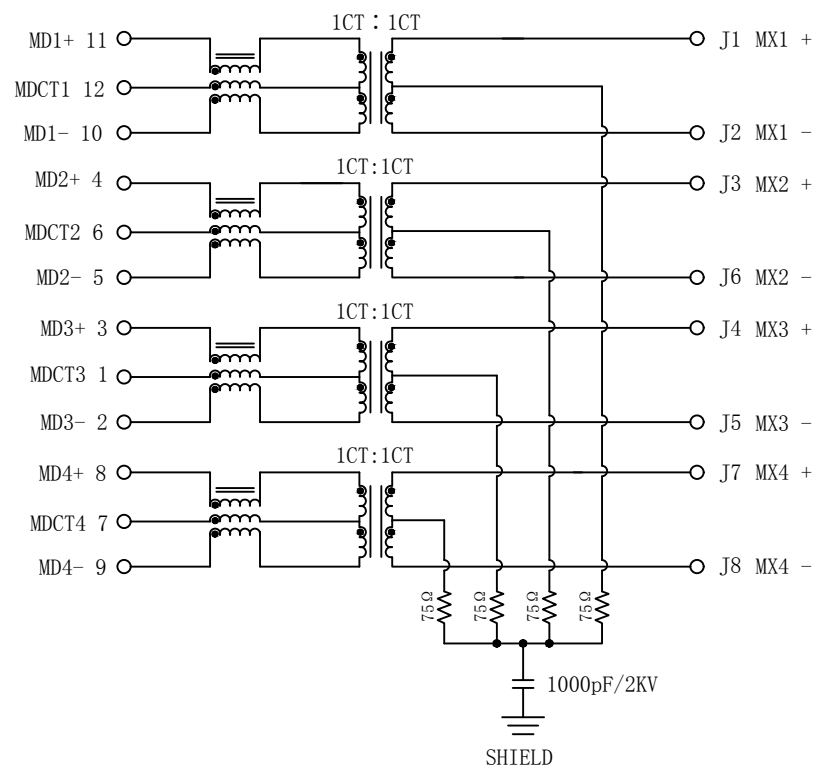


# Schematic:

REV.	ECN NO.	DESCRIPTION	DATE	APPD
A	REL		2013/06/22	

PCB CONNECTIONS



RJ45 CONNECTOR

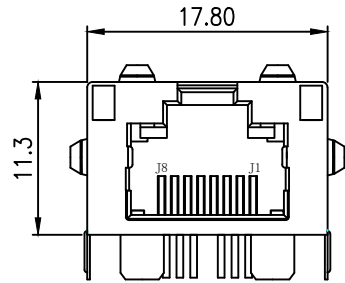
## Electrical Specification @25°C

- Turns Ratio ( $\pm 2\%$ ) : 1CT : 1CT
- OCL: 350uH Min @100KHz/100mVrms  
8mA DC Bias (0°C-70°C)
- Insertion Loss (dB Max):  
1~100MHz: -1.2
- Return Loss (dB Typ @100 OHMS  $\pm 15\%$ ):  
1~10MHz: -18      30MHz: -18  
60~80MHz: -12      80~100MHz: -10
- Crosstalk (dB Typ):  
1~10MHz: -40      32~65MHz: -35  
65~100MHz: -30
- Common Mode Rejection:  
1~125MHz: -30dB Typ
- Hipot: 1500Vrms
- Operating Temperature: 0°C ~ +70°C.

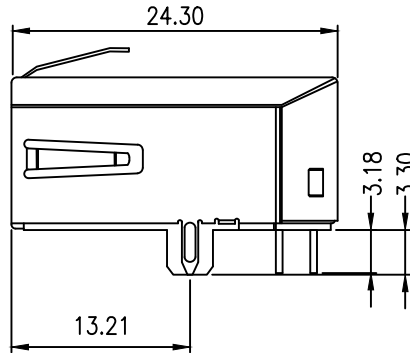
X:X	$\pm 0.30$	APPD: TOM	LINK-PP INT'L TECHNOLOGY CO., LIMITED	
X:XX	$\pm 0.25$	CHKD: JAMES	TITLE: RJ45 Connector With 1000 Base-TX Integrated Magnetic	
X:XXX	$\pm 0.05$	DR: LEO	PART NO.: LPJK7036CNL	
ANGLES	$\pm 1^\circ$	UNIT: mm		
	SCALE: 2/1	SHEET: 1/2	REV: A	DWG: LP13062220

# Mechanical:

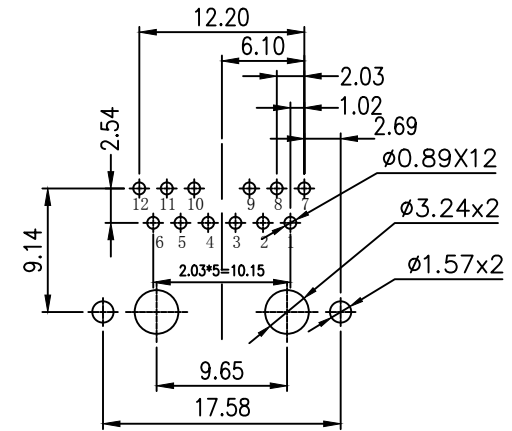
REV.	ECN NO.	DESCRIPTION	DATE	APPD
A	REL		2013/06/22	



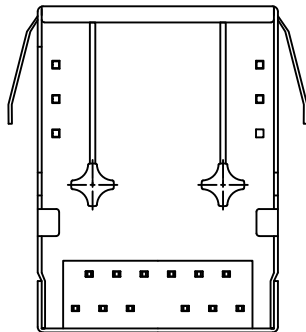
Front Side View



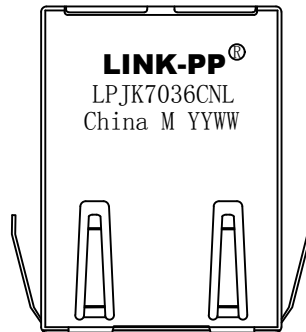
Left Side View



Suggested PCB Layout (Top View)



Bottom Side View



Top Side View

## NOTES:

1. Designed to support application, such as SOHO (ADSL modems), LAN-on-Motherboard (LOM), hub and Switches.
2. Meets IEEE 802.3af specification
3. Connector Materials:  
Housing: Thermoplastic UL94V-0  
Contact/Shield: Copper alloy  
Shield plating: Nickel  
Shield: SUS 304-1/2H Thickness=0.2mm  
Contact plating: Gold 6 micro-inches min. In contact area.
4. Wave solder tip temperature: 260°C, 5 Sec.
5. UL Certification: File Number E484635.



X:X	±0.30	APPD: TOM	LINK-PP INT'L TECHNOLOGY CO., LIMITED
X:XX	±0.25	CHKD: JAMES	
X:XXX	±0.05	DR: LEO	TITLE: RJ45 Connector With 1000 Base-TX Integrated Magnetic
ANGLES	±1°	UNIT: mm	PART NO.: LPJK7036CNL
	SCALE: 2/1	SHEET: 2/2	REV: A DWG: LP13062220