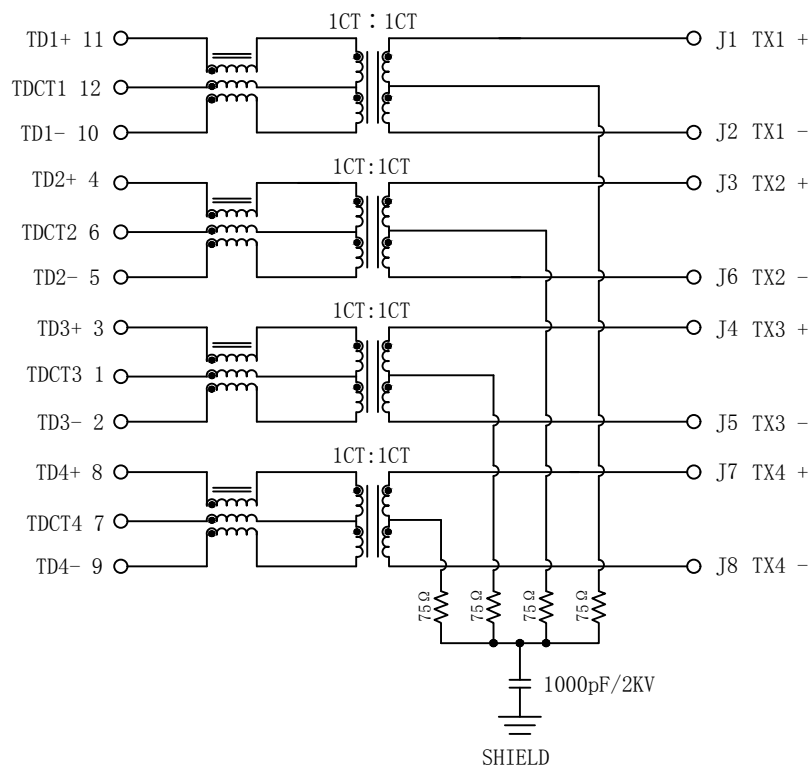


# Schematic:

REV.	ECN NO.	DESCRIPTION	DATE	APPD
A	REL		2013/06/22	

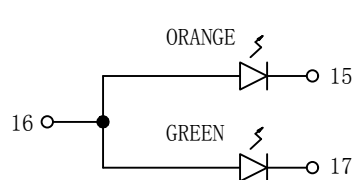
PCB CONNECTIONS



RJ45 CONNECTOR

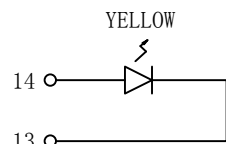
## Electrical Specification @25°C

- Turns Ratio ( $\pm 2\%$ ) : 1CT : 1CT
- OCL: 350uH Min @100KHz/100mVrms  
8mA DC Bias (0°C~70°C)
- Insertion Loss (dB Max):  
1~100MHz:-1.2
- Return Loss (dB Typ @100 OHMS  $\pm 15\%$ ):  
1~10MHz:-18                      30MHz:-18  
60~80MHz:-12                     80~100MHz:-10
- Crosstalk (dB Typ):  
1~10MHz:-40                        32~65MHz:-35  
65~100MHz:-30
- Common Mode Rejection:  
1~125MHz:-30dB Typ
- Hipot: 1500Vrms
- Operating Temperature: 0°C~+70°C.



LEFT LED

LED POLARITY			COLOR
PIN 15	PIN 16	PIN 17	
-	+	/	ORANGE
/	+	-	GREEN



RIGHT LED

LED POLARITY		COLOR
PIN 13	PIN 14	
-	+	YELLOW

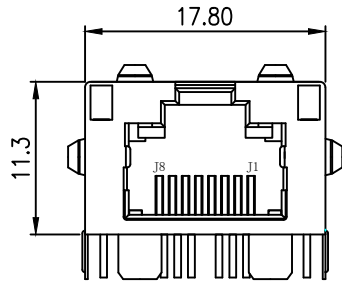
Emitting Color	$\lambda_p$ (nm)	V <sub>F</sub> @I <sub>F</sub> =20mA	I <sub>R</sub> @V <sub>R</sub> =5V
ORANGE	610	1.8~2.6V	10 $\mu$ A max
GREEN	565	1.8~2.6V	10 $\mu$ A max
YELLOW	585	1.8~2.6V	10 $\mu$ A max

X:X	$\pm 0.30$	APPD: TOM	LINK-PP INT'L TECHNOLOGY CO., LIMITED
X:XX	$\pm 0.25$	CHKD: JAMES	
X:XXX	$\pm 0.05$	DR: LEO	TITLE: RJ45 Connector With 1000 Base-TX Integrated Magnetic
ANGLES	$\pm 1^\circ$	UNIT: mm	PART NO.: LPJK7036B98NL
	SCALE: 2/1	SHEET: 1/2	REV: A      DWG: LP13062220

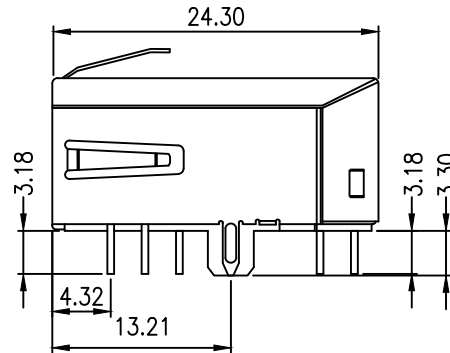


# Mechanical :

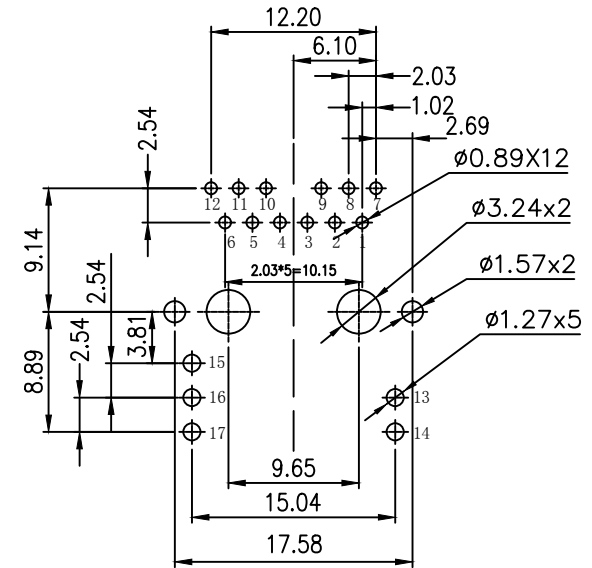
REV.	ECN NO.	DESCRIPTION	DATE	APPD
A	REL		2013/06/22	



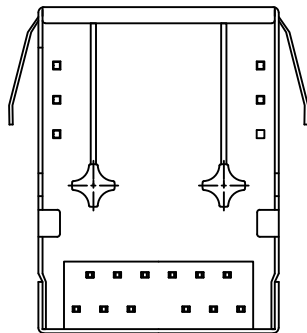
Front Side View



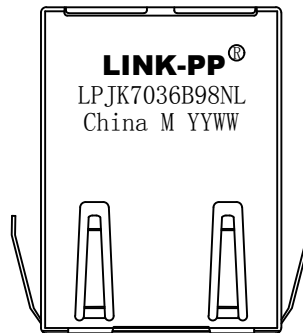
Left Side View



Suggested PCB Layout (Top View)



Bottom Side View



Top Side View

**NOTES:**

1. Designed to support application, such as SOHO (ADSL modems), LAN-on-Motherboard (LOM), hub and Switches.
2. Meets IEEE 802.3af specification
3. Connector Materials:  
Housing: Thermoplastic UL94V-0  
Contact/Shield: Copper alloy  
Shield plating: Nickel  
Shield: SUS 304-1/2H Thickness=0.2mm  
Contact plating: Gold 6 micro-inches min. In contact area.
4. Wave solder tip temperature: 260°C, 5 Sec.
5. UL Certification: File Number E484635.



X:X	±0.30	APPD:	TOM	LINK-PP INT'L TECHNOLOGY CO., LIMITED
X:XX	±0.25	CHKD:	JAMES	
X:XXX	±0.05	DR:	LEO	TITLE: RJ45 Connector With 1000 Base-TX Integrated Magnetic
ANGLES	±1°	UNIT:	mm	PART NO.: LPJK7036B98NL
	SCALE:	2/1	SHEET:	2/2
		REV:	A	DWG: LP13062220