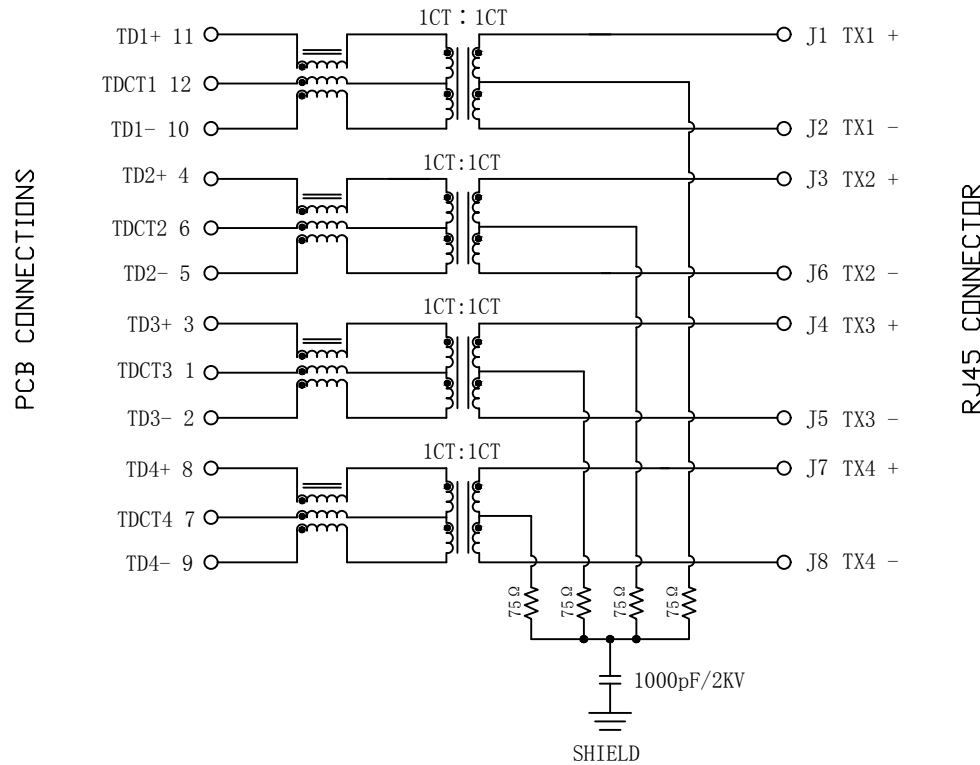


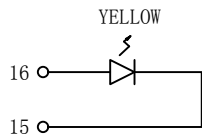
Schematic:

REV.	ECN NO.	DESCRIPTION	DATE	APPD
A6	REL		2013/06/22	



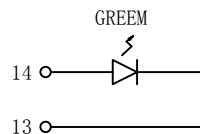
Electrical Specification @25°C

- Turns Ratio ($\pm 2\%$):
Pri : Sec = 1CT : 1CT
- 0CL: 350uH Min @100KHz/100mVrms
8mA DC Bias
- Insertion Loss (dB Max):
1~100MHz: -1.2
- Return Loss (dB Typ @100 OHMS $\pm 15\%$):
1~10MHz: -18 30MHz: -18
60~80MHz: -12 80~100MHz: -10
- Crosstalk (dB Typ):
1~10MHz: -40 32~65MHz: -35
65~100MHz: -30
- Common Mode Rejection:
1~125MHz: -30dB Typ
- Isolation PHY SIDE To Line SIDE : 1500Vrms
- Operating Temperature: 0°C ~ 70°C.



LEFT LED

LED POLARITY		COLOR
PIN 15	PIN 16	
-	+	YELLOW



RIGHT LED

LED POLARITY		COLOR
PIN 13	PIN 14	
-	+	GREEN

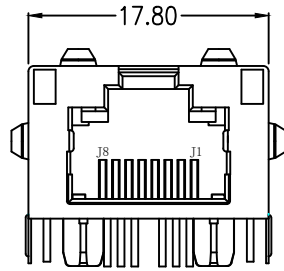


Emitting Color	λ_p (nm)	V _F @I _F =20mA	I _R @V _R =5V
GREEN	565	1.8~2.6V	10 μ A max
YELLOW	585	1.8~2.6V	10 μ A max

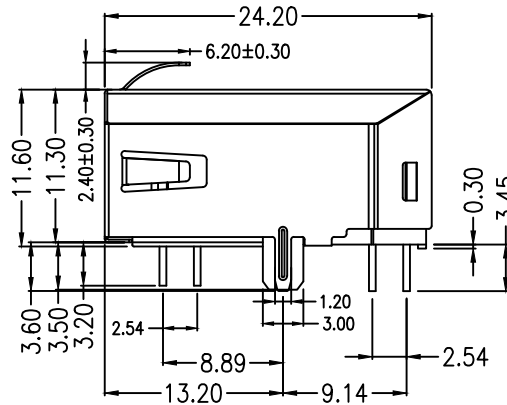
X:X	± 0.30	APPD: TOM	LINK-PP INT'L TECHNOLOGY CO., LIMITED
X:XX	± 0.25	CHKD: JAMES	
X:XXX	± 0.05	DR: LEO	TITLE: RJ45 Connector With 1000 Base-TX Integrated Magnetic
ANGLES	$\pm 1^\circ$	UNIT: mm	PART NO.: LPJK7036AGNL
	SCALE: 2/1	SHEET: 1/2	REV: A6 DWG: LP13062243

Mechanical :

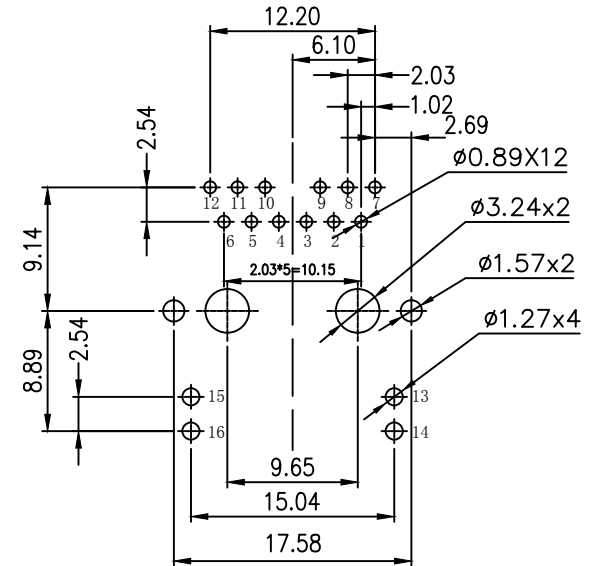
REV.	ECN NO.	DESCRIPTION	DATE	APPD
A6	REL		2013/06/22	



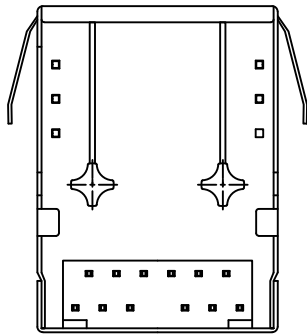
Front Side View



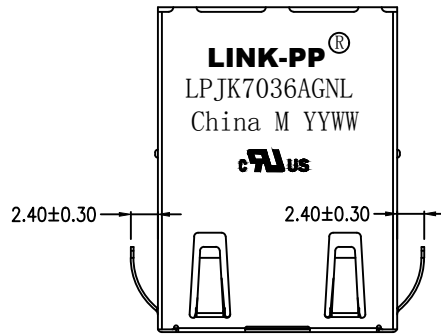
Left Side View



Suggested PCB Layout (Top View)



Bottom Side View



Top Side View

NOTES:

1. Designed to support application, such as SOHO (ADSL modems), LAN-on-Motherboard (LOM), hub and Switches.
2. Meets IEEE 802.3 specification
3. Connector Materials:
Housing: Thermoplastic PBT UL94V-0
Contact/Shield: Copper alloy
Shield plating: Nickel
Shield: SUS 304-1/2H Thickness=0.2mm
Contact plating: Gold 6 micro-inches min. In contact area.
4. Wave solder tip temperature: 250°C, 5 Sec.
5. UL Certification: File Number E484635.



X:X	±0.30	APPD:	TOM	LINK-PP INT'L TECHNOLOGY CO., LIMITED
X:XX	±0.25	CHKD:	JAMES	
X:XXX	±0.05	DR:	LEO	TITLE: RJ45 Connector With 1000 Base-TX Integrated Magnetic
ANGLES	±1°	UNIT:	mm	PART NO.: LPJK7036AGNL
	SCALE:	2/1	SHEET:	2/2
	REV:	A6	DWG:	LP13062243