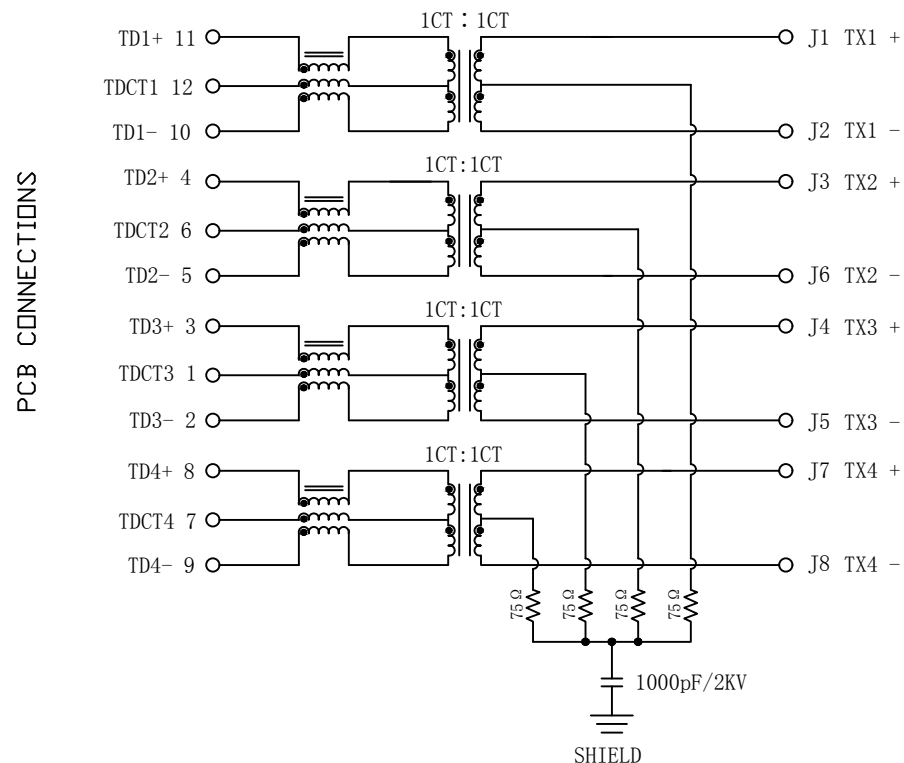


Schematic :

REV.	ECN NO.	DESCRIPTION	DATE	APPD
A6	REL		2013/06/22	

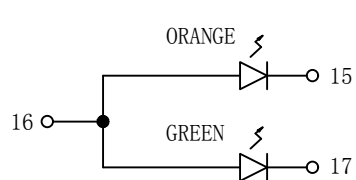


PCB CONNECTIONS

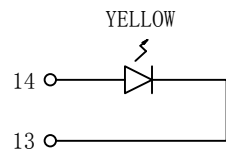
RJ45 CONNECTOR

Electrical Specification @25°C

- Turns Ratio ($\pm 2\%$) : 1CT : 1CT
- 0CL: 350uH Min @100KHz/100mVrms
8mA DC Bias (0°C~70°C)
- Insertion Loss (dB Max):
1~100MHz:-1.2
- Return Loss (dB Typ @100 OHMS $\pm 15\%$):
1~10MHz:-18 30MHz:-18
60~80MHz:-12 80~100MHz:-10
- Crosstalk (dB Typ):
1~10MHz:-40 32~65MHz:-35
65~100MHz:-30
- Common Mode Rejection:
1~125MHz:-30dB Typ
- Isolation PHY SIDE To Line SIDE : 1500Vrms
- Operating Temperature: 0°C ~ +70°C.



LEFT LED



RIGHT LED

LED POLARITY			COLOR
PIN 15	PIN 16	PIN 17	
-	+	/	ORANGE
/	+	-	GREEN

LED POLARITY		COLOR
PIN 13	PIN 14	
-	+	YELLOW

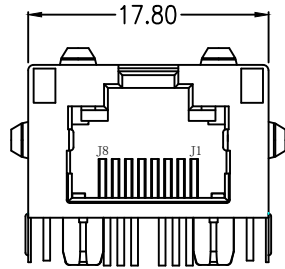
Emitting Color	λ_p (nm)	V _F @I _F =20mA	I _R @V _R =5V
ORANGE	610	1.8~2.6V	10 μ A max
GREEN	565	1.8~2.6V	10 μ A max
YELLOW	585	1.8~2.6V	10 μ A max

X:X	± 0.30	APPD: TOM	LINK-PP INT'L TECHNOLOGY CO., LIMITED
X:XX	± 0.25	CHKD: JAMES	
X:XXX	± 0.05	DR: LEO	TITLE: RJ45 Connector With 1000 Base-TX Integrated Magnetic
ANGLES	$\pm 1^\circ$	UNIT: mm	PART NO.: LPJK7036A98NL
	SCALE: 2/1	SHEET: 1/2	REV: A6 DWG: LP13062220

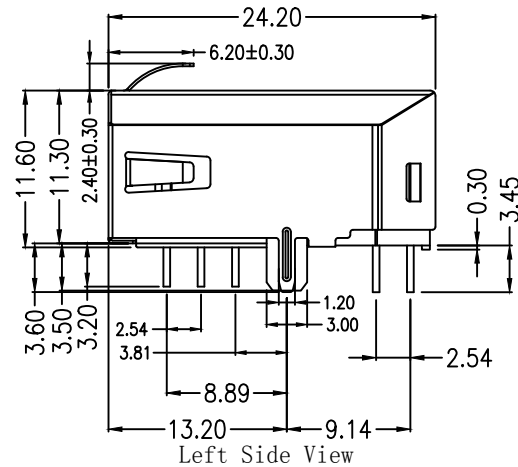


Mechanical :

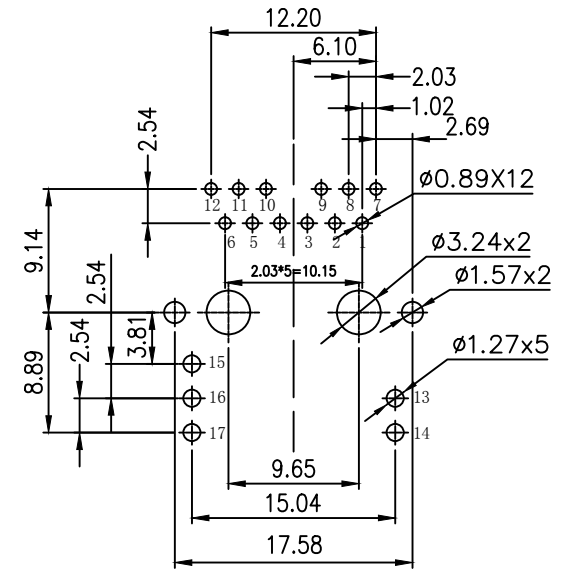
REV.	ECN NO.	DESCRIPTION	DATE	APPD
A6	REL		2013/06/22	



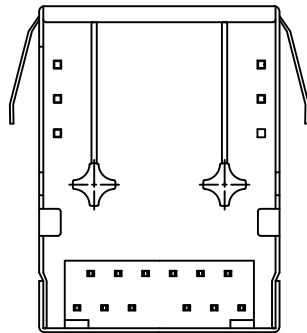
Front Side View



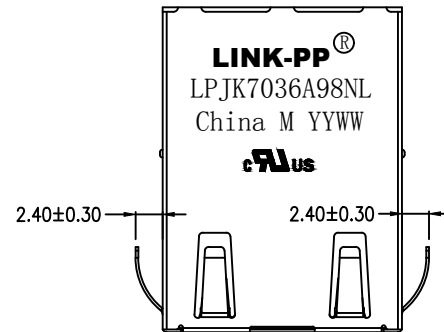
Left Side View



Suggested PCB Layout (Top View)



Bottom Side View



Top Side View

NOTES:

1. Designed to support application, such as SOHO (ADSL modems), LAN-on-Motherboard (LOM), hub and Switches.
2. Meets IEEE 802.3 specification
3. Connector Materials:
 Housing: Thermoplastic PBT UL94V-0
 Contact/Shield: Copper alloy
 Shield plating: Nickel
 Shield: SUS 304-1/2H Thickness=0.2mm
 Contact plating: Gold 6 micro-inches min. In contact area.
4. Wave solder tip temperature: 250°C, 5 Sec.
5. UL Certification: File Number E484635.

X:X	±0.30	APPD: TOM	LINK-PP INT'L TECHNOLOGY CO., LIMITED
X:XX	±0.25	CHKD: JAMES	
X:XXX	±0.05	DR: LEO	TITLE: RJ45 Connector With 1000 Base-TX Integrated Magnetic
ANGLES	±1°	UNIT: mm	PART NO.: LPJK7036A98NL
	SCALE: 2/1	SHEET: 2/2	REV: A6 DWG: LP13062220

