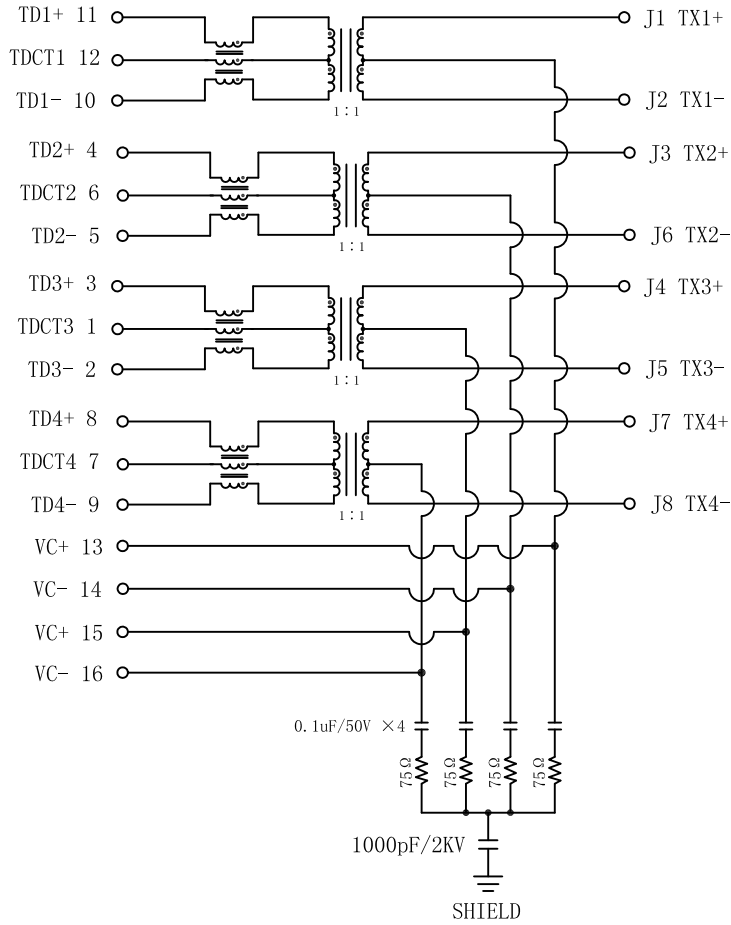


Schematic :

REV.	ECN NO.	DESCRIPTION	DATE	APPD
A	REL		2014-11-29	

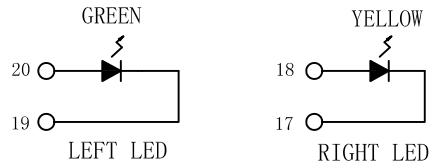
PC BOARD CONNECTIONS



RJ45 CONNECTOR

Electrical Specifications @25°C

- Inductance (@100KHz, 0.1V, 8mA DC) :
J1-J2, J3-J6, J4-J5, J7-J8: 350uH Min
- Turns Ratio (±3%) :
Primary : Secondary = 1CT : 1CT
- Insertion Loss :
1-100MHz: -1.1 dB Max
- Return Loss (dB Min) :
1-40MHz: -18 60MHz: -14
80MHz: -12 100MHz: -10
- Crosstalk :
1-100MHz: -35dB Typ
- Common Mode Rejection (dB Typ) :
0.1-30MHz: -38 30-60MHz: -35
60-100MHz: -30
- Hipot: 1500Vrms Min @60Hz
- Operating Temperature: -40°C ~ +85°C.
- Balanced DC Line current capability
(J1, J2-13) & (J3, J6-14) & (J4, J5-15)
& (J7, J8-16) : 350mA DC.



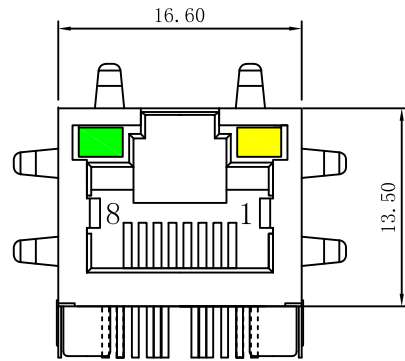
Emitting Color	λ p(nm)	VF@IF=20mA	IR @VR=5V
GREEN	565	1.8~2.6V	10 μ A max
YELLOW	585	1.8~2.6V	10 μ A max



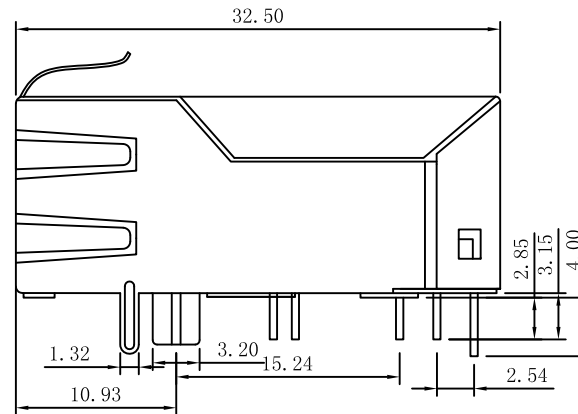
X:X ±0.30	APPD:	LINK-PP INT'L TECHNOLOGY CO., LIMITED		
X:XX ±0.25	CHKD:			
X:XXX ±0.05	DR: TOM	TITLE: RJ45 Connector with 1000 Base-T Integrated Magnetics For PoE Application		
ANGLES ±1°	UNIT: mm	PART NO.: LPJK6072AHNL		
	SCALE: 2/1	SHEET: 1/2	REV: A	DWG NO.: LP14112910

Mechanical :

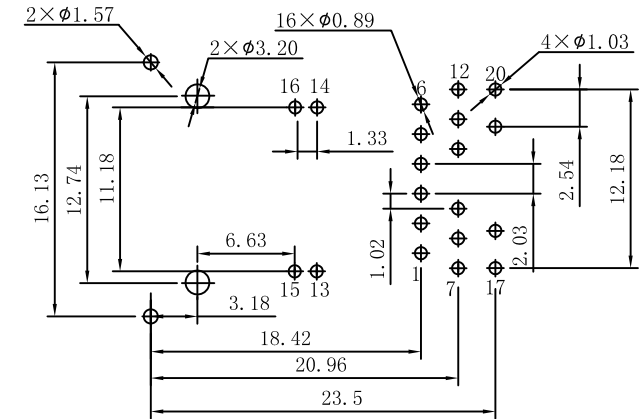
REV.	ECN NO.	DESCRIPTION	DATE	APPD
A	REL		2014-11-29	



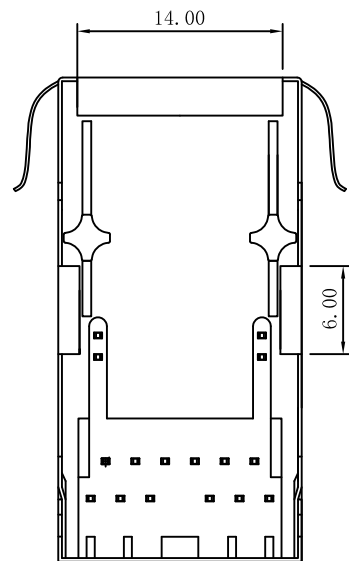
Front Side View



Left Side View



Suggested PCB Layout



Bottom Side View



Top Side View

NOTES:

1. Designed to support application, such as SOHO (ADSL modems), LAN-on-Motherboard (LOM), hub and Switches.
2. Meets IEEE 802.3af specification
3. Connector Materials:
 Housing Material: Thermoplastic PBT+30%G.F UL94V-0
 Contact Material: Phosphor Bronze C5210R-EH Thickness=0.35mm
 Pins: Brass C2680R-H Thickness=0.35mm
 Shield: Copper alloy Brass H65Y Thickness=0.2mm
 Contact plating: Gold 6 micro-inches min. In contact area.
4. Wave solder tip temperature: 265°C Max, 5 Sec Max



X:X	±0.30	APPD:	LINK-PP INT'L TECHNOLOGY CO., LIMITED	
X:XX	±0.25	CHKD:	TITLE: RJ45 Connector with 1000 Base-T Integrated Magnetics For PoE Application	
X:XXX	±0.05	DR: TOM	PART NO.: LPJK6072AHNL	
ANGLES	±1°	UNIT: mm	DWG NO.: LP14112910	
	SCALE: 2/1	SHEET: 2/2	REV: A	