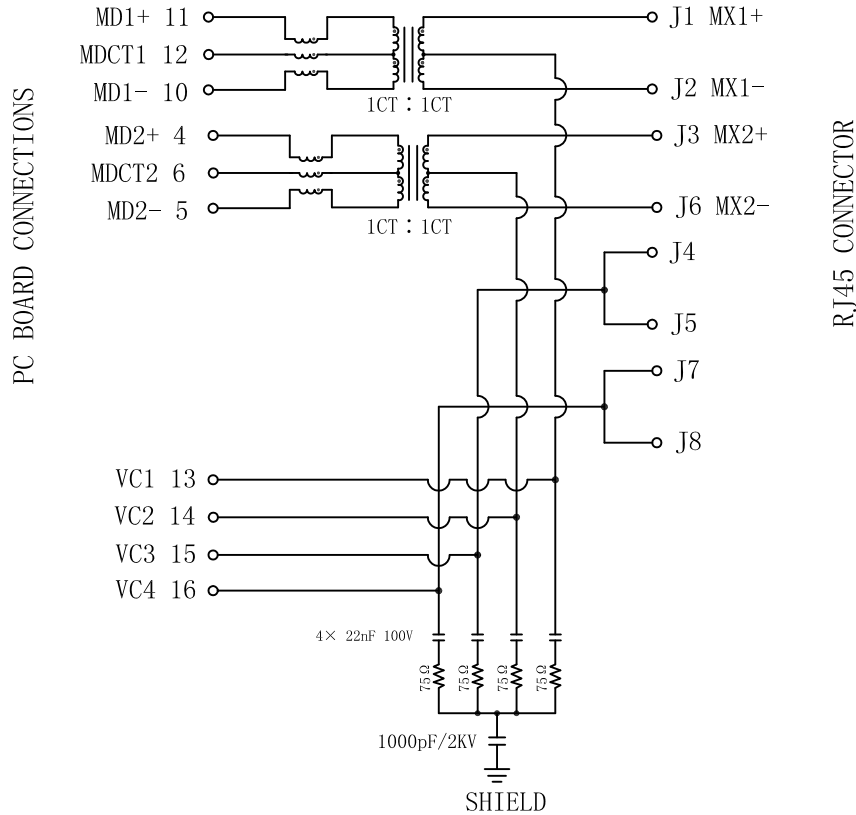
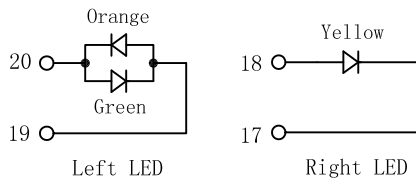
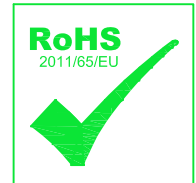


# Schematic:

| REV. | ECN NO. | DESCRIPTION | DATE       | APPD |
|------|---------|-------------|------------|------|
| A    | REL     |             | 2015-06-30 |      |



- Electrical Specifications @25°C
- Inductance (@100KHz, 0.1V, 18mADC):  
J1-J2, J3-J6: 350uH Min
  - Turns Ratio (±2%):  
TX=1CT : 1CT      RX=1CT : 1CT
  - Insertion Loss:  
0.1-1MHz: -1.1 dB Max  
1-65MHz: -0.8 dB Max  
65-100MHz: -1.2 dB Max
  - Return Loss (dB Min):  
0.5-40MHz: -18  
40-100MHz: -12+20LOG(f/80MHz)
  - Crosstalk:  
1-100MHz: -30dB Typ
  - CM TO CM REJ:  
0.1-100MHz: -30dB Min
  - CM TO DM REJ:  
0.1-100MHz: -35dB Min
  - Hipot: 1500Vrms Min @60Hz
  - Operating Temperature: -40°C ~ +85°C.
  - Balanced DC Line Current  
720mA Max @57VDC Continuous.  
1.2A Max @57VDC For 200 Milliseconds.

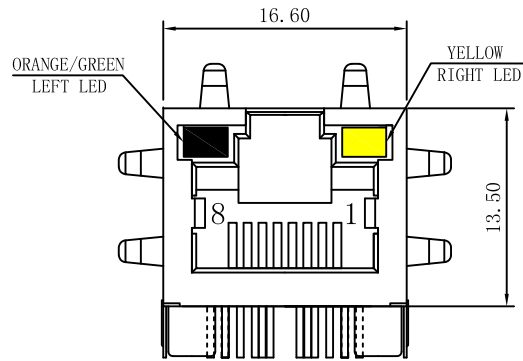


| Emitting Color | λ p(nm) | VF@IF=20mA | IR @VR=5V |
|----------------|---------|------------|-----------|
| Green          | 565     | 1.8~2.4V   | 10 μA max |
| Yellow         | 585     | 1.8~2.4V   | 10 μA max |
| Orange         | 610     | 1.8~2.4V   | 10 μA max |

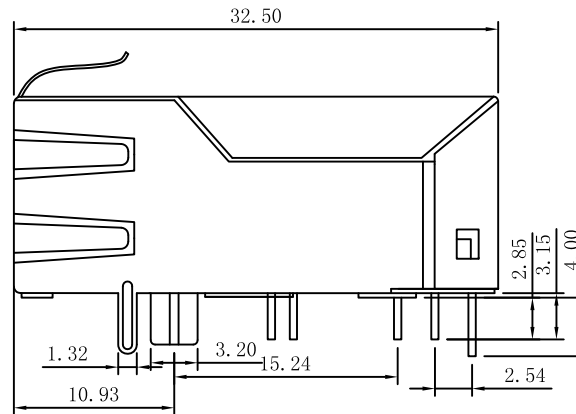
|             |            |   |
|-------------|------------|---|
| X:X ±0.25   | APPD:      | LINK-PP INT'L TECHNOLOGY CO., LIMITED   |
| X:XX ±0.20  | CHKD:      |   |
| X:XXX ±0.05 | DR: TOM    | TITLE: RJ45 Connector with 10/100 Base-T<br>Integrated Magnetics For PoE+ Application |
| ANGLES ±1°  | UNIT: mm   | PART NO.: LPJK6003AONL  |
|             | SCALE: 2/1 | SHEET: 1/2  |
|             | REV: A     | DWG NO.: LP15030316   |

# Mechanical :

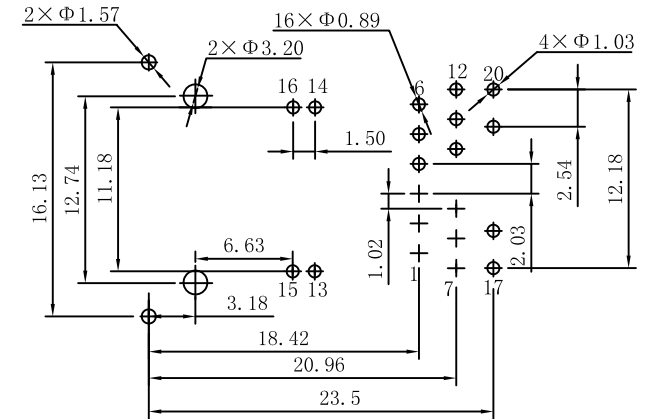
| REV. | ECN NO. | DESCRIPTION | DATE       | APPD |
|------|---------|-------------|------------|------|
| A    | REL     |             | 2015-06-30 |      |



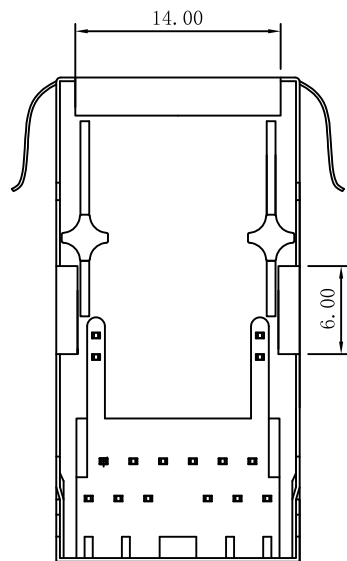
Front Side View



Left Side View



Suggested PCB Layout (Top View)



Bottom Side View



Top Side View



## NOTES :

1. Meets IEEE 802.3at specification
2. Connector Materials:

Housing Material: Thermoplastic PBT+30%G.F UL94V-0  
 Contact Material: Phosphor Bronze C5210R-EH Thickness=0.35mm  
 Pins: Brass C2680R-H Thickness=0.35mm  
 Shield: Copper alloy Brass H65Y Thickness=0.2mm  
 Contact plating: Gold 6 micro-inches min. In contact area.

3. Wave solder tip temperature: 265°C Max, 5 Sec Max

|        |            |            |  |  |
|--------|------------|------------|--|--|
| X:X    | ±0.25      | APPD:      | LINK-PP INT'L TECHNOLOGY CO., LIMITED  |  |
| X:XX   | ±0.20      | CHKD:      | TITLE: RJ45 Connector with 10/100 Base-T Integrated Magnetics For PoE+ Application |  |
| X:XXX  | ±0.05      | DR: TOM    | PART NO.: LPJK6003AONL   |  |
| ANGLES | ±1°        | UNIT: mm   | DWG NO.: LP15030316  |  |
|        | SCALE: 2/1 | SHEET: 2/2 | REV: A   |  |