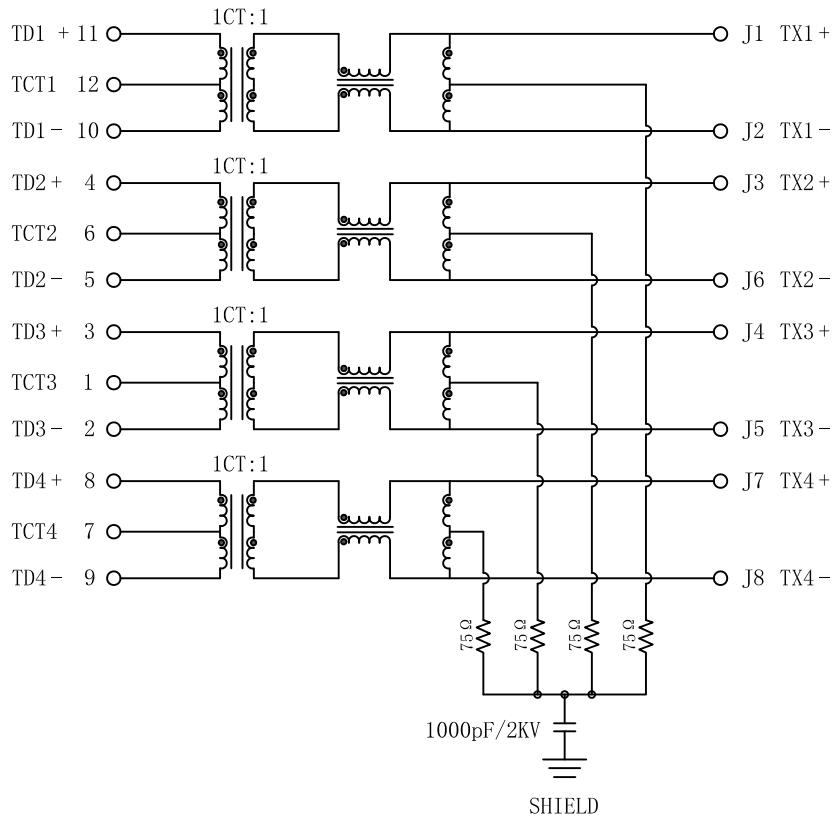


Schematic:

REV.	ECN NO.	DESCRIPTION	DATE	APPD
A	REL		2008-08-12	

PC BOARD CONNECTIONS



RJ45 CONNECTOR

Electrical Specifications @25°C

1. Turns Ratio:

- (P11-P10) : (J1-J2) : 1 : 1 ±2%
- (P4-P5) : (J3-J6) : 1 : 1 ±2%
- (P3-P2) : (J4-J5) : 1 : 1 ±2%
- (P8-P9) : (J7-J8) : 1 : 1 ±2%

2. Inductance:

- (P11-P10) ; (P4-P5) ; (P3-P2) ; (P8-P9) :
- 350uH MIN. @ 100KHz, 0.1V, 8mA DC BIAS

3. Insertion Loss:

- 1~100MHz: -1.0dB MAX

4. Return Loss (dB MIN):

- 1~10MHz: -20 30MHz: -16
- 60~80MHz: -12 80~100MHz: -10

5. Crosstalk (dB MIN):

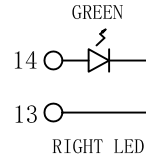
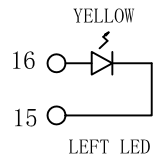
- 1~10MHz: -40 32~65MHz: -35
- 65~100MHz: -30

6. Common To Common Mode (dB MIN):

- 1~125MHz: -30 125~500MHz: -20

7. Hipot: 1500Vrms @60Hz

8. Operating Temperature: -40°C ~ +85°C.



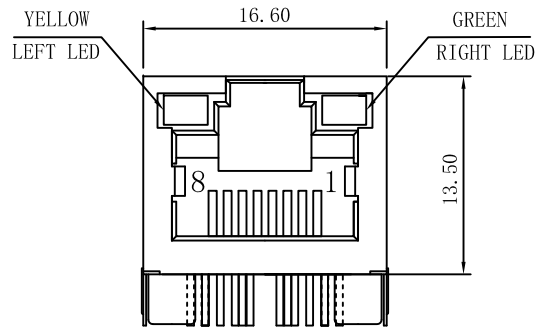
Emitting Color	λ p(nm)	VF@IF=20mA	IR @VR=5V
YELLOW	585	1.8~2.6V	10 μ A max
GREEN	565	1.8~2.6V	10 μ A max



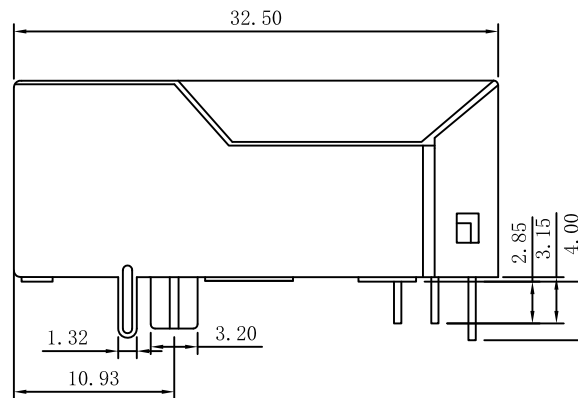
X:X ±0.30	APPD:	LINK-PP INT'L TECHNOLOGY CO., LIMITED
X:XX ±0.25	CHKD:	
X:XXX ±0.05	DR: TOM	TITLE: RJ45 Connector with 1000 Base-T Integrated Magnetics
ANGLES ±1°	UNIT: mm	PART NO.: LPJK4071BGNL
	SCALE: 2/1	SHEET: 2/2
	REV: A	DWG NO.: LP08081219

Mechanical :

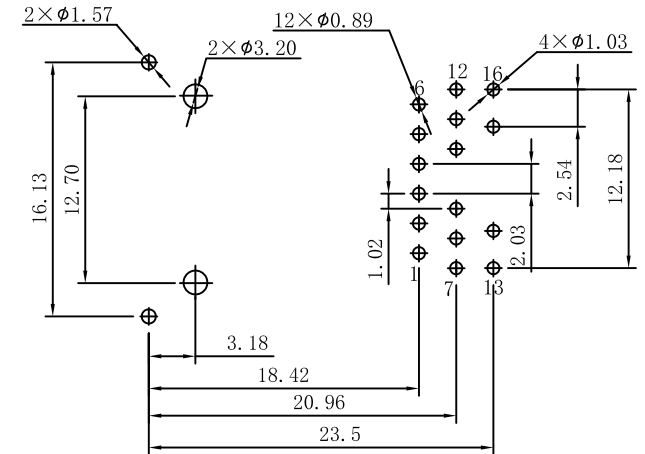
REV.	ECN NO.	DESCRIPTION	DATE	APPD
A	REL		2008-08-12	



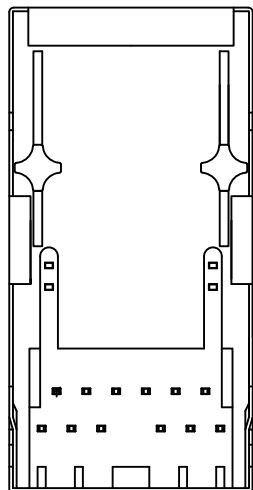
Front Side View



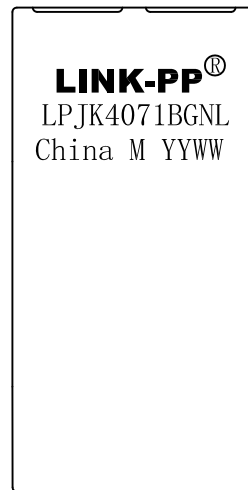
Left Side View



Suggested PCB Layout (Top View)



Bottom Side View



Top Side View

NOTES:

1. Designed to support application, such as SOHO (ADSL modems), LAN-on-Motherboard (LOM), hub and Switches.
2. Meets IEEE 802.3 specification
3. Connector Materials:
Housing: Thermoplastic UL94V-0
Contact/Shield: Copper alloy
Shield plating: Nickel
Contact plating: Gold 6 micro-inches Min. In contact area.
4. Wave peak temperature: 260°C Max, 5Sec.
5. UL Certification: File Number E484635.



X:X ±0.30	APPD:	LINK-PP INT'L TECHNOLOGY CO., LIMITED
X:XX ±0.25	CHKD:	
X:XXX ±0.05	DR: TOM	TITLE: RJ45 Connector with 1000 Base-T Integrated Magnetics
ANGLES ±1°	UNIT: mm	PART NO.: LPJK4071BGNL
	SCALE: 2/1	SHEET: 2/2
	REV: A	DWG NO.: LP08081219