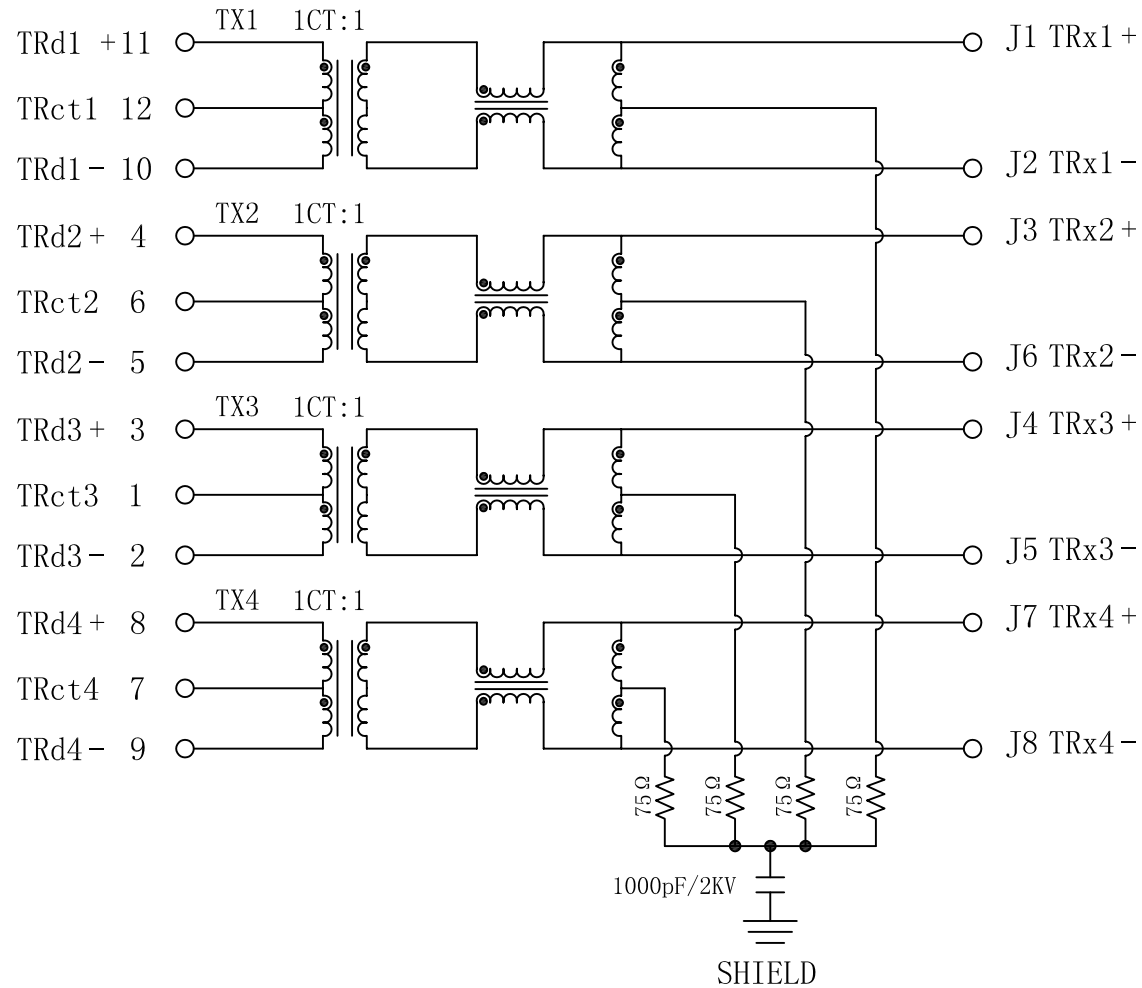


Schematic:

REV.	ECN NO.	DESCRIPTION	DATE	APPD
A	REL		30/12/2009	

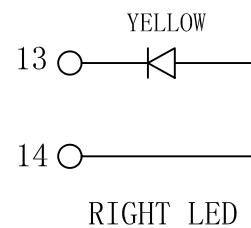
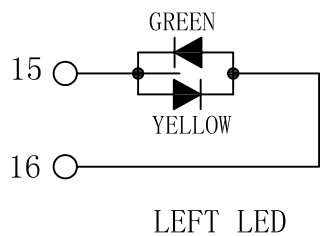
PHY SIDE

CABLE SIDE



Electrical Specifications @25°C

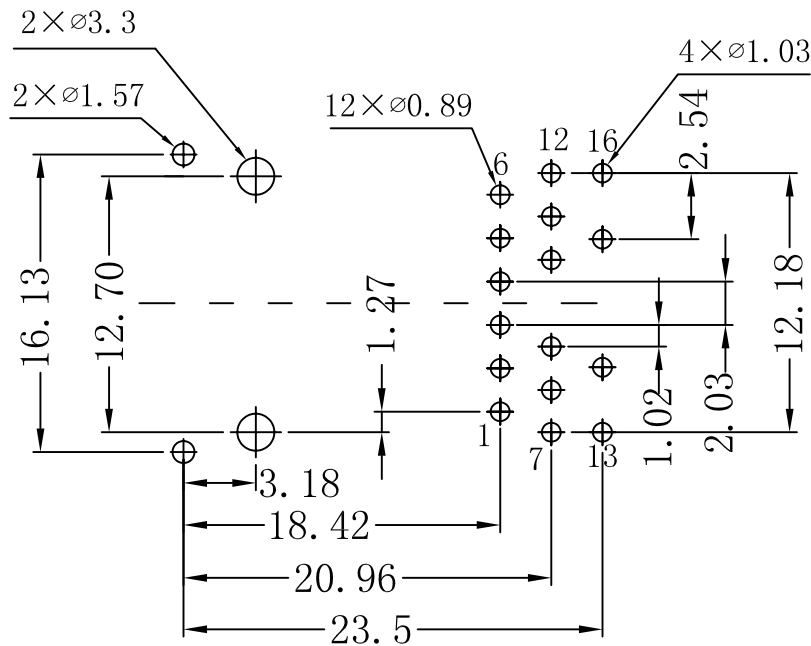
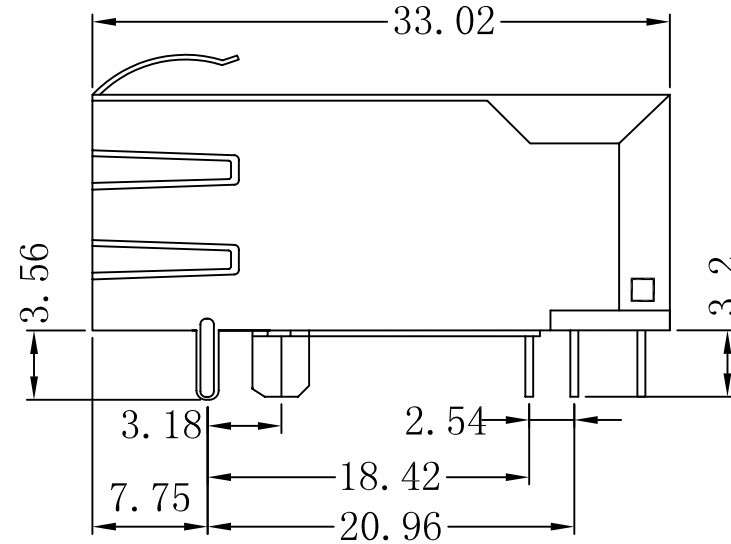
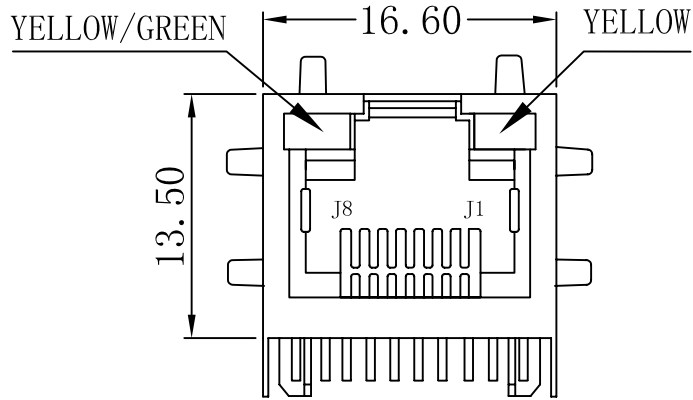
- OCL(100KHz, 0.1V, 8mA DC Bias):
350uH min
- Turns Ratio($\pm 2\%$):
TX=1CT:1 RX=1CT:1
- Insertion Loss:
1-100MHz:-1.0dB MAX
- Return Loss(dB MIN):
1-10MHz:-20 30MHz:-16
60-80MHz:-12 80-100MHz:-10
- Crosstalk(dB MIN):
1-10MHz:-40 32-65MHz:-35
65-100MHz:-30
- CMR(dB MIN):
1-125MHz:-30 125-500MHz:-20
- Hipot:1500Vrms
- Operating Temperature: -40°C ~+85°C.



X:X	± 0.20	APPD:	LINK-PP INT'L TECHNOLOGY CO., LIMITED
X:XX	± 0.10	CHKD:	
X:XXX	± 0.05	DR: TOM	
ANGLES	$\pm 1^\circ$	UNIT: mm	Part No.: LPJK4071A35NL
	SCALE: 2/1	SHEET: 1/2	REV: A DWG NO.: LP10092103

Mechanical:

REV.	ECN NO.	DESCRIPTION	DATE	APPD
A	REL		2010/09/21	



SUGGESTED PCB LAYOUT (TOP VIEW)

NOTES:

1. Designed to support application, such as SOHO (ADSL modems), LAN-on-Motherboard (LOM), hub and Switches.
2. Meets IEEE 802.3 specification
3. Connector Materials:
 Housing: Thermoplastic UL94V-0
 Contact/Shield: Copper alloy
 Shield plating: Nickel
 Contact plating: Gold 6 micro-inches min. In contact area.
4. Wave solder tip temperature: 265°C Max
 Wave solder tip temperature time: 5 Sec Max



X:X	±0.20	APPD:	LINK-PP INT'L TECHNOLOGY CO., LIMITED
X:XX	±0.10	CHKD:	
X:XXX	±0.05	DR: TOM	Title: RJ45 Connector with 1000 Base-TX Integrated Magnetic
ANGLES	±1°	UNIT: mm	PART NO.: LPJK4071A35NL
	SCALE: 2/1	SHEET: 2/2	REV: A DWG NO.: LP10092103