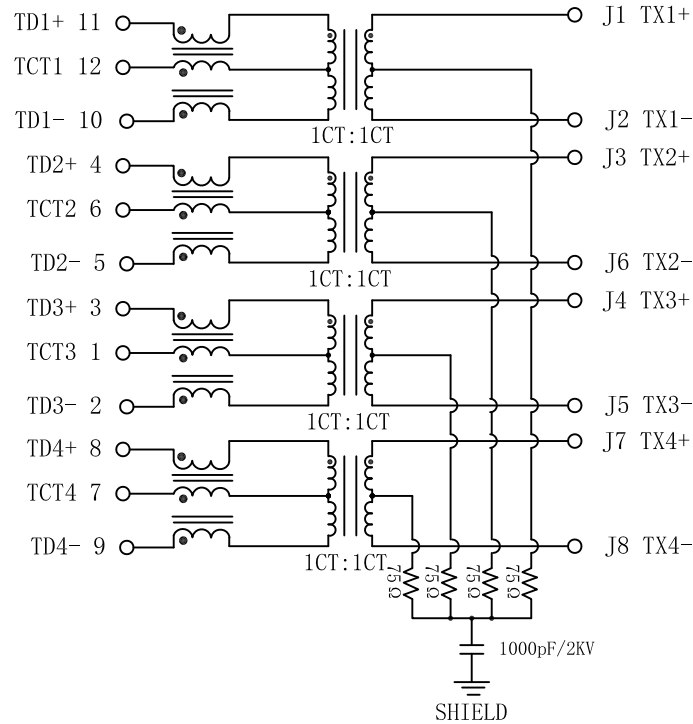


Schematic:

REV.	ECN NO.	DESCRIPTION	DATE	APPD
A	REL		2008-11-06	

PCB SIDE TO PHY



CABLE SIDE

Electrical Specifications @25°C

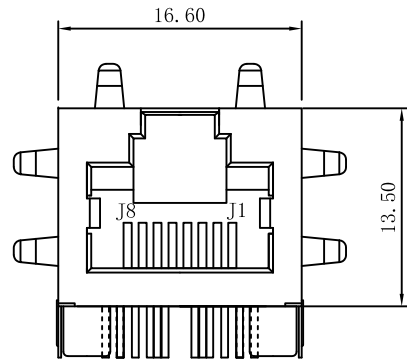
- Turns Ratio ($\pm 2\%$):
Pri:Sec = 1CT:1CT
- OCL: 350uH MIN
@100KHz 100mV 8mA DC
- Insertion Loss:
1-100MHZ: -1.0dB MAX
- Return Loss (dB MIN):
1-10MHz: -20; 30MHz: -16
60-80MHz: -12 80-100MHz: -10
- Crosstalk (dB MIN):
1-10MHz: -40; 32-65MHz: -35
65-100MHz: -30
- CMR (dB MIN):
1-125MHz: -30; 125-500MHz: -20
- Hipot: 1500Vrms
- Operating Temperature: $-40^{\circ}\text{C} \sim +85^{\circ}\text{C}$.



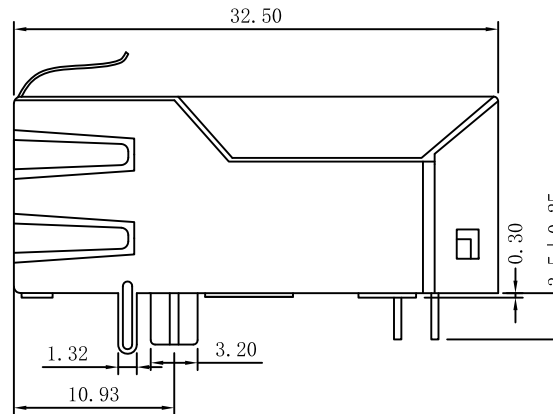
X:X	± 0.30	APPD:	LINK-PP INT'L TECHNOLOGY CO., LIMITED	
X:XX	± 0.25	CHKD:	TITLE: RJ45 Connector with 1000 Base-T Integrated Magnetics	
X:XXX	± 0.05	DR: TOM	PART NO.: LPJK4036CNL	
ANGLES	$\pm 1^{\circ}$	UNIT: mm		
	SCALE: 2/1	SHEET: 1/2	REV: A	DWG NO.: LP08110622

Mechanical :

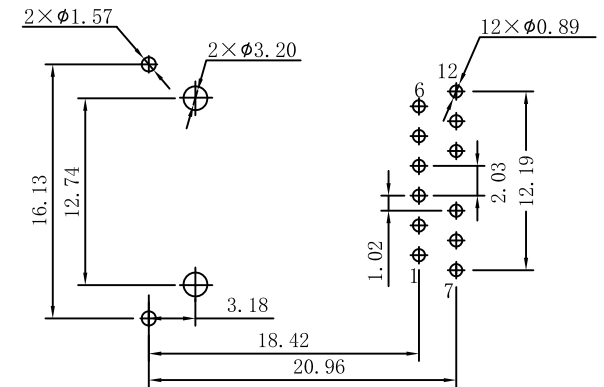
REV.	ECN NO.	DESCRIPTION	DATE	APPD
A	REL		2008-11-06	



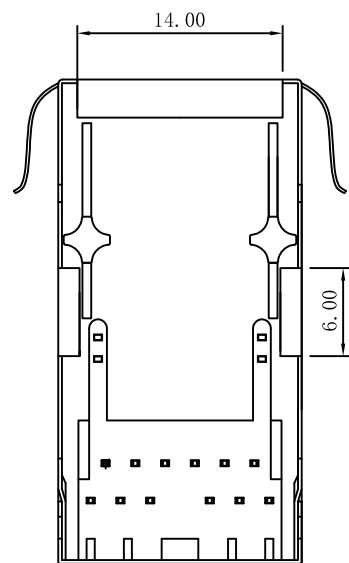
Front Side View



Left Side View



Suggested PCB Layout (Top View)



Bottom Side View



Top Side View

NOTES:

1. Designed to support application, such as SOHO (ADSL modems), LAN-on-Motherboard (LOM), hub and Switches.
2. Meets IEEE 802.3 specification
3. Connector Materials:
Housing: Thermoplastic UL94V-0
Contact/Shield: Copper alloy
Shield plating: Nickel
Contact plating: Gold 6 micro-inches Min. In contact area.
4. Wave peak temperature: 260°C Max, 5Sec Max.



X:X	±0.30	APPD:	LINK-PP INT'L TECHNOLOGY CO., LIMITED	
X:XX	±0.25	CHKD:	TITLE: RJ45 Connector with 1000 Base-T Integrated Magnetics	
X:XXX	±0.05	DR: TOM	PART NO.: LPJK4036CNL	
ANGLES	±1°	UNIT: mm	DWG NO.: LP08110622	
		SCALE: 2/1	SHEET: 2/2	REV: A