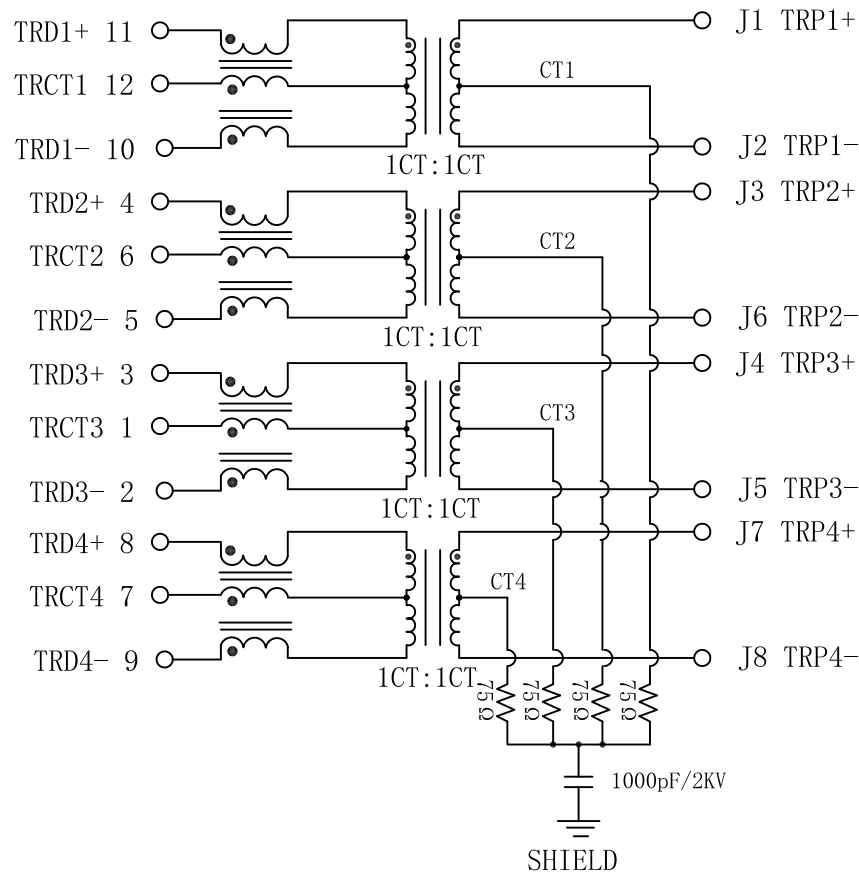


Schematic:

REV.	ECN NO.	DESCRIPTION	DATE	APPD
A	REL		2008-11-06	

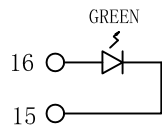
PCB SIDE



CABLE SIDE

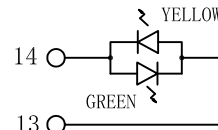
Electrical Specifications @25°C

- Turns Ratio ($\pm 2\%$):
Pri : Sec = 1CT : 1CT
- OCL (@100KHz, 100mV, 8mA DC Bias):
350uH Min
- Insertion Loss:
1~100MHz: -1.0dB Max
- Return Loss (dB Min):
1~10MHz: -20 ; 30MHz: -16
60~80MHz: -12 ; 80~100MHz: -10
- Crosstalk (dB Min):
1~10MHz: -40 ; 32~65MHz: -35
65~100MHz: -30
- Common Mode Rejection (dB Min):
1~125MHz: -30 ; 125~500MHz: -20
- Hi-Pot: 1500Vrms @60Hz
- Operating Temperature: -40°C ~ +85°C.



LEFT LED

LED POLARITY		COLOR
PIN 16	PIN 15	
+	-	GREEN



RIGHT LED

LED POLARITY		COLOR
PIN 14	PIN 13	
+	-	GREEN
-	+	YELLOW

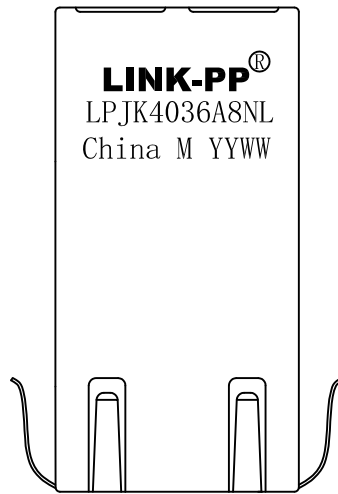
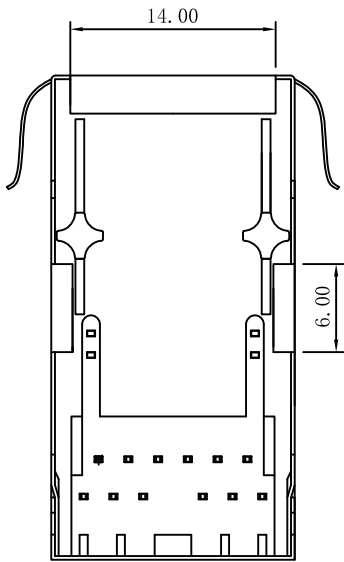
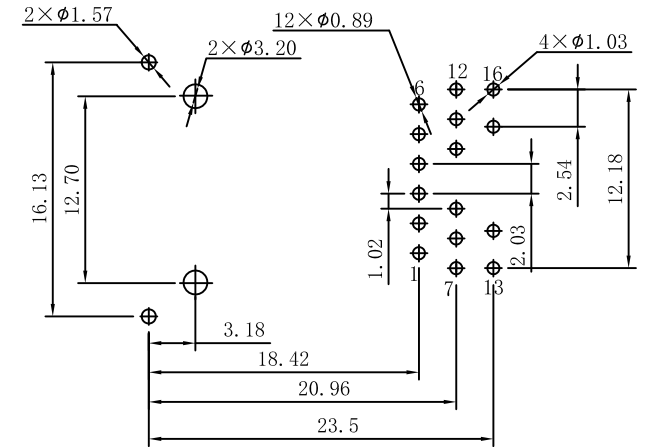
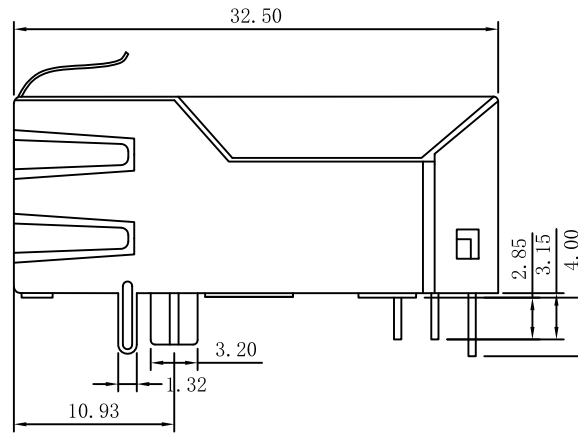
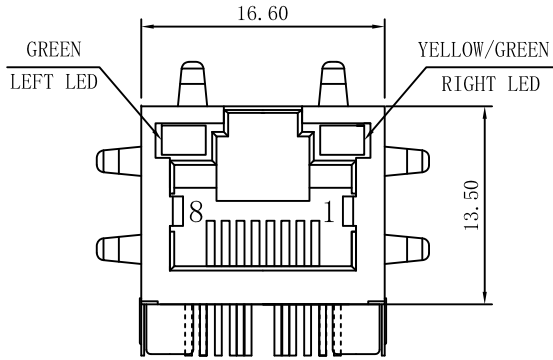


Emitting Color	λ_p (nm)	V _F @I _F =20mA	I _R @V _R =5V
GREEN	565	1.8~2.6V	10 μ A max
YELLOW	585	1.8~2.6V	10 μ A max

X:X	± 0.30	APPD:	LINK-PP INT'L TECHNOLOGY CO., LIMITED	
X:XX	± 0.25	CHKD:	TITLE: RJ45 Connector with 1000 Base-T Integrated Magnetics	
X:XXX	± 0.05	DR: TOM	PART NO.: LPJK4036A8NL	
ANGLES	$\pm 1^\circ$	UNIT: mm	DWG NO.: LP08110642	
		SCALE: 2/1	SHEET: 1/2	REV: A

Mechanical :

REV.	ECN NO.	DESCRIPTION	DATE	APPD
A	REL		2008-11-06	



NOTES:

1. Designed to support application, such as SOHO (ADSL modems), LAN-on-Motherboard (LOM), hub and Switches.
2. Meets IEEE 802.3 specification
3. Connector Materials:
Housing: Thermoplastic UL94V-0
Contact/Shield: Copper alloy
Shield plating: Nickel
Contact plating: Gold 6 micro-inches Min. In contact area.
4. Wave peak temperature: 260°C Max, 5Sec.
5. UL Certification: File Number E484635.



X:X ±0.30	APPD:	LINK-PP INT'L TECHNOLOGY CO., LIMITED
X:XX ±0.25	CHKD:	
X:XXX ±0.05	DR: TOM	TITLE: RJ45 Connector with 1000 Base-T Integrated Magnetics
ANGLES ±1°	UNIT: mm	PART NO.: LPJK4036A8NL
	SCALE: 2/1	SHEET: 2/2
	REV: A	DWG NO.: LP08110642