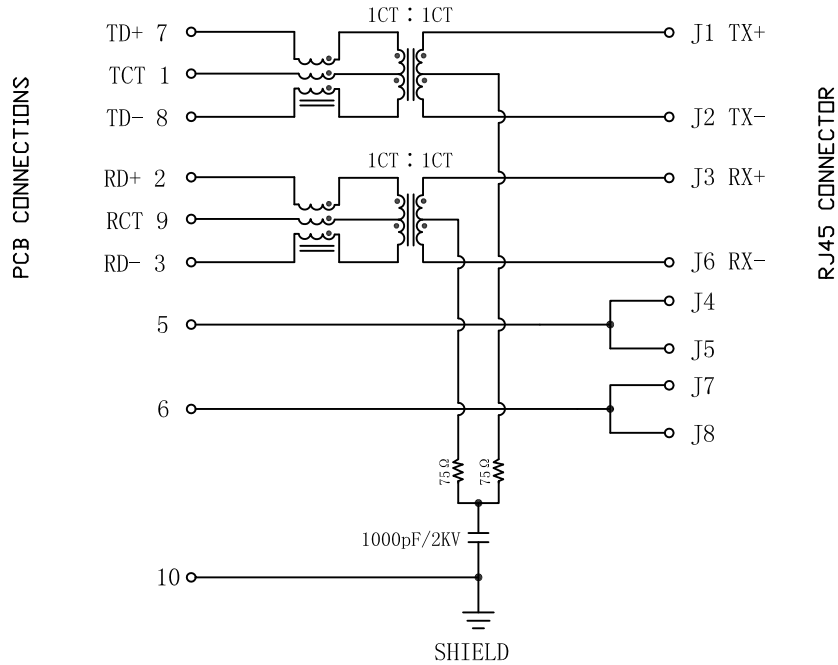


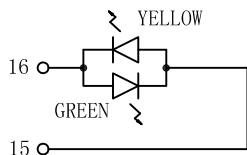
Schematic:

REV.	ECN NO.	DESCRIPTION	DATE	APPD
A	REL		2016-12-23	



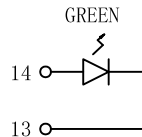
Electrical Specifications @25°C

- OCL: 350uH MIN
@100KHz, 100mV, 8mA bias current.
- Turns Ratio(±2%):
TX = 1CT : 1CT RX = 1CT : 1CT
- Insertion Loss:
100kHz:-1.2dB MAX
1-125MHz:-1.0dB MAX
- Return Loss(@100 Ω ± 15 Ω):
0.1-30MHz:-16dB MIN
30-60MHz:-13dB MIN
60-80MHz:-10dB MIN
- Crosstalk:
1MHz:-50dB MIN
10-100MHz:-30dB MIN
- CMRR:
2MHz:-50dB MIN
30-200MHz:-18dB MIN
- Hipot: 1500Vrms MIN
- Operating Temperature: -40°C ~ +85°C.



LEFT LED

LED POLARITY		COLOR
PIN 15	PIN 16	
+	-	YELLOW
-	+	GREEN



RIGHT LED

LED POLARITY		COLOR
PIN 13	PIN 14	
-	+	GREEN

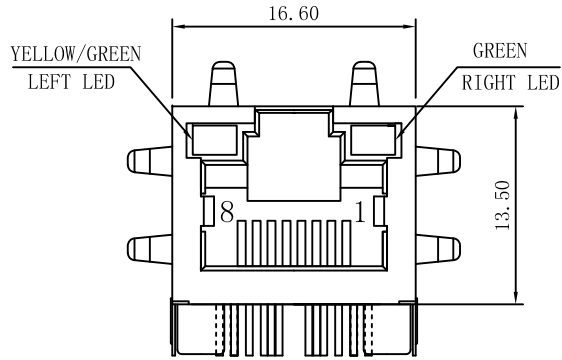


Emitting Color	λp(nm)	VF@IF=20mA	IR @VR=5V
GREEN	565	1.8~2.6V	10 μA max
YELLOW	585	1.8~2.6V	10 μA max

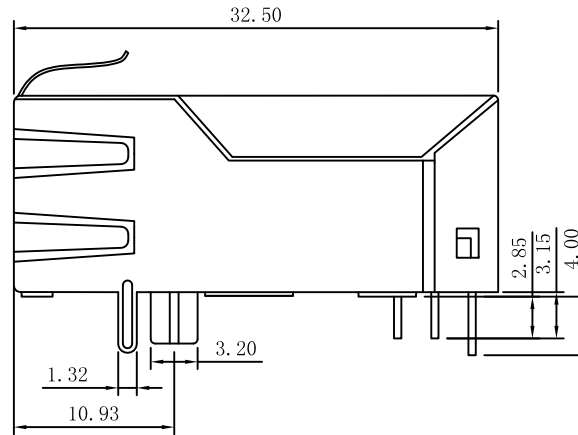
X:X ±0.30	APPD:	LINK-PP INT'L TECHNOLOGY CO., LIMITED
X:XX ±0.25	CHKD:	
X:XXX ±0.05	DR: TOM	TITLE: RJ45 Connector with 10/100 Base-T Integrated Magnetics
ANGLES ±1°	UNIT: mm	PART NO.: LPJK4021AINL
	SCALE: 2/1	SHEET: 1/2
	REV: A	DWG NO.: LP16122301

Mechanical :

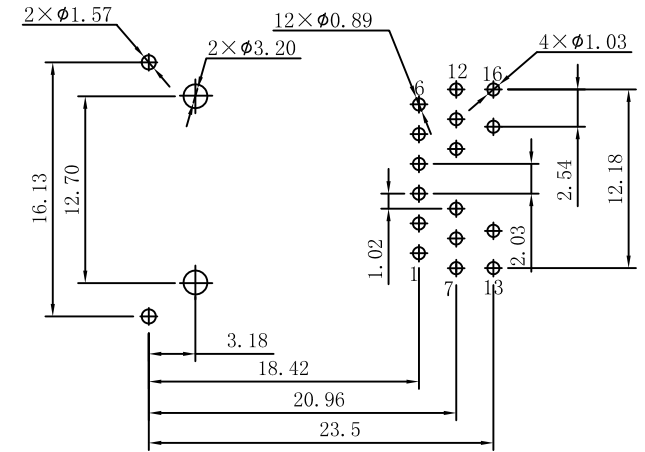
REV.	ECN NO.	DESCRIPTION	DATE	APPD
A	REL		2016-12-23	



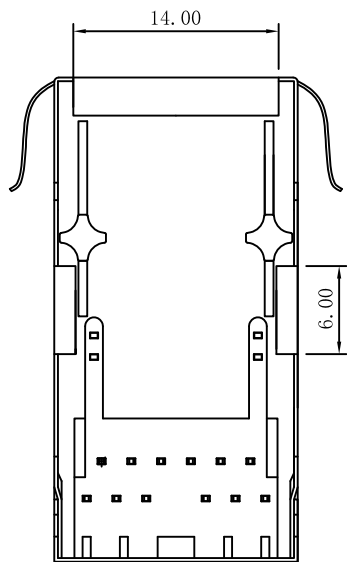
Front Side View



Left Side View



Suggested PCB Layout (Top View)



Bottom Side View



Top Side View

NOTES:

1. Designed to support application, such as SOHO (ADSL modems), LAN-on-Motherboard (LOM), hub and Switches.
2. Meets IEEE 802.3af specification
3. Connector Materials:
Housing: Thermoplastic UL94V-0
Contact/Shield: Copper alloy
Shield plating: Nickel
Contact plating: Gold 6 micro-inches Min. In contact area.
4. Wave peak temperature: 260°C Max, 5Sec.
5. UL Certification: File Number E484635.



X:X ±0.30	APPD:	LINK-PP INT'L TECHNOLOGY CO., LIMITED
X:XX ±0.25	CHKD:	
X:XXX ±0.05	DR: TOM	TITLE: RJ45 Connector with 10/100 Base-T Integrated Magnetics
ANGLES ±1°	UNIT: mm	PART NO.: LPJK4021AINL
	SCALE: 2/1	SHEET: 2/2
	REV: A	DWG NO.: LP16122301