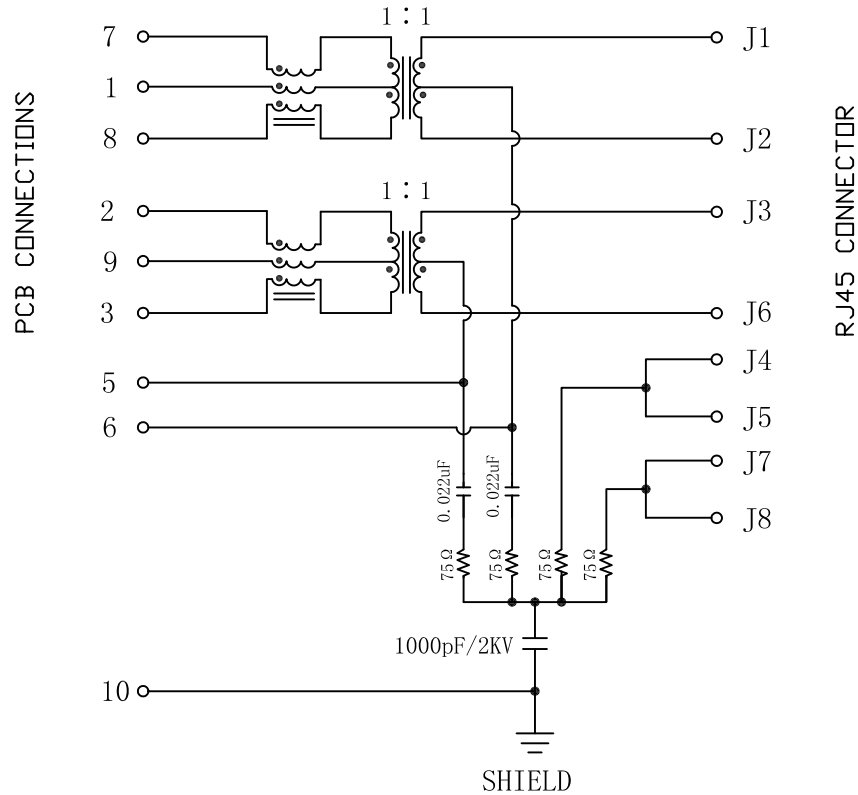


Schematic:

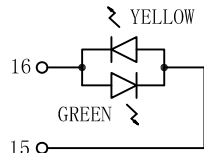
REV.	ECN NO.	DESCRIPTION	DATE	APPD
A	REL			



Electrical Specifications @25°C

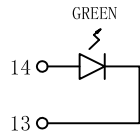
1. OCL: 350uH MIN
@100KHz, 100mV, 8mA bias current.
2. Turns Ratio ($\pm 2\%$): 1 : 1
3. Insertion Loss:
100kHz: -1.2dB MAX
1-125MHz: -1.0dB MAX
4. Return Loss (@100 $\Omega \pm 15 \Omega$):
0.1-30MHz: -16dB MIN
30-60MHz: -13dB MIN
60-80MHz: -10dB MIN
5. Crosstalk:
1MHz: -50dB MIN
10-100MHz: -30dB MIN
6. CMRR:
2MHz: -50dB MIN
30-200MHz: -18dB MIN
7. Hipot: 1500Vrms MIN
8. Operating Temperature: -40°C ~ +85°C.

Emitting Color	λ p(nm)	VF@IF=20mA	IR @VR=5V
GREEN	565	1.8~2.6V	10 μ A max
YELLOW	585	1.8~2.6V	10 μ A max



LEFT LED

LED POLARITY		COLOR
PIN 15	PIN 16	
+	-	YELLOW
-	+	GREEN



RIGHT LED

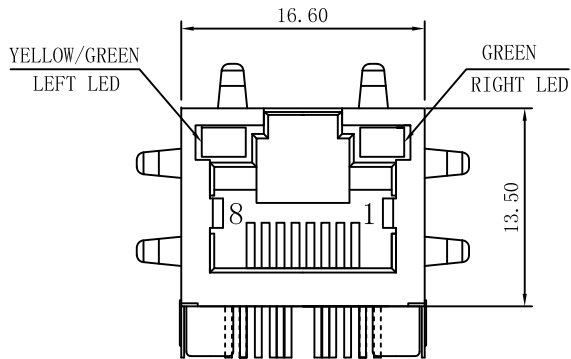
LED POLARITY		COLOR
PIN 14	PIN 13	
+	-	GREEN



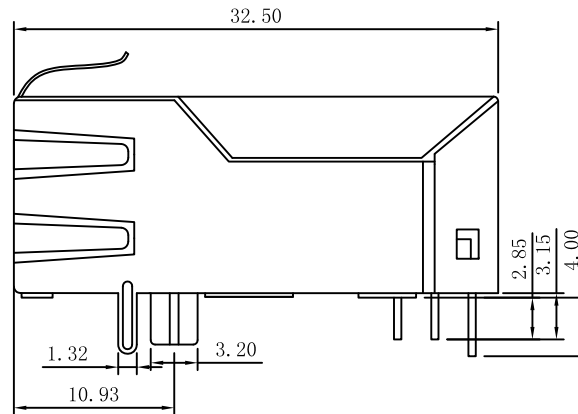
X:X	± 0.30	APPD:	LINK-PP INT'L TECHNOLOGY CO., LIMITED	
X:XX	± 0.25	CHKD:	TITLE: RJ45 Connector with 10/100 Base-T Integrated Magnetics	
X:XXX	± 0.05	DR: TOM		
ANGLES	$\pm 1^\circ$	UNIT: mm	PART NO.: LPJK4017AINL	
	SCALE: 2/1	SHEET: 2/2	REV: A	DWG NO.: LP15032401

Mechanical :

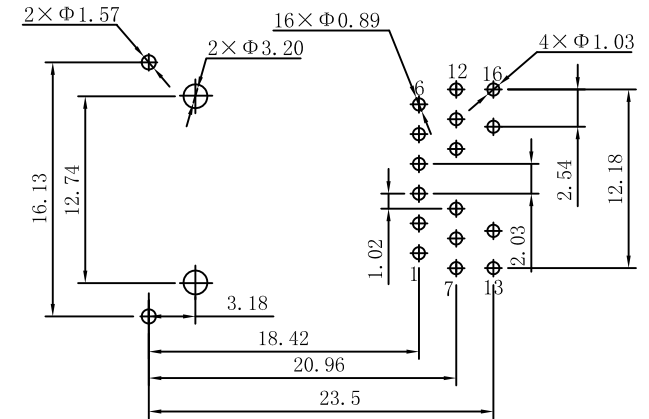
REV.	ECN NO.	DESCRIPTION	DATE	APPD
A	REL		2008-11-06	



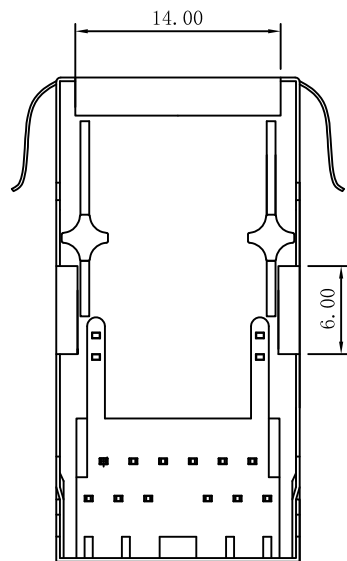
Front Side View



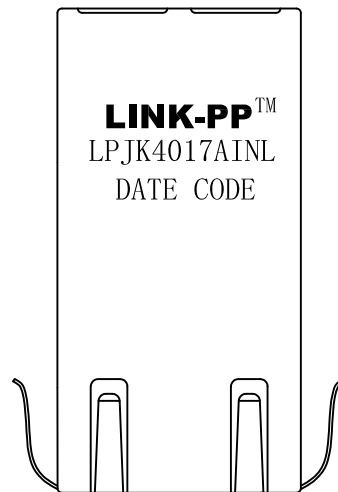
Left Side View



Suggested PCB Layout (Top View)



Bottom Side View



Top Side View

NOTES:

1. Designed to support application, such as SOHO (ADSL modems), LAN-on-Motherboard (LOM), hub and Switches.
2. Meets IEEE 802.3 specification
3. Connector Materials:
Housing: Thermoplastic UL94V-0
Contact/Shield: Copper alloy
Shield plating: Nickel
Contact plating: Gold 6 micro-inches Min. In contact area.
4. Wave peak temperature: 260°C Max, 5Sec Max.



X:X ±0.30	APPD:	LINK-PP INT'L TECHNOLOGY CO., LIMITED		
X:XX ±0.25	CHKD:	TITLE: RJ45 Connector with 10/100 Base-T Integrated Magnetics		
X:XXX ±0.05	DR: TOM	PART NO.: LPJK4017AINL		
ANGLES ±1°	UNIT: mm			
	SCALE: 2/1	SHEET: 2/2	REV: A	DWG NO.: LP15032401