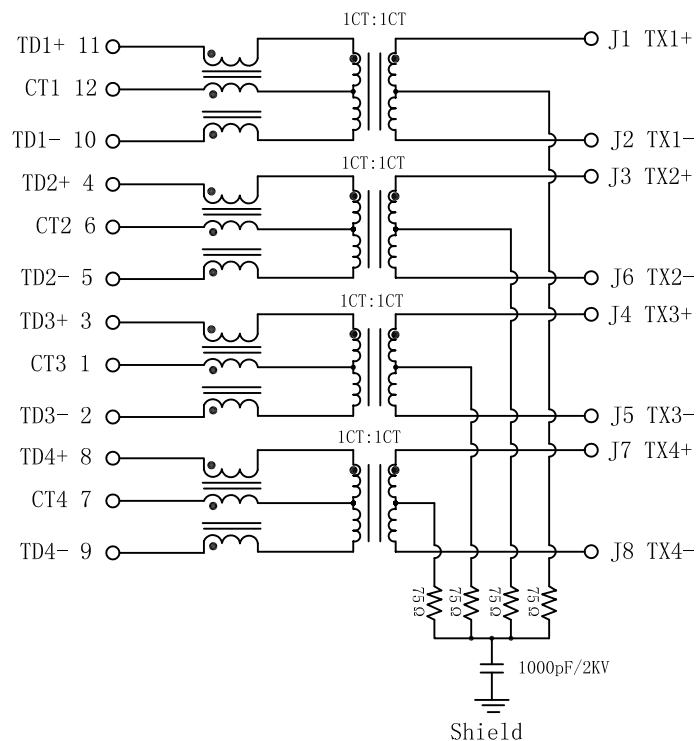


# Schematic:

| REV. | ECN NO. | DESCRIPTION | DATE       | APPD |
|------|---------|-------------|------------|------|
| A    | REL     |             | 2013/06/14 |      |

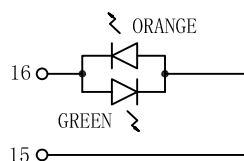
PCB CONNECTIONS



RJ45 CONNECTOR

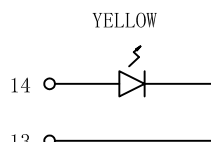
## Electrical Specification @25°C

- Turns Ratio ( $\pm 2\%$ ) : 1CT : 1CT
- OCL: 350uH Min  
@100KHz, 100mVrms, 8mA DC Bias
- Insertion Loss(dB Max):  
0.1~1MHz:-1.1  
1~65MHz:-0.5  
65~100MHz:-0.8  
100~125MHz:-1.2
- Return Loss(dB Min @100 OHMS  $\pm 15\%$ ):  
0.5~40MHz:-18  
40.1~100MHz:-[12+20LOG(f/80MHz)]
- Crosstalk(dB Min):  
1~10MHz:-40  
32~65MHz:-35  
65~100MHz:-30
- CM to CM Rej(dB Min):  
0.1~100MHz:-30
- CM to DM Rej(dB Min):  
0.1~100MHz:-35
- Hipot: 1500Vrms
- Operating Temperature: 0°C ~ +70°C.



LEFT LED

| LED POLARITY |        | COLOR  |
|--------------|--------|--------|
| PIN 15       | PIN 16 |        |
| +            | -      | ORANGE |
| -            | +      | GREEN  |



RIGHT LED

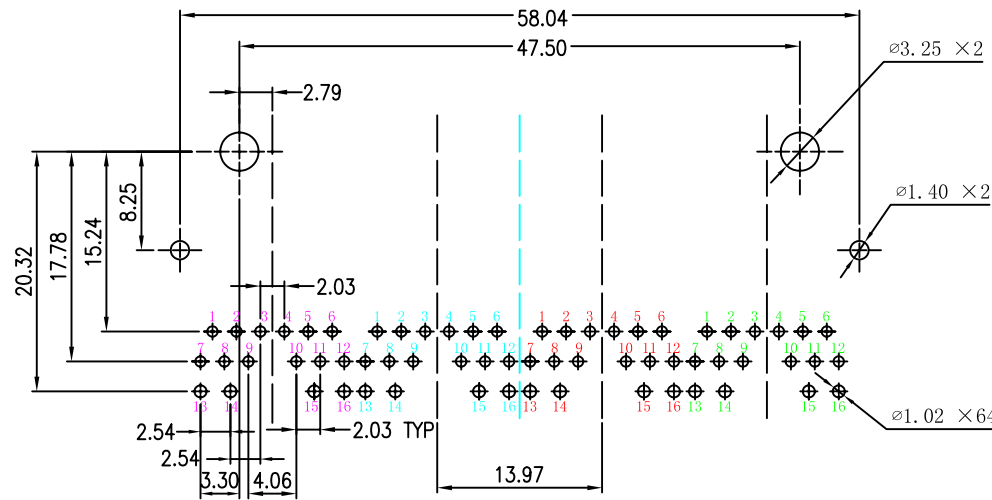
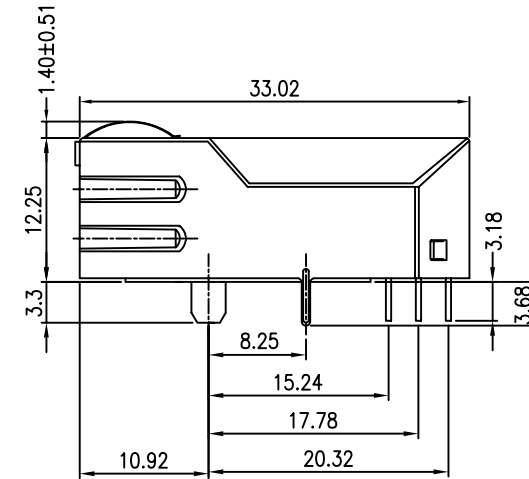
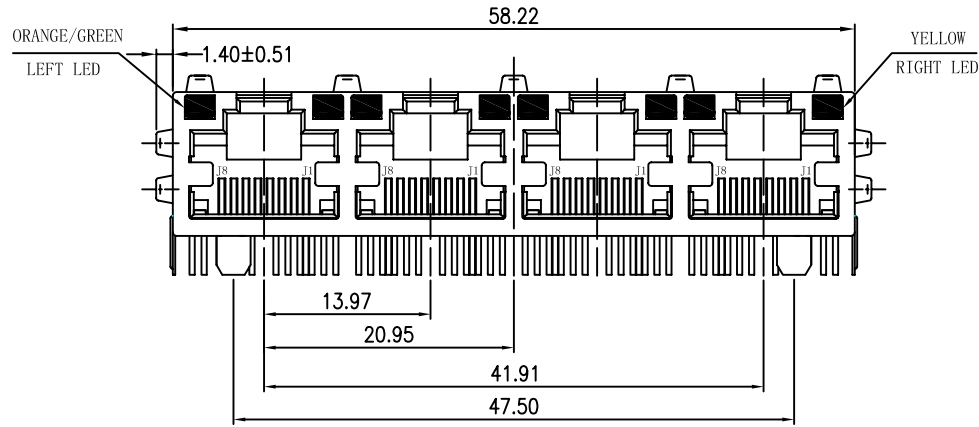
| LED POLARITY |        | COLOR  |
|--------------|--------|--------|
| PIN 14       | PIN 13 |        |
| +            | -      | YELLOW |



|        |               |            |   |                 |
|--------|---------------|------------|---|-----------------|
| X:X    | $\pm 0.20$    | APPD:      | LINK-PP INT'L TECHNOLOGY CO., LIMITED                       |                 |
| X:XX   | $\pm 0.10$    | CHKD:      | TITLE: RJ45 Connector With 1000 Base-TX Integrated Magnetic |                 |
| X:XXX  | $\pm 0.05$    | DR:        | PART NO. : LPJK40036AONL                                    |                 |
| ANGLES | $\pm 1^\circ$ | UNIT: mm   |   |                 |
|        | SCALE: 2/1    | SHEET: 1/2 | REV: A  | DWG: LP13061408 |

# Mechanical:

| REV. | ECN NO. | DESCRIPTION | DATE       | APPD |
|------|---------|-------------|------------|------|
| A    | REL     |             | 2013/06/14 |      |

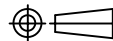


SUGGESTED PCB LAYOUT (TOP VIEW)

## NOTES:

1. Designed to support application, such as SOHO (ADSL modems), LAN-on-Motherboard (LOM), hub and Switches.
2. Meets IEEE 802.3at specification
3. Connector Materials:  
 Housing: Thermoplastic UL94V-0  
 Contact/Shield: Copper alloy  
 Shield plating: Nickel  
 Contact plating: Gold 6 micro-inches min. In contact area.
4. Wave peak temperature: 260°C, 5Sec.



|  |       |            |   |                 |
|--|-------|------------|---|-----------------|
| X:X  | ±0.20 | APPD:      | LINK-PP INT'L TECHNOLOGY CO., LIMITED                       |                 |
| X:XX   | ±0.10 | CHKD:      | TITLE: RJ45 Connector With 1000 Base-TX Integrated Magnetic |                 |
| X:XXX  | ±0.05 | DR: TOM    | PART NO.: LPJK40036AONL                                     |                 |
| ANGLES   | ±1°   | UNIT: mm   | REV: A  |                 |
|  SCALE: 2/1 |       | SHEET: 2/2 |   | DWG: LP13061408 |