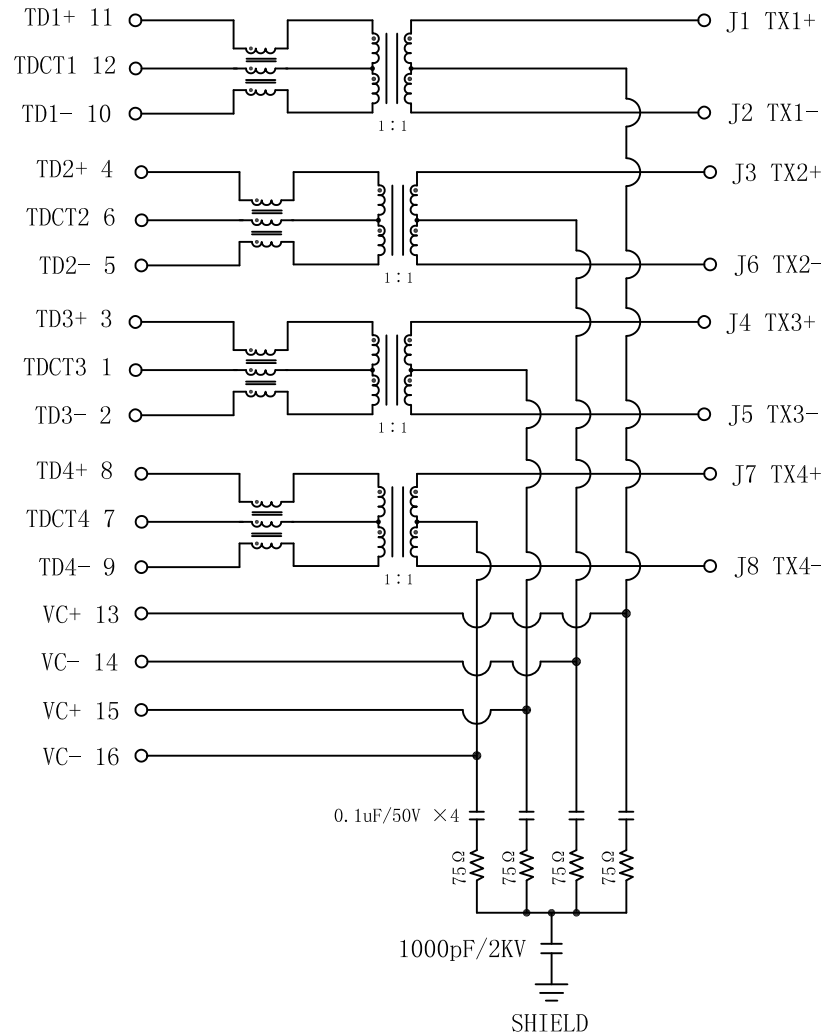


# Schematic:

REV.	ECN NO.	DESCRIPTION	DATE	APPD
A	REL		2014/03/06	

PC BOARD CONNECTIONS



RJ45 CONNECTOR

## Electrical Specifications @25°C

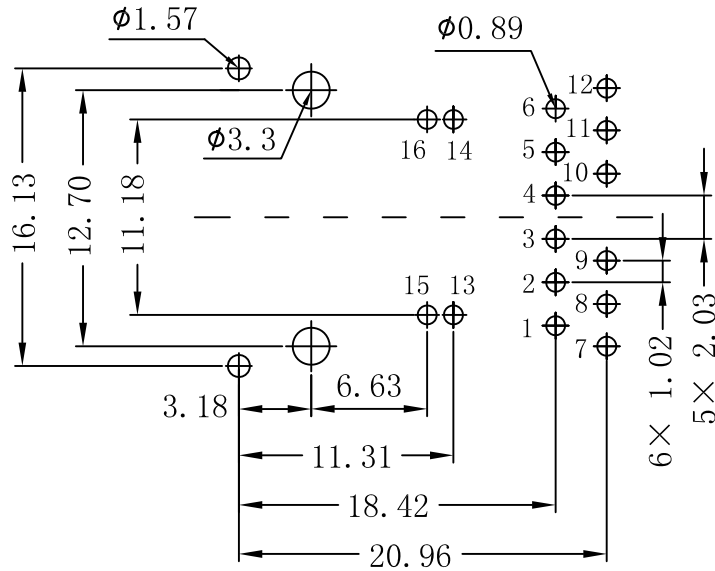
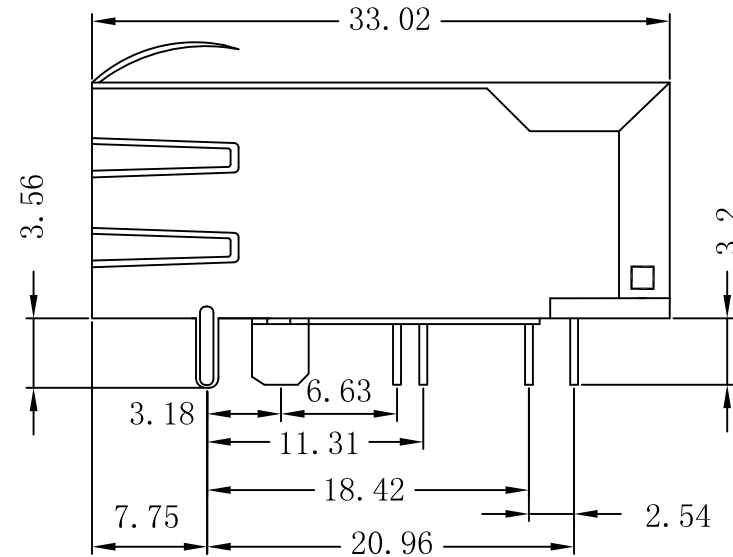
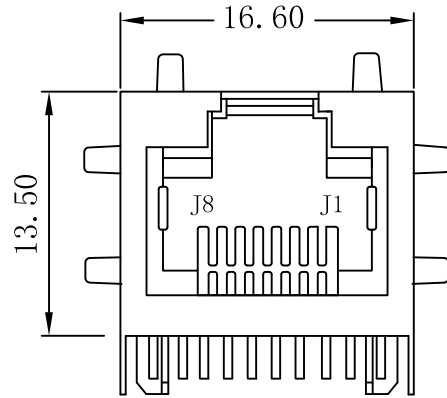
- Inductance: 350uH Min  
@ 100KHz, 0.1V, 8mA DC BIAS
- Turns Ratio(±3%): 1CT : 1CT
- Insertion Loss:  
1-100MHz:-1.1dB Max
- Return Loss:  
1-40MHz:-18dB Min  
60MHz:-14dB Min  
80MHz:-12dB Min  
100MHz:-10dB Min
- Crosstalk:  
1-100MHz:-35dB Typ
- Common Mode Rejection:  
0.1-30MHz:-38dB Typ  
30-60MHz:-35dB Typ  
60-100MHz:-30dB Typ
- Designed for PoE applications with maximum current of 350mA per pair
- Hipot: 1500Vrms Min
- Operating Temperature: 0°C ~ 70°C.



X:X	±0.20	APPD:	LINK-PP INT'L TECHNOLOGY CO., LIMITED	
X:XX	±0.10	CHKD:	TITLE: RJ45 Connector with 1000 Base-TX Integrated Magnetic For PoE Application	
X:XXX	±0.05	DR: TOM	PART NO.: LPJK2072CNL	
ANGLES	±1°	UNIT: mm		
	SCALE: 2/1	SHEET: 1/2	REV: A	DWG NO.: LP14030606

# Mechanical :

REV.	ECN NO.	DESCRIPTION	DATE	APPD
A	REL		2014/03/06	



SUGGESTED PCB LAYOUT (TOP VIEW)



## NOTES:

1. Designed to support application, such as SOHO (ADSL modems), LAN-on-Motherboard (LOM), hub and Switches.
2. Meets IEEE 802.3 specification
3. Connector Materials:  
Housing: Thermoplastic UL94V-0  
Contact/Shield: Copper alloy  
Shield plating: Nickel  
Contact plating: Gold 6 micro-inches min. In contact area.
4. Wave solder tip temperature: 265°C Max  
Wave solder tip temperature time: 5 Sec Max

X:X	±0.20	APPD:	LINK-PP INT'L TECHNOLOGY CO., LIMITED
X:XX	±0.10	CHKD:	
X:XXX	±0.05	DR: TOM	TITLE: RJ45 Connector with 1000 Base-TX Integrated Magnetic For PoE Application
ANGLES	±1°	UNIT: mm	PART NO.: LPJK2072CNL
	SCALE: 2/1	SHEET: 2/2	REV: A DWG NO.: LP14030606