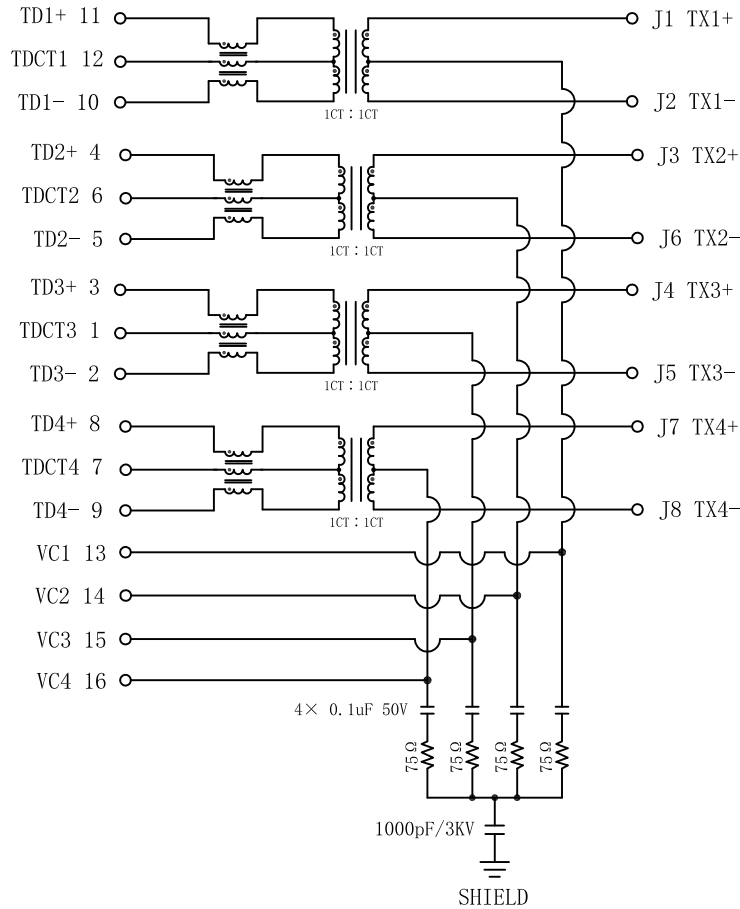


Schematic:

| REV. | ECN NO. | DESCRIPTION | DATE | APPD |
|------|---------|-------------|------------|------|
| A | REL | | 2013-12-26 | |

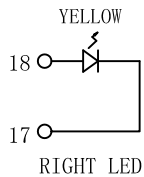
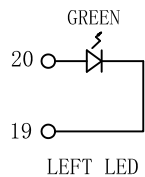
PC BOARD CONNECTIONS



RJ45 CONNECTOR

Electrical Specifications @25°C

- Turns Ratio ($\pm 2\%$):
Pri : Sec = 1CT : 1CT
- Inductance: 350uH Min
@100KHz, 0.1V, 8mA DC BIAS
- Insertion Loss (dB Max):
0.1-1MHz: -1.1 1-65MHz: -0.5
65-100MHz: -0.8 100-125MHz: -1.2
- Return Loss (dB Min):
0.5-40MHz: -18
40-100MHz: -12+20LOG (f/80MHz)
- Crosstalk:
0.1-100MHz: -33+20LOG (f/100MHz) dB Min
- CM TO CM REJ:
0.1-100MHz: -30dB Min
- CM TO DM REJ:
0.1-100MHz: -35dB Min
- Balanced DC Line Current:
700mA Max @57 VDC Continuous
1.2A Max @57 VDC For 200 Milliseconds
- Hipot: 1500Vrms Min @60Hz
- Operating Temperature: 0°C ~ 70°C.

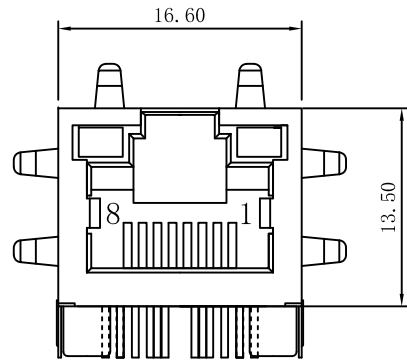


| Emitting Color | λ p(nm) | VF@IF=20mA | IR @VR=5V |
|----------------|-----------------|------------|----------------|
| GREEN | 565 | 1.8~2.4V | 10 μ A max |
| YELLOW | 585 | 1.8~2.4V | 10 μ A max |

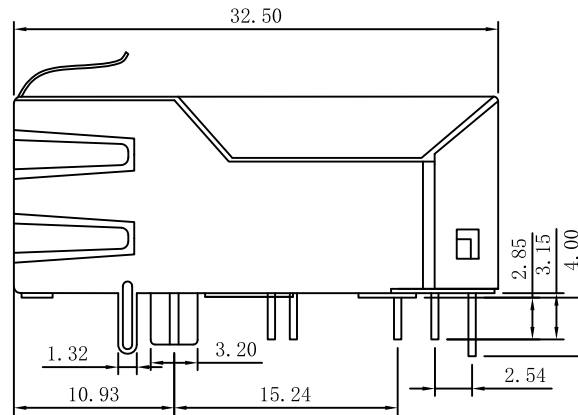
| | | | | |
|--------|---------------|------------|---|----------------------|
| X:X | ± 0.30 | APPD: | LINK-PP INT'L TECHNOLOGY CO., LIMITED | |
| X:XX | ± 0.25 | CHKD: | TITLE: RJ45 Connector with 1000 Base-T Integrated Magnetics For PoE+ Application | |
| X:XXX | ± 0.05 | DR: TOM | PART NO.: LPJK2070AHNL | |
| ANGLES | $\pm 1^\circ$ | UNIT: mm | | |
| | SCALE: 2/1 | SHEET: 1/2 | REV: A | DWG NO.: TRC13122641 |

Mechanical :

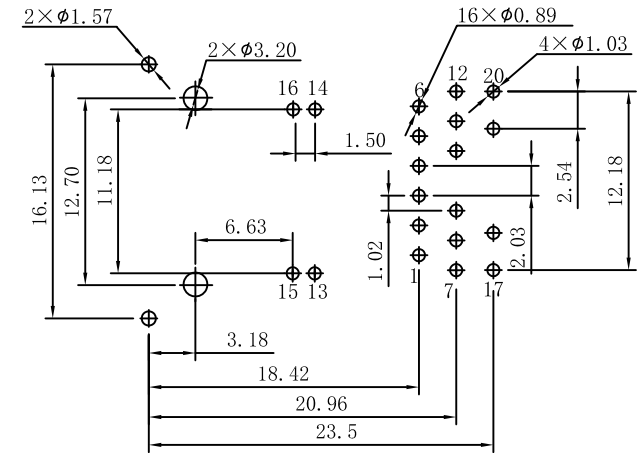
| REV. | ECN NO. | DESCRIPTION | DATE | APPD |
|------|---------|-------------|------------|------|
| A | REL | | 2013-12-26 | |



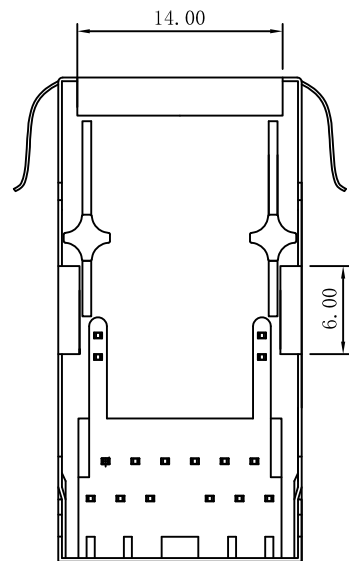
Front Side View



Left Side View



Suggested PCB Layout (Top View)



Bottom Side View



Top Side View

NOTES:

1. Designed to support application, such as SOHO (ADSL modems), LAN-on-Motherboard (LOM), hub and Switches.
2. Meets IEEE 802.3at specification
3. Connector Materials:
 Housing Material: Thermoplastic PBT+30%G.F UL94V-0
 Contact Material: Phosphor Bronze C5210R-EH Thickness=0.35mm
 Pins: Brass C2680R-H Thickness=0.35mm
 Shield: Copper alloy Brass H65Y Thickness=0.2mm
 Contact plating: Gold 6 micro-inches min. In contact area.
4. Wave solder tip temperature: 265°C Max, 5 Sec.
5. UL Certification: File Number E484635.

| | | | | |
|--------|-------|------------|---|--------|
| X:X | ±0.30 | APPD: | LINK-PP INT'L TECHNOLOGY CO., LIMITED | |
| X:XX | ±0.25 | CHKD: | TITLE: RJ45 Connector with 1000 Base-T Integrated Magnetics For PoE+ Application | |
| X:XXX | ±0.05 | DR: TOM | PART NO.: LPJK2070AHNL | |
| ANGLES | ±1° | UNIT: mm | DWG NO.: TRC13122641 | |
| | | SCALE: 2/1 | SHEET: 2/2 | REV: A |