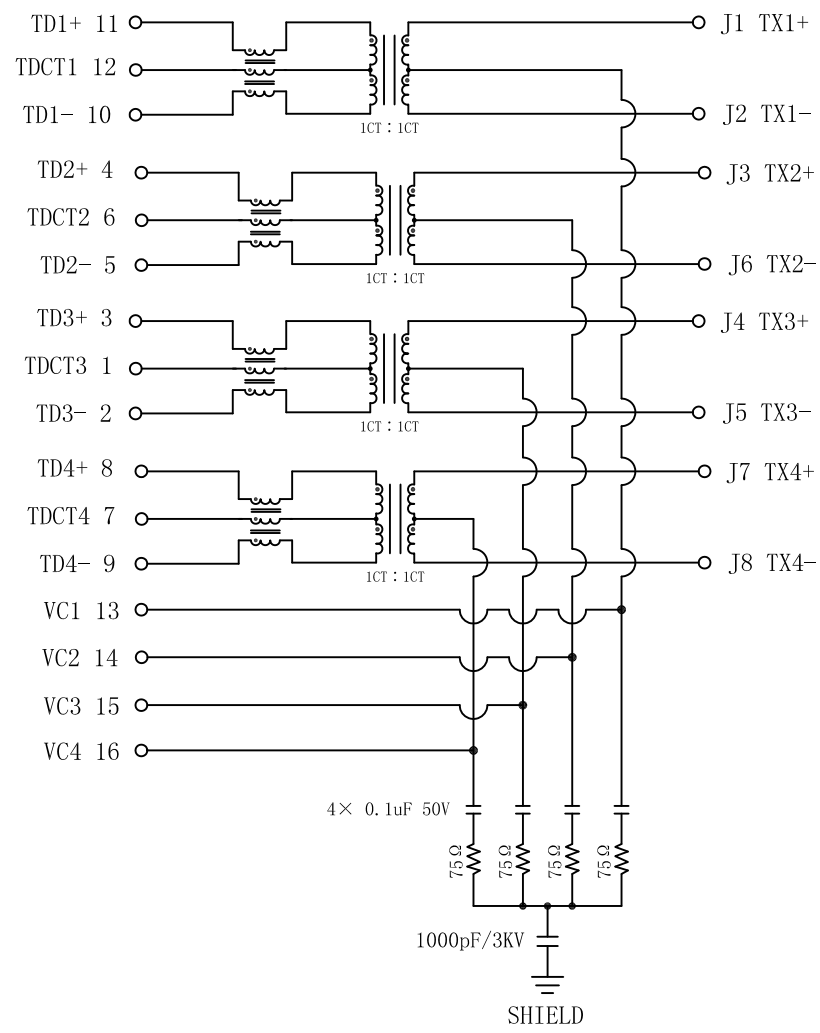


Schematic:

REV.	ECN NO.	DESCRIPTION	DATE	APPD
A	REL		2014/03/25	

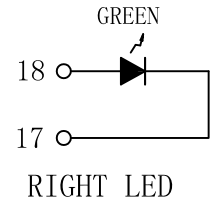
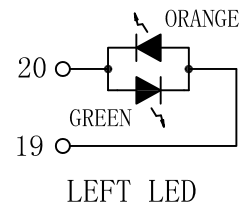
PC BOARD CONNECTIONS



RJ45 CONNECTOR

Electrical Specifications @25°C

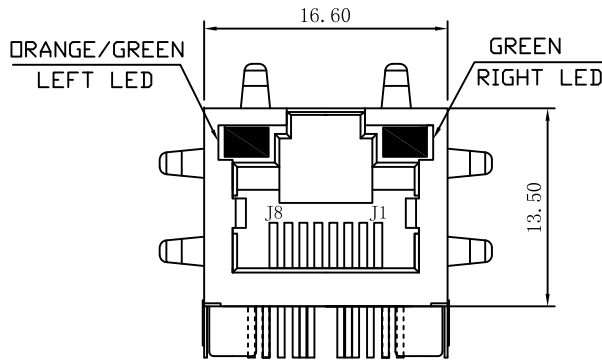
- Inductance: 350uH Min @ 100KHz, 0.1V, 8mA DC BIAS
- Turns Ratio(±2%):
TX=1CT : 1CT RX=1CT : 1CT
- Insertion Loss(dB Max):
0.1-1MHz:-1.1 1-65MHz:-0.5
65-100MHz:-0.8 100-125MHz:-1.2
- Return Loss(dB Min):
0.5-40MHz:-18
40-100MHz:-[12+20LOG(f/80MHz)]
- Crosstalk:
0.1-100MHz:-[33+20LOG(f/100MHz)]dB Min
- CM TO CM REJ:
0.1-100MHz:-30dB Min
- CM TO DM REJ:
0.1-100MHz:-35dB Min
- Balanced DC Line Current:
700mA Max @57 VDC Continuous
1.2A Max @57 VDC For 200 Milliseconds
- Hipot:1500Vrms Min @60Hz
- Operating Temperature: 0°C~70°C.



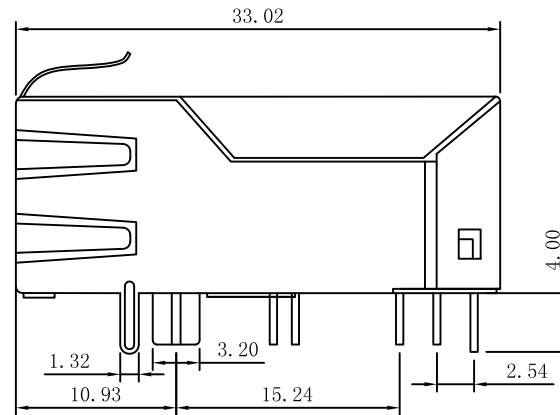
X:X	±0.30	APPD:	LINK-PP INT'L TECHNOLOGY CO., LIMITED
X:XX	±0.20	CHKD:	
X:XXX	±0.10	DR: TOM	TITLE: RJ45 Connector With 1000 Base-TX Integrated Magnetic For PoE+ Application
ANGLES	±1°	UNIT: mm	PART NO.: LPJK2070A53NL
	SCALE: 2/1	SHEET: 1/2	REV: A DWG NO.: LP14032501

Mechanical :

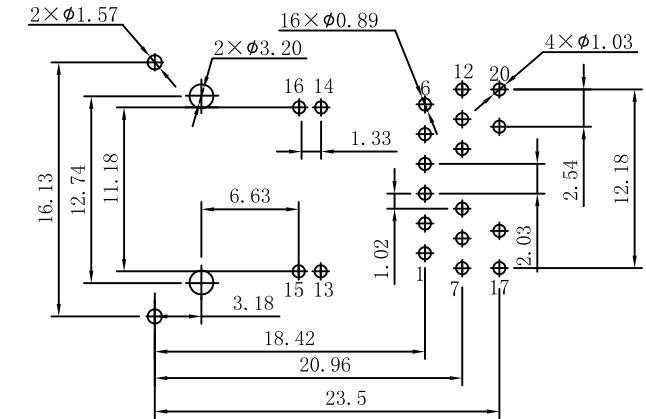
REV.	ECN NO.	DESCRIPTION	DATE	APPD
A	REL		2014/03/25	



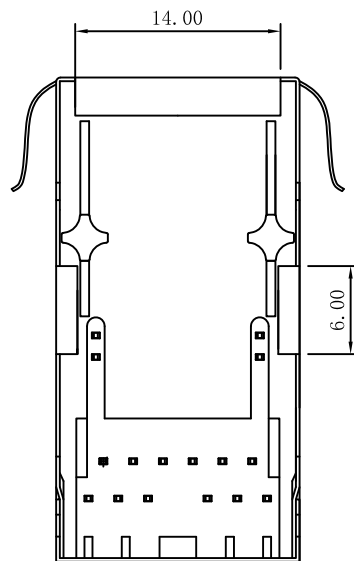
Front Side View



Left Side View



Suggested PCB Layout (Top View)



Bottom Side View



NOTES:

1. Designed to support application, such as SOHO (ADSL modems), LAN-on-Motherboard (LOM), hub and Switches.
2. Meets IEEE 802.3at specification
3. Connector Materials:
 Housing: Thermoplastic UL94V-0
 Contact/Shield: Copper alloy
 Shield plating: Nickel
 RJ-45 Contact plating: Gold 6 micro-inches min. In contact area
4. Wave solder tip temperature: 265°C Max.
 Wave solder tip temperature time: 5 Sec Max.
5. UL Certification: File Number E321120.

X:X	±0.30	APPD:	LINK-PP INT'L TECHNOLOGY CO., LIMITED
X:XX	±0.20	CHKD:	
X:XXX	±0.10	DR: TOM	TITLE: RJ45 Connector With 1000 Base-TX Integrated Magnetic For PoE+ Application
ANGLES	±1°	UNIT: mm	PART NO.: LPJK2070A53NL
	SCALE: 2/1	SHEET: 2/2	REV: A DWG NO.: LP14032501