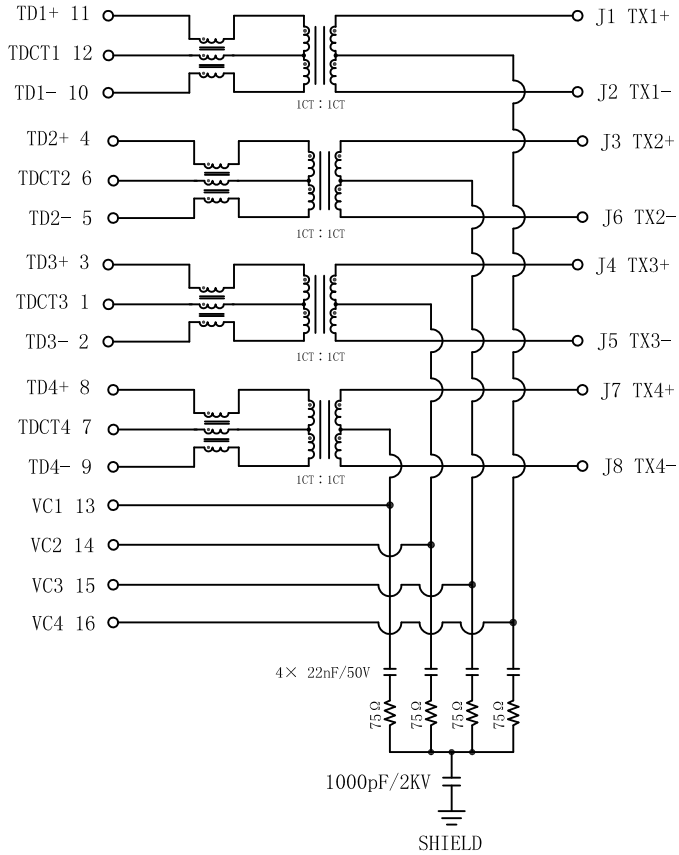


Schematic:

REV.	ECN NO.	DESCRIPTION	DATE	APPD
A	REL		2011/09/01	

PC BOARD CONNECTIONS

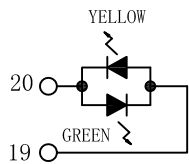


RJ45 CONNECTOR

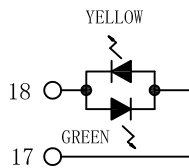
Electrical Specifications @25°C

- Inductance (@100KHz, 100mVAC, 18mADC):
J1-J2, J3-J6: 350uH Min
- Turns Ratio ($\pm 2\%$):
1CT : 1CT
- Insertion Loss:
1~100MHz: -1.0 dB Max
- Return Loss (dB Min):
1~10MHz: -20 30MHz: -16
60~80MHz: -12 80~100MHz: -10
- Crosstalk (dB Min):
1~100MHz: -40 32~65MHz: -35
65~100MHz: -30
- Common Mode Rejection (dB Min):
1~125MHz: -30
125~500MHz: -20
- Hipot: 1500Vrms Min @60Hz
- Operating Temperature: 0°C ~ 70°C.
- Designed to handle 600mADC and meet 802.3at.

Emitting Color	λ p(nm)	VF@IF=20mA	IR @VR=5V
GREEN	565	1.8~2.6V	10 μ A max
YELLOW	585	1.8~2.6V	10 μ A max



LEFT LED



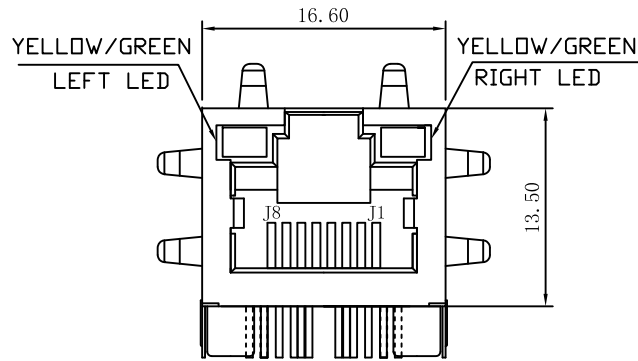
RIGHT LED



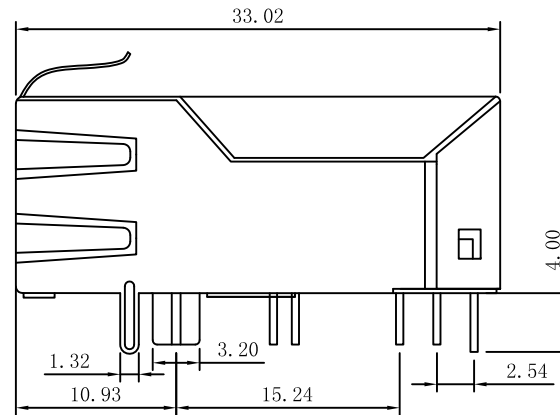
X:X	± 0.30	APPD:	LINK-PP INT'L TECHNOLOGY CO., LIMITED
X:XX	± 0.25	CHKD:	
X:XXX	± 0.10	DR: TOM	TITLE: RJ45 Connector With 10/100 Base-TX Integrated Magnetic For PoE+ Application
ANGLES	$\pm 1^\circ$	UNIT: mm	PART NO.: LPJK2067A47NL
	SCALE: 2/1	SHEET: 1/2	REV: A
			DWG NO.: LP11090132

Mechanical :

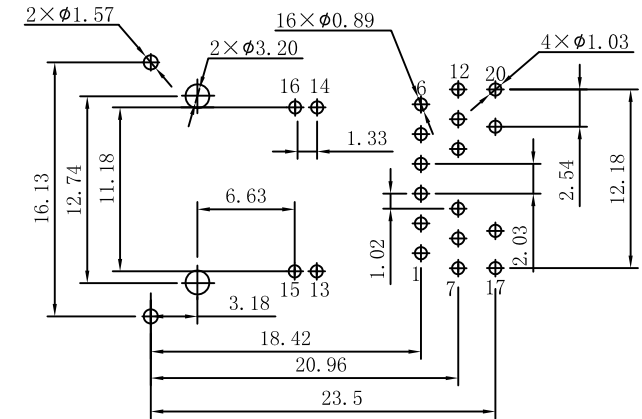
REV.	ECN NO.	DESCRIPTION	DATE	APPD
A	REL		2011/09/01	



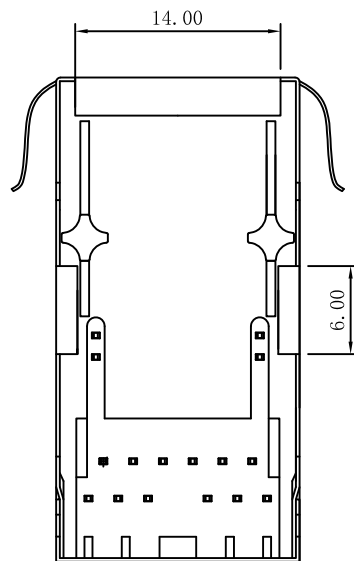
Front Side View



Left Side View



Suggested PCB Layout (Top View)



Bottom Side View



NOTES:

1. Designed to support application, such as SOHO (ADSL modems), LAN-on-Motherboard (LOM), hub and Switches.
2. Meets IEEE 802.3at specification
3. Connector Materials:
 Housing: Thermoplastic UL94V-0
 Contact/Shield: Copper alloy
 Shield plating: Nickel
 RJ-45 Contact plating: Gold 6 micro-inches min. In contact area
4. Wave solder tip temperature: 265°C Max., 5 Sec Max.

X:X	±0.30	APPD:	LINK-PP INT'L TECHNOLOGY CO., LIMITED
X:XX	±0.25	CHKD:	
X:XXX	±0.10	DR: TOM	TITLE: RJ45 Connector With 1000 Base-TX Integrated Magnetic For PoE+ Application
ANGLES	±1°	UNIT: mm	PART NO.: LPJK2067A47NL
	SCALE: 2/1	SHEET: 2/2	REV: A DWG NO.: LP11090132