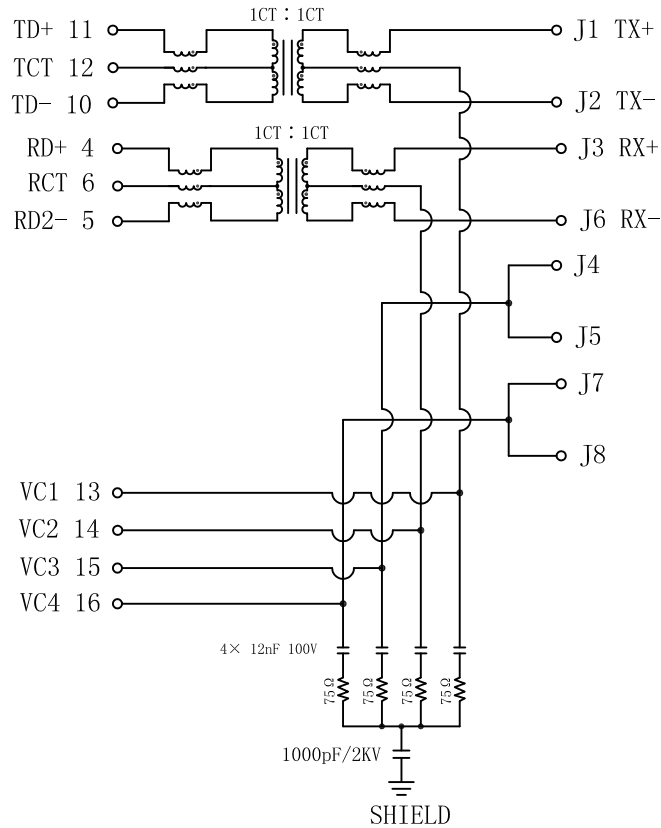


# Schematic:

REV.	ECN NO.	DESCRIPTION	DATE	APPD
A	REL		2011/09/01	

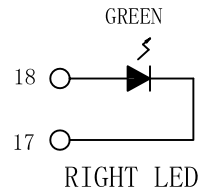
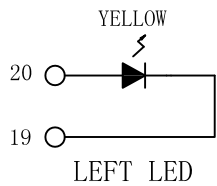
PC BOARD CONNECTIONS



RJ45 CONNECTOR

## Electrical Specifications @25°C

- Inductance (@100KHz, 100mVAC, 18mADC):  
J1-J2, J3-J6: 350uH Min
- Turns Ratio ( $\pm 2\%$ ):  
TX=1CT : 1CT      RX=1CT : 1CT
- Insertion Loss:  
1~100MHz:-1.0 dB Max
- Return Loss (dB Min):  
1~30MHz:-18      30~45MHz:-16  
45~60MHz:-14      60~80MHz:-12
- Crosstalk:  
1~100MHz:-30dB Typ
- Common Mode Rejection:  
1~100MHz:-35dB Min  
100~500MHz:-25dB Min
- Hipot: 1500Vrms Min @60Hz
- Operating Temperature: 0°C~70°C.
- Designed to handle 600mADC and meet 802.3at.

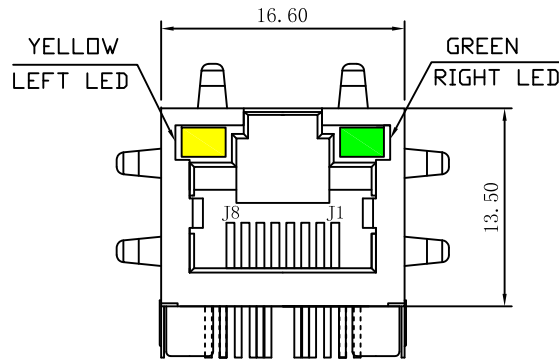


Emitting Color	$\lambda$ p(nm)	VF@IF=20mA	IR @VR=5V
GREEN	565	1.8~2.6V	10 $\mu$ A max
YELLOW	585	1.8~2.6V	10 $\mu$ A max

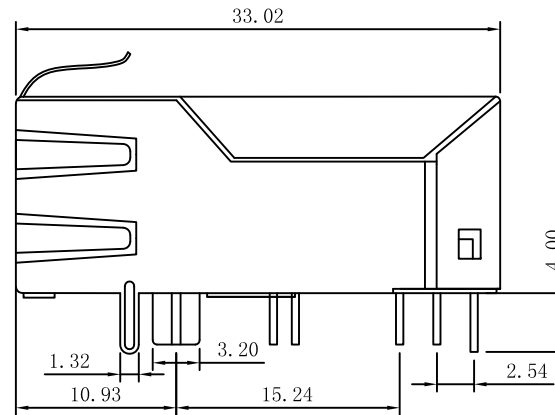
X:X	$\pm 0.30$	APPD:	LINK-PP INT'L TECHNOLOGY CO., LIMITED
X:XX	$\pm 0.25$	CHKD:	
X:XXX	$\pm 0.10$	DR: TOM	TITLE: RJ45 Connector With 10/100 Base-TX Integrated Magnetic For PoE+ Application
ANGLES	$\pm 1^\circ$	UNIT: mm	PART NO.: LPJK2002AGNL
	SCALE: 2/1	SHEET: 1/2	REV: A      DWG NO.: LP11090107

# Mechanical :

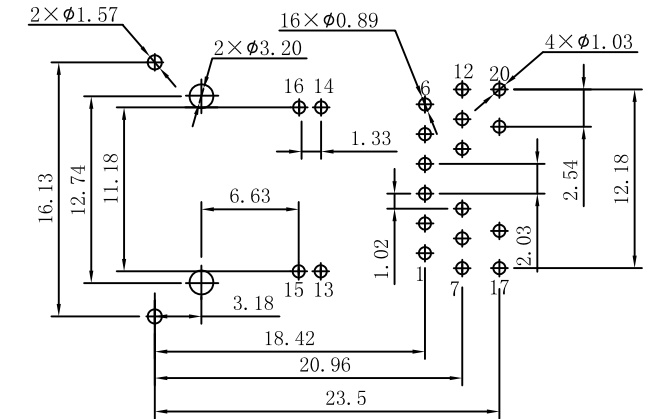
REV.	ECN NO.	DESCRIPTION	DATE	APPD
A	REL		2011/09/01	



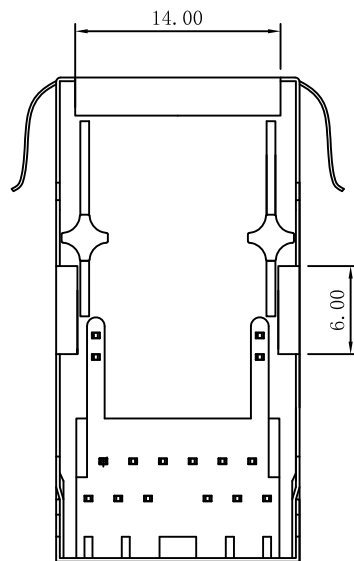
Front Side View



Left Side View



Suggested PCB Layout (Top View)



Bottom Side View

## NOTES:

1. Designed to support application, such as SOHO (ADSL modems), LAN-on-Motherboard (LOM), hub and Switches.
2. Meets IEEE 802.3at specification
3. Connector Materials:  
 Housing: Thermoplastic UL94V-0  
 Contact/Shield: Copper alloy  
 Shield plating: Nickel  
 RJ-45 Contact plating: Gold 6 micro-inches min. In contact area
4. Wave solder tip temperature: 265°C Max., 5 Sec Max.

X:X	±0.30	APPD:	LINK-PP INT'L TECHNOLOGY CO., LIMITED
X:XX	±0.25	CHKD:	
X:XXX	±0.10	DR: TOM	TITLE: RJ45 Connector With 1000 Base-TX Integrated Magnetic For PoE+ Application
ANGLES	±1°	UNIT: mm	PART NO.: LPJK2002AGNL
	SCALE: 2/1	SHEET: 2/2	REV: A DWG NO.: LP11090107